

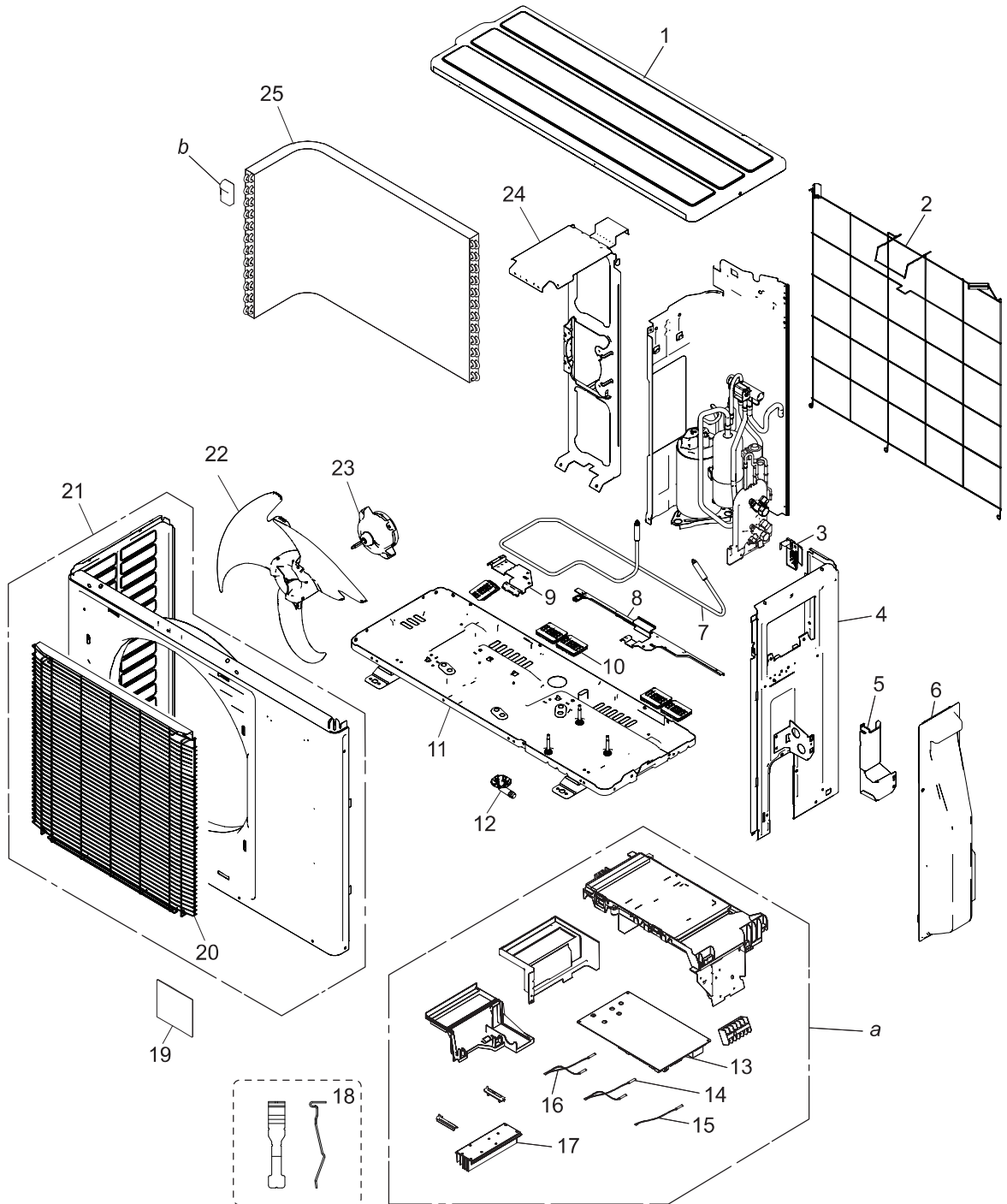
3. Outdoor unit parts list

3-1. Models: AOUG09LZAH1, AOUG12LZAH1, and AOUG15LZAH1

■ Exterior parts and chassis

TECHNICAL DATA
AND PARTS LIST

TECHNICAL DATA
AND PARTS LIST

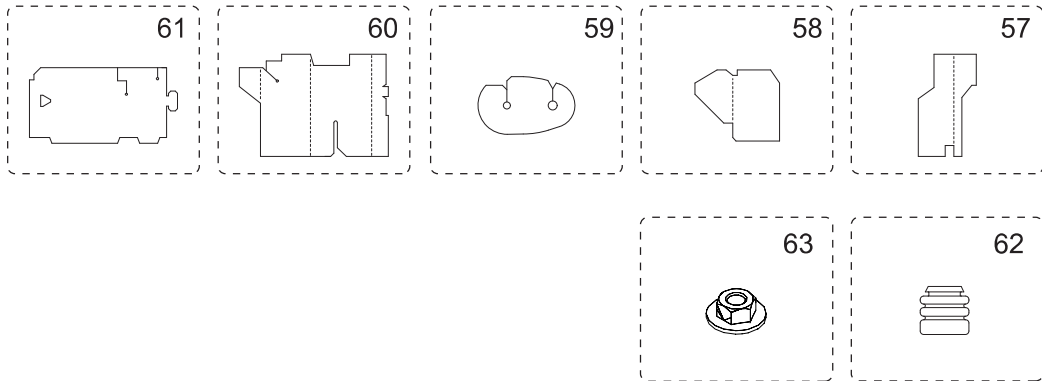
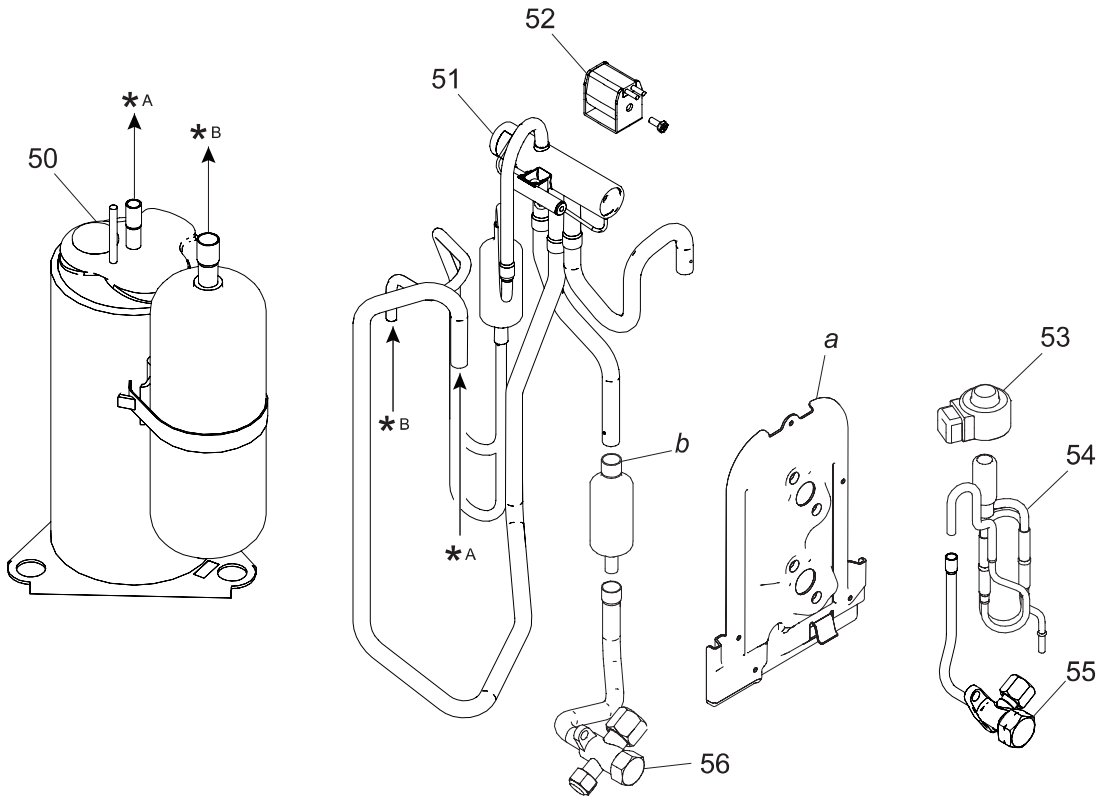


| Item no. | Part no. | Part name | Service part |
|----------|------------|--|--------------|
| 1 | 9322556028 | Top panel assy | ◆ |
| 2 | 9377854001 | Protective net assy | ◆ |
| 3 | 9322327000 | Thermistor holder | ◆ |
| 4 | 9322552242 | Cabinet right assy | ◆ |
| 5 | 9384276001 | Conduit cover | ◆ |
| 6 | 9322570062 | Switch cover assy | ◆ |
| 7 | 9901059025 | Heater base | ◆ |
| 8 | 9323540019 | Heater holder A | ◆ |
| 9 | 9323541016 | Heater holder B | ◆ |
| 10 | 9383720000 | Drain cap assy | ◆ |
| 11 | 9323550025 | Base assy | ◆ |
| 12 | 9322144003 | Drain pipe | ◆ |
| 13 | 9709684009 | Main PCB (for 09 model) | ◆ |
| | 9709684016 | Main PCB (for 12 model) | ◆ |
| | 9709684023 | Main PCB (for 15 model) | ◆ |
| 14 | 9900935054 | Thermistor assy | ◆ |
| 15 | 9900985011 | Thermistor assy (Compressor temp.) | ◆ |
| 16 | 9900565060 | Thermistor assy (Outdoor temp.) | ◆ |
| 17 | 9322420039 | Heat sink | ◆ |
| 18 | 9810028006 | Thermistor stopper | ◆ |
| 19 | 9317903011 | Emblem | ◆ |
| 20 | 9384273000 | Fan Guard | ◆ |
| 21 | 9322555182 | Front panel assy | ◆ |
| 22 | 9322150004 | Propeller fan | ◆ |
| 23 | 9603601003 | Brushless motor | ◆ |
| 24 | 9322553027 | Motor bracket assy | ◆ |
| 25 | 9317089616 | Condenser total assy (for 09-12 model) | ◆ |
| | 9317089654 | Condenser total assy (for 15 model) | ◆ |
| <i>a</i> | — | Inverter assy | — |
| <i>b</i> | — | Hair pin cushion | — |

Compressor

TECHNICAL DATA
AND PARTS LIST

TECHNICAL DATA
AND PARTS LIST



| Item no. | Part no. | Part name | Service part |
|----------|------------|------------------------------------|--------------|
| 50 | 9810542007 | Compressor (for 09-12 model) | ◆ |
| | 9810541000 | Compressor (for 15 model) | ◆ |
| 51 | 9322446015 | 4-way valve assy | ◆ |
| 52 | 9970194023 | Solenoid | ◆ |
| 53 | 9970173028 | Expansion valve coil | ◆ |
| 54 | 9322463029 | Pulse motor valve assy | ◆ |
| 55 | 9322474001 | 2-way valve assy | ◆ |
| 56 | 9322850010 | 3-way valve assy (for 09-12 model) | ◆ |
| | 9387831016 | 3-way valve assy (for 15 model) | ◆ |
| 57 | 9322824004 | S-insulator K | ◆ |
| 58 | 9323045002 | S-insulator V | ◆ |
| 59 | 9322501004 | S-insulator H | ◆ |
| 60 | 9322847003 | S-insulator F | ◆ |
| 61 | 9322503008 | S-insulator B | ◆ |
| <i>a</i> | — | Valve bracket | — |
| <i>b</i> | — | Muffler | — |

TECHNICAL DATA
AND PARTS LISTTECHNICAL DATA
AND PARTS LIST