



PeerlessBoilers.com

Peerless® PUREFIRE®

PF-200, PF-210, PF-300, PF-399 & PF-460

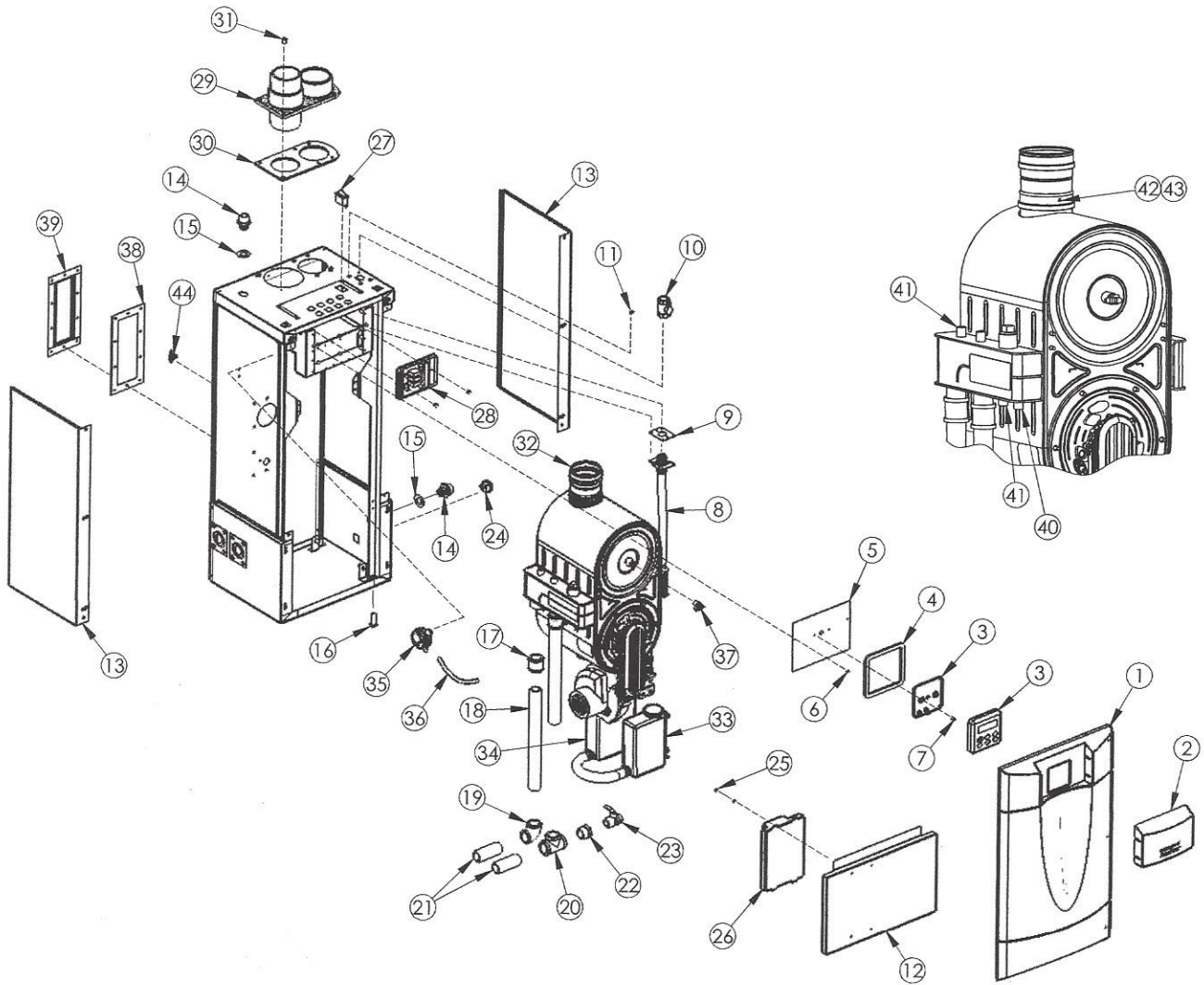
All repair parts orders - no minimum charges.

Please order with code number.

All prices quoted are in U.S. dollars.

All prices subject to change without notice.

All prices F.O.B. Bally, PA



PF-200, PF-210, PF-300, PF-399 & PF-460



PeerlessBoilers.com

Peerless® PUREFIRE®

PF-200, PF-210, PF-300, PF-399 & PF-460

All repair parts orders - no minimum charges.

Please order with code number.

All prices quoted are in U.S. dollars.

All prices subject to change without notice.

All prices F.O.B. Bally, PA

	Description	Quantity Required	Stock Code
1	Panel, Jacket Front Door, with Ball Studs	1	54256
2	Lens for Jacket Front Door	1	54167
3	Display Module, Argus 852RC (obsolete)	1	54281
	Display Module, Argus 852RC (PF-50- 399)	1	54513
	Display Module, Argus 852RC (PF-300)	1	54683
4	Gasket for Display Bracket	1	54513
5	Bracket for Display Module	1	PF2007-1
6	Hex Nut, #6-32 with Lock washer, (Local Hdwr Supply)	2	-
7	Screw, #6-32 x 1/2" LG Phillips Head, (Local Hdwr Supply)	2	-
8	Flexible Gas Line - 3/4" - PF-210 Low Pressure Kit	1	54497
	Flexible Gas Line - 3/4" - PF-399	1	54262
9	Gasket for Gas Line (obsolete)	1	54142
10	Manual Shut-off Valve, 3/4" NPT , Full Port	1	51805
11	Screw, #10 x 1/2" LG Hex. Hd., (Local Hdwr Supply)	2	-
12	Jacket, Lower Front Panel	1	PF6051
13	Jacket Side Panel - PF-210	1	54244
	Jacket Side Panel - PF-399	1	54245
14	Bulk Head Fitting for Condensate Hose	1	54140
15	Gasket for Bulk Head Fitting	1	54134
16	Leg Leveler	4	5429
17	Coupling, 1" NPT Brass, (Local Hdwr Supply) - PF-200- 210	2	5534
	Coupling, 1-1/2" NPT Brass, (Local Hdwr Supply) - PF-300-399	2	5551
18	Nipple, 1" NPT x 14" LG Brass , (Local Hdwr Supply) - PF-200- 210	2	5557
	Nipple, 1-1/2" NPT x 14" LG Brass, (Local Hdwr Supply) - PF-300-399	2	5550
19	Elbow, 1" NPT Brass, (Local Hdwr Supply) - PF-200- 210	1	5558
	Elbow, 1-1/2" NPT Brass, (Local Hdwr Supply) - PF-300-399	1	5553
20	Tee, 1" NPT Brass, (Local Hdwr Supply) - PF-200- 210	1	5537
	Tee, 1-1/2" NPT Brass, (Local Hdwr Supply) - PF-300-399	1	5554
21	Nipple, 1" NPT x 3" Brass, (Local Hdwr Supply) - PF-200- 210	2	5559
	Nipple, 1-1/2" NPT x 3" Brass, (Local Hdwr Supply) - PF-300-399	2	5552
22	Reducing Bushing, 1" x 3/4" NPT Brass, (Local Hdwr Supply) - PF-200- 210	1	-
	Reducing Bushing, 1-1/2" x 3/4" NPT Brass, (Local Hdwr Supply) - PF-300-399	1	-
23	Shut-off Valve, 3/4" NPT Brass, (Local Hdwr Supply)	1	50764
N/S	Nipple, 3/4" NPT x 16" LG Brass, Replaced by 3/4 plug (BRS)	1	-
24	Convenience Outlet, (Local Hdwr Supply)	1	-
25	Hex. Nut, #8-32 with Lockwasher, (Local Hdwr Supply)	4	-
26	Control Module, 852MN - PF-200	1	54685
	Control Module, 852MN - PF-210	1	54287
	Control Module, 852MN - PF-300	1	54683
	Control Module, 852MN - PF-399	1	54287
N/S	3.15A. 250V 5x20mm Slow-Blow Glass Fuse, Radio Shack-270-1067	1	-
27	Rocker Switch (20A., 120 VAC, (Local Hdwr Supply)	1	6050
28	Relay RIBMU1C, Obsolete	1	54549
	Pump Isolation Relay Module, RIBMU2C Obsolete	1	54550
	Pump Isolation Relay Module, Obsolete	1	54437
	Pump Isolation Relay Module Kit , Includes harness	1	54610
N/S	10-Amp 125V 5x20mm Slow Blow Fuse, Radio Shack-270-152	-	-



PeerlessBoilers.com

Peerless® PUREFIRE®

PF-200, PF-210, PF-300, PF-399 & PF-460

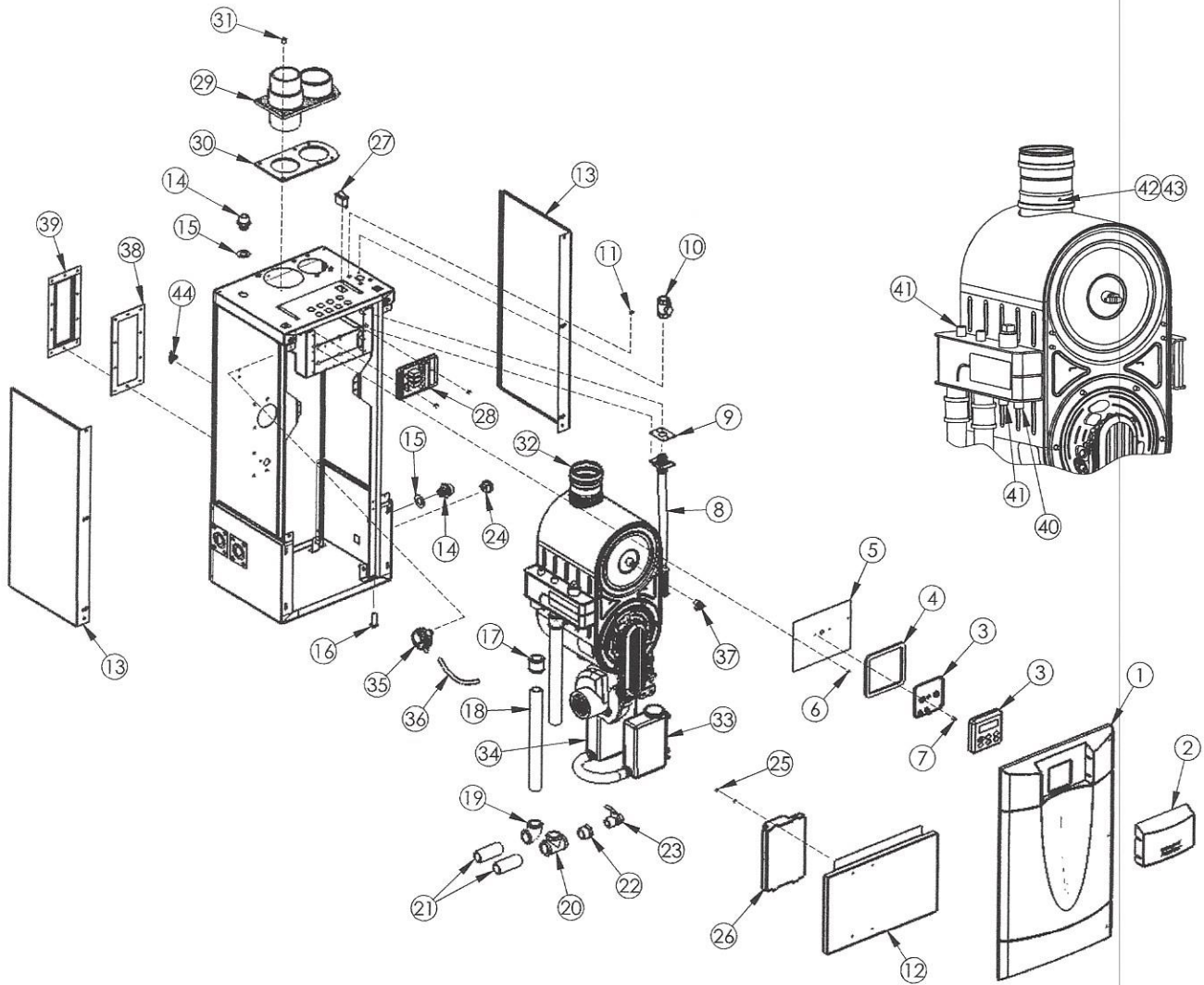
All repair parts orders - no minimum charges.

Please order with code number.

All prices quoted are in U.S. dollars.

All prices subject to change without notice.

All prices F.O.B. Bally, PA



PF-200, PF-210, PF-300, PF-399 & PF-460



PeerlessBoilers.com

Peerless® PUREFIRE®

PF-200, PF-210, PF-300, PF-399 & PF-460

All repair parts orders - no minimum charges.

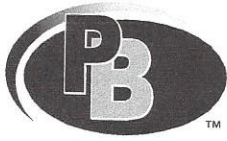
Please order with code number.

All prices quoted are in U.S. dollars.

All prices subject to change without notice.

All prices F.O.B. Bally, PA

	Description	Quantity Required	Stock Code
29	Vent / Air Adapter, 3" – PF-210, (Earlier Models, Obsolete, 7/11)	1	54200
	Vent / Air Adapter, 4" – PF-399, Earlier Models, Obsolete, 7/11	1	54201
	Vent / Air Stub Adapter, 3" – PF-210	1	54293
	Vent / Air Stub Adapter, 4" – PF-399	1	54294
30	Gasket, Vent Adapter, 3" – PF-50/210	1	54133
	Gasket, Vent Adapter, 4" – PF-399	1	54217
31	Screw, #10 x 3/4" LG Phillips Pan Hd. Type A Zinc, (Local Hdwr Supply)	6	5611
32	Heat Exchanger Outlet Collar, 3" – PF-210	1	5531
	Heat Exchanger Outlet Collar, 4" – PF-399	1	5532
N/S	Vent Stub, 3" – PF-210, (Earlier Models, Obsolete, 7/11)	1	54221
	Vent Stub, 4" – PF-399, (Earlier Modles, Obsolete, 7/11)	1	54220
33	Condensate Neutralizer Assembly	1	54204
34	Condensate Receiver Assembly	1	54259
35	Blocked Vent Switch Kit includes items 36 & 37	1	54260
36	1/4" ID Tubing x 12" Long, (Local Hdwr Supply)	1	5697
37	90° Barbed Elbow Polyethylene Adapter Fitting, 1/4 NPT X 1/4 Barb	1	5698
N/S	Thermal Tempeture Limit, 435F – Burner Plate (Not Shown)	1	50045
38	Gasket for Thermal Temperature	1	5698
39	Cover Plate for Thermal Temperature Limit	1	5532
40	Hi Limit Switch Tasseron TSDS950	1	54419
41	Supply/Return Sensor, 12kOhm Tasseron TSD00BS	2	54418
42	Flue Sensor Grommet	1	54291
43	Flue Sensor, 12kOhm Tasseron TSDZ0B0	1	54209
44	Thermal Temperature Limit, 605 F	1	54475
N/S	Wiring Harness, Power (Right Terminal Block)	1	PF7022
N/S	Wiring Harness, Power (Right Terminal Block) used w/ 4 pole relay	1	54629
N/S	Wiring Harness, Control (Left Terminal Block)	1	PF7021
N/S	Wiring Harness, Gas Valve & Flame Sensor	1	PF7023
N/S	Wiring Harness, Ground Wire	1	PF7024
N/S	Push-on Terminal Block (Field Wiring) 10-pole	2	5450
N/S	Push-on Terminal Block (Field Wiring) 6-pole	2	5547
N/S	Ignition Cable	1	54298
N/S	Relief Valve, (Local Hdwr Supply)	1	50664
N/S	Supply Sensor/Switch, 12kOhm Tasseron Kit, (units Prior to 10/2010)	1	54299
N/S	Harness PF210/399 Split Sensor / Limit Adapter	1	54421
N/S	DHW Sensor, Optional (PP Partner) 12kOhm Tasseron TSK1 0BH	1	54157
N/S	DHW Sensor, Optional (PT Partner) 12kOhm Tasseron TSK10B7	1	54478
N/S	DHW Sensor, Optional (Amtrol) 12kOhm Tasseron TSK10B7	1	54158
N/S	System Sensor, 12kOhm Tasseron TSA00BC	1	54156
N/S	Outdoor Sensor, 12kOhm Tasseron TSA00B4	1	54112
Optional items			
N/S	PFA-1 Interface Board Kit	1	54271
N/S	Adapter Interface Board PFA-1 ARGUS 852IF-3R-0	1	54270
N/S	Low Voltage Stub Harness	1	PF7027
N/S	Line Voltage Stub Harness	1	PF7028
N/S	Analog Input Stub Harness (Rev 0 & 1) Obs 4/10	1	PF7031
N/S	ModBus Stub Harness	1	PF7030
Miscellaneous			
N/S	4" 304 Stainless Steel Vent Screen	2	54213
N/S	320°F 0-75# 2-1/2 Round Gauge, Howe	1	51324
N/S	Stand (PureFire)	1	91400
N/S	Conversion Kit PF-200 to PFW-200 (Domestic)	1	91177
N/S	Conversion Kit PF-300 to PFW-300 (Domestic)	1	91178



PeerlessBoilers.com

Peerless® PUREFIRE®

PF-200, PF-210, PF-300, PF-399 & PF-460

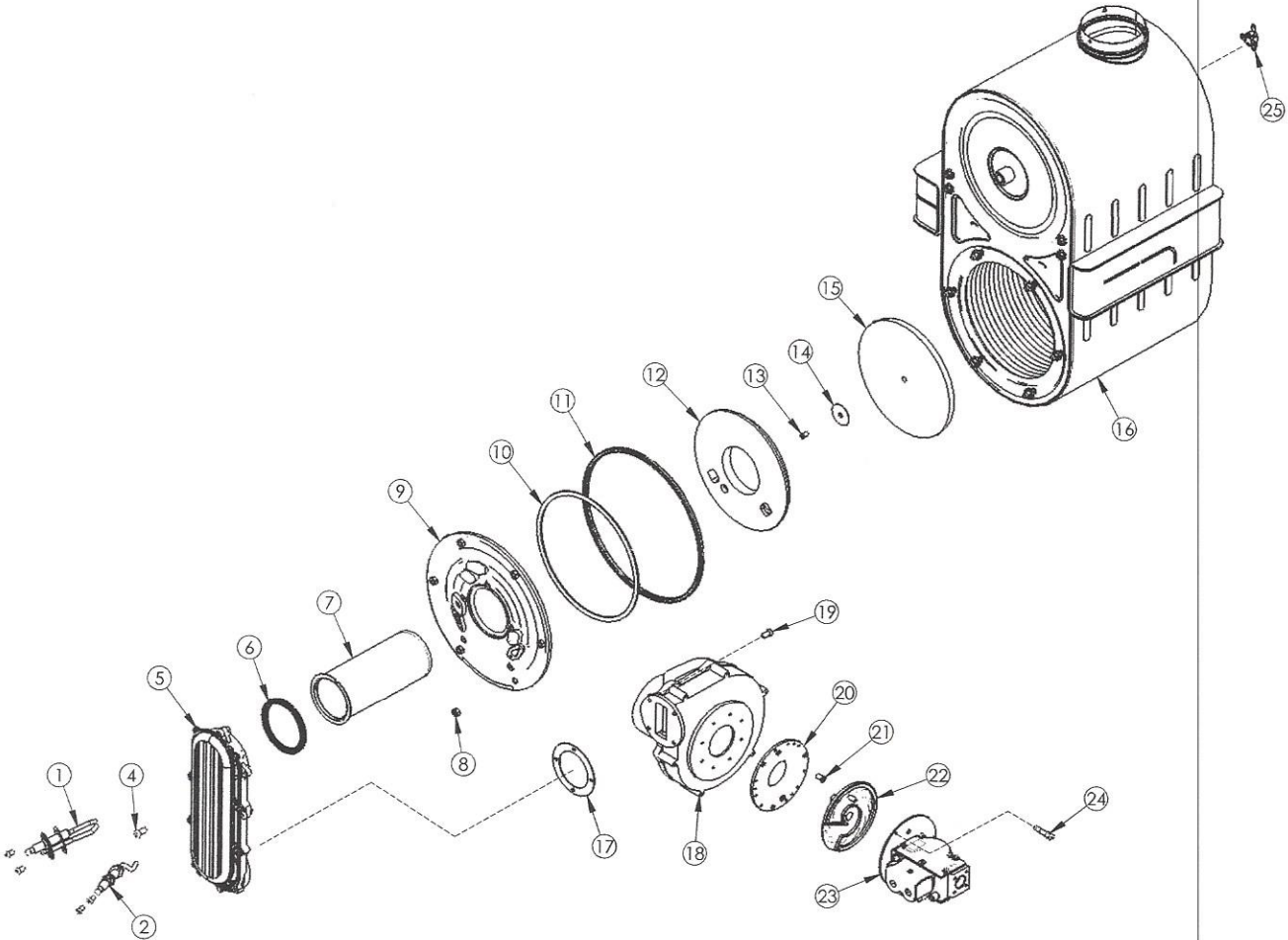
All repair parts orders - no minimum charges.

Please order with code number.

All prices quoted are in U.S. dollars.

All prices subject to change without notice.

All prices F.O.B. Bally, PA



PF-200, PF-210, PF-300, PF-399 & PF-460



PeerlessBoilers.com

Peerless® PUREFIRE®

PF-200, PF-210, PF-300, PF-399 & PF-460

All repair parts orders - no minimum charges.

Please order with code number.

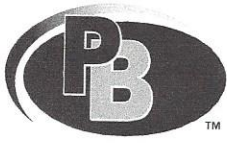
All prices quoted are in U.S. dollars.

All prices subject to change without notice.

All prices F.O.B. Bally, PA

	Description	Quantity Required	Stock Code
1	Kit Igniter & Cable w/ Hardware, PF50/80/110/140	1	54246
1a	Igniter Only	1	54224
1b	Igniter Cable	1	54298
2	Flame Sensor, with Gasket, Rauschert	1	54247
3	Screw, M4 X 8mm, (Local Hdwr Supply)	4	-
4	Screw, M5.5 x 14mm, (Local Hdwr Supply)	5	-
5	Premix Channel – PF-210	1	54249
	Premix Channel – PF-399	1	54250
6	Gasket, Channel to Burner	1	54186
7	Burner – PF-210	1	54263
	Burner – PF-399	1	54264
8	Nut, M6, 10MM Hex, (Local Hdwr Supply)	6	-
9	Combustion Chamber Cover PF	1	54183
	210 Combustion Chamber Cover Plate Kit, Current , Current ,includes items #8-#12	1	54206
	399 Combustion Chamber Cover Plate Kit, Current , Current ,includes items #8-#12	1	54207
9a	Thermal Tempeture Limit, 435F – Burner Plate	1	50045
10	Gasket, Glass Rope, (Must use Cover Plate Kit)	1	-
11	Gasket, Rubber	1	54187
12	Insulation, Combustion Chamber Cover Plate	1	54255
13	M4 X 8 MM SS Screw Target Wall, (Local Hdwr Supply)	1	-
14	Washer, M4, (Local Hdwr Supply)	1	-
15	Insulation, Target Wall	1	54185
16	Heat Exchanger – PF-210	1	5529
	Heat Exchanger – PF-399	1	5530
17	Gasket, Blower to Channel	1	54122
18	Blower Kit, PF-210 w/ Restrictor	1	54258
	Blower Kit, PF-399 w/ Restrictor	1	54257
	Blower Kit, PF-460	1	54700
19	M5-0.80 X 12MM Screw, (Local Hdwr Supply)	4	-
20	Blower Adapter Plate – PF-210	1	5421
	Blower Adapter Plate – PF-399	1	5610
21	M4 x 30mm Screw, (Local Hdwr Supply)	3	-
22	Swirl Plate – PF-210, Grey	1	54251
	Swirl Plate – PF-399, Black	1	54252
23	Gas Valve – PF-210, includes item #22	1	54253
	Gas Valve – PF-399, includes item #22	1	54254
24	Screw, M4 x 10mm, (Local Hdwr Supply)	3	-
25	Thermal Tempeture Limit, 605 F	1	54475

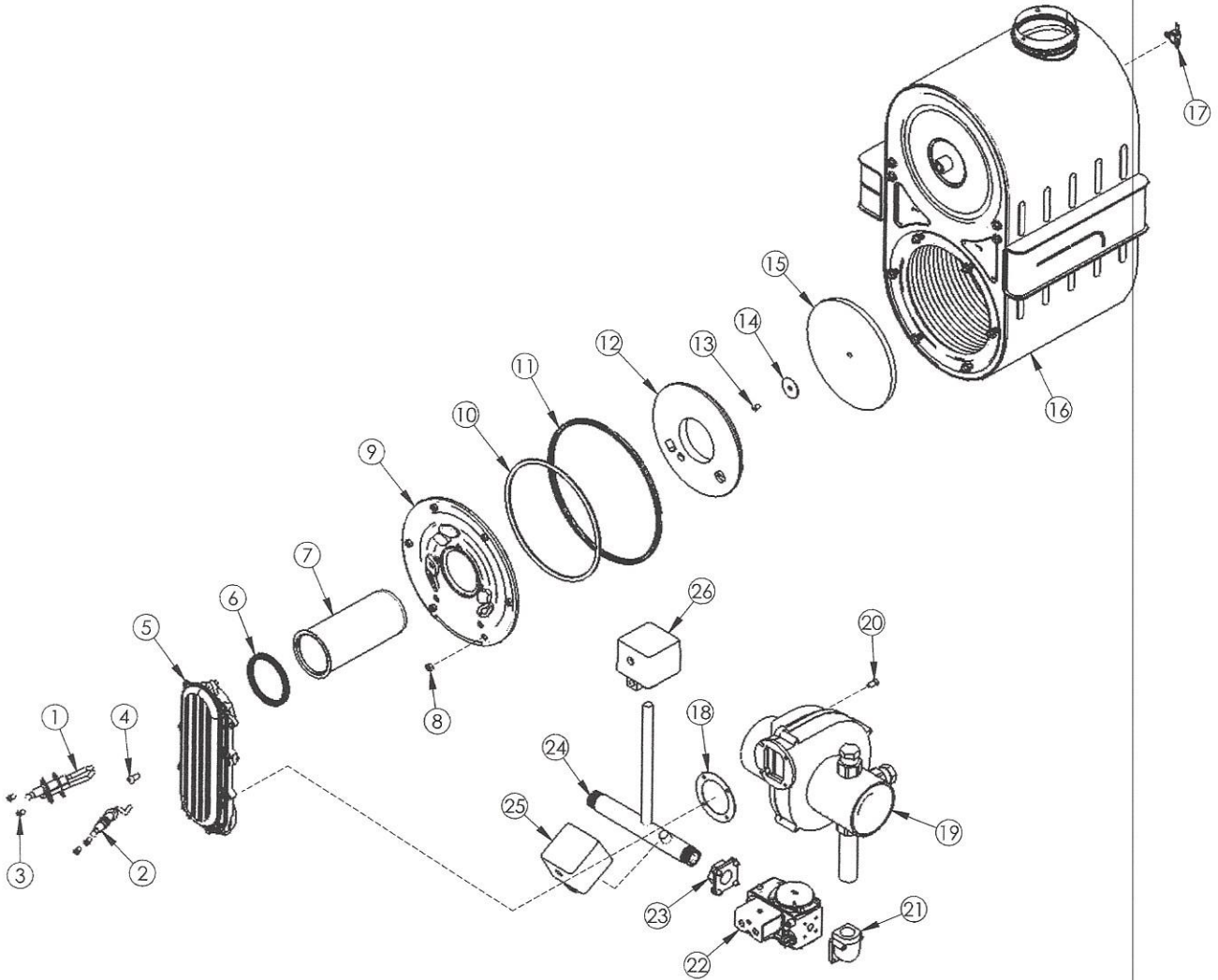
(Earlier Models, Obsolete, 7/11



PeerlessBoilers.com

Peerless® PUREFIRE® PF-460

All repair parts orders - no minimum charges.
Please order with code number.
All prices quoted are in U.S. dollars.
All prices subject to change without notice.
All prices F.O.B. Bally, PA



PF-460



PeerlessBoilers.com

Peerless® PUREFIRE®

PF-460

All repair parts orders - no minimum charges.

Please order with code number.

All prices quoted are in U.S. dollars.

All prices subject to change without notice.

All prices F.O.B. Bally, PA

	Description	Quantity Required	Stock Code
1	Ignitor, with Gasket	1	54246
2	Sensor, with Gasket	1	54247
5	Premix Channel – PF-399/460	1	54250
4	Gasket, Channel to Burner	1	54186
5	Burner – PF-399/460	1	54264
9	Combustion Chamber Cover PF	1	54183
9a	Thermal Temperture Limit, 435F – Burner Plate (Not Shown)	1	50045
10	Gasket, Glass Rope, (Must use Cover Plate Kit)	1	–
11	Gasket, Rubber	1	54187
12	Insulation, Combustion Chamber Cover Plate	1	54255
15	Insulation, Target Wall	1	54185
16	Heat Exchanger – PF-399/460	1	5530
17	Thermal Temperture Limit, 605 F	1	54466
18	Gasket, Blower to Channel	1	54122
19	Blower- PF-460	1	54700
20	M5-0.80 X 12MM Screw, (Local Hdwr Supply)	4	–
21	90° Flange Connection	1	5543
22	Dungs 057 Gas Valve	1	54429
23	Straight Flange Connection	1	5855
24	Gas Manifold- PF-460	1	54681
25	High Gas Pressure Switch- Honeywell C6097B1028	1	50701
26	Low Gas Pressure Switch- Honeywell C6097A1012	1	50700
N/S	Control Module, 852MN – PF-460	1	54684
N/S	Display Module, Argus 852RC (PF460)	1	54689
N/S	KIT PF460 852IF Interface Board (PF460)	1	54701