

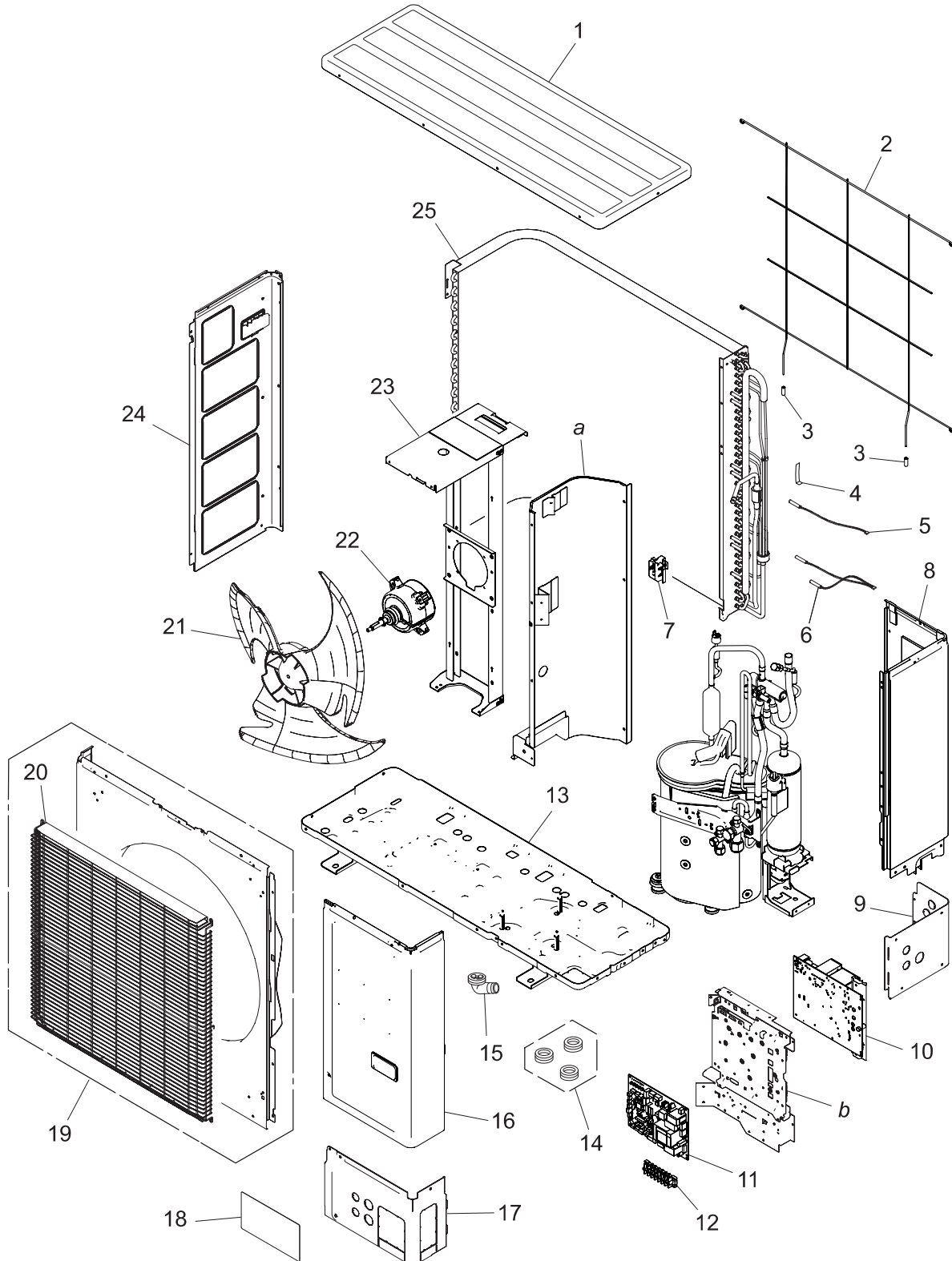
3. Outdoor unit parts list

3-1. Models: AOUH30LPAS1 and AOUH36LPAS1

■ Exterior parts and chassis

TECHNICAL DATA
AND PARTS LIST

TECHNICAL DATA
AND PARTS LIST

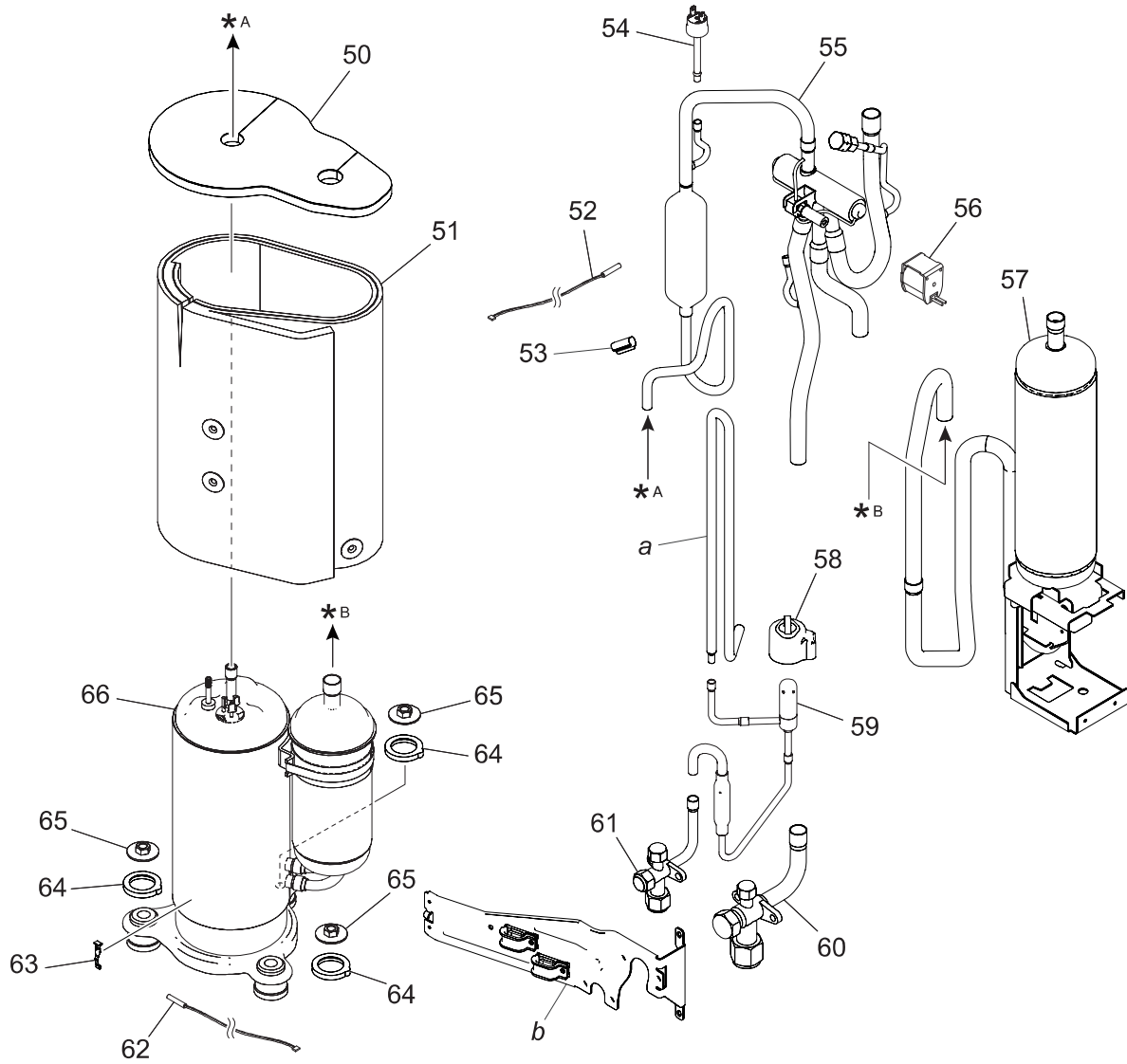


Item no.	Part no.	Part name	Service part
1	9383880001	Top panel assy	◆
2	9383779008	Protective net	◆
3	9375361013	Net rubber	◆
4	313728262708	Thermistor spring A	◆
5	9900984038	Thermistor (Heat exchanger temp.)	◆
6	9900727154	Thermistor assy (Evaporator and Compressor temp.)	◆
7	9383607004	Thermo holder	◆
8	9383874000	Right panel sub assy	◆
9	9384997005	Rear pipe cover	◆
10	9709686317	Inverter PCB	◆
11	9711431738	Main PCB (30 model)	◆
	9711431745	Main PCB (36 model)	◆
12	9900203085	Terminal	◆
13	9383871016	Base assy	◆
14	313166024302	Drain cap	◆
15	9303029015	Drain assy	◆
16	9383876004	Service panel sub assy	◆
17	9384196019	Front pipe cover	◆
18	9380114000	Emblem rear	◆
19	9383863035	Front panel assy	◆
20	9350680009	Fan guard assy	◆
21	9383336003	Propeller fan	◆
22	9603732011	DC fan motor	◆
23	9383862007	Motor bracket assy	◆
24	9383882005	Left panel sub assy	◆
25	9374420711	Condenser sub assy	◆
—	9711198006	Wire with connector (P108 on Main PCB—Terminal)	◆
—	9711203038	Wire with connector (P660 on Main PCB—P662 on Inverter PCB)	◆
—	9711204004	Wire with connector (P661 on Main PCB—P663 on Inverter PCB)	◆
—	9711205001	Wire with connector (P350 on Main PCB—P351 on Inverter PCB)	◆
—	9711212009	Wire with connector (P650 on Inverter PCB—DC fan motor)	◆
—	9711213006	Wire with connector (P770 on Inverter PCB)	◆
—	9711214003	Wire with connector (Pressure switch)	◆
<i>a</i>	—	Separate wall assy	—
<i>b</i>	—	Control box unit	—

Compressor

TECHNICAL DATA
AND PARTS LIST

TECHNICAL DATA
AND PARTS LIST



Item no.	Part no.	Part name	Service part
50	9380516064	Sound insulator (Top)	◆
51	9379647243	Sound insulator (Body)	◆
52	9900565091	Thermistor (Outdoor temp.)	◆
53	9357804002	Thermostat holder	◆
54	9900186029	Pressure switch	◆
55	9374425723	4-way valve assy	◆
56	9970194016	Solenoid	◆
57	9383855115	Refrigerant volume adjustment unit	◆
58	9970209000	Expansion valve coil	◆
59	9370947328	Expansion valve assy	◆
60	9379079013	3-way valve assy	◆
61	9377958037	3-way valve assy	◆
62	9900985035	Thermistor (Compressor temp.)	◆
63	9810028006	Thermistor stopper	◆
64	9379179096	Rubber washer G	◆
65	9377973016	Special nut	◆
66	9810666000	Compressor assy	◆
<i>a</i>	—	Joint pipe D	—
<i>b</i>	—	Wiring fixation unit	—