



**Occasion™**  
16½" one-light sconce  
**K-31775-SC01**

**Features**

- Ridged cylindrical glass shades combine with faceted metals in vintage-inspired fixtures elegant enough for any room.
- Coordinates with faucets in the Occasion collection.
- Requires bulb with medium (E26) base; type T bulb recommended (sold separately).
- Suitable for damp locations, per UL 1598.

**Material**

- Premium metal and glass construction.
- Manufactured with quality materials and complemented with a meticulous finishing process.
- Durable finishes engineered to last and designed to coordinate with KOHLER faucet finishes.

**Installation**

- Installation hardware included.



**Codes/Standards**

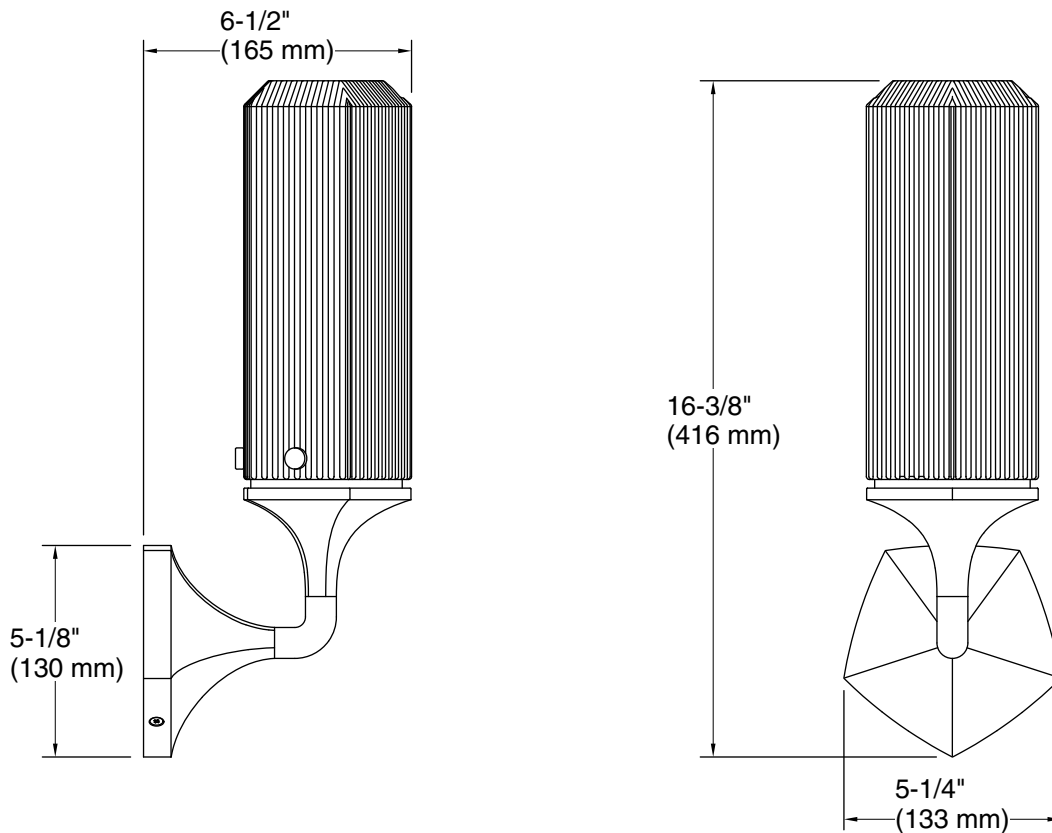
UL 1598  
CSA C22.2 No. 250.0

**KOHLER® Indoor Lighting Fixtures  
Limited Warranty**

See website for detailed warranty information.



**Occasion™**  
16½" one-light sconce  
**K-31775-SC01**



**Required Electrical Service**

One circuit required.

120 V, 60 Hz

**Technical Information**

All product dimensions are nominal.

Material: Steel, Zinc, Glass

Number of Lights: 1

Lighting Type: Socket-based

Socket Type: E-26 Medium

Number of Shades: 1

Shade Type: Glass - clear