

VITOTRONIC 200-H HK1B Series

Part No. 7533387 Serial No. 7514783□□□□□□□□□□

Ordering Parts:

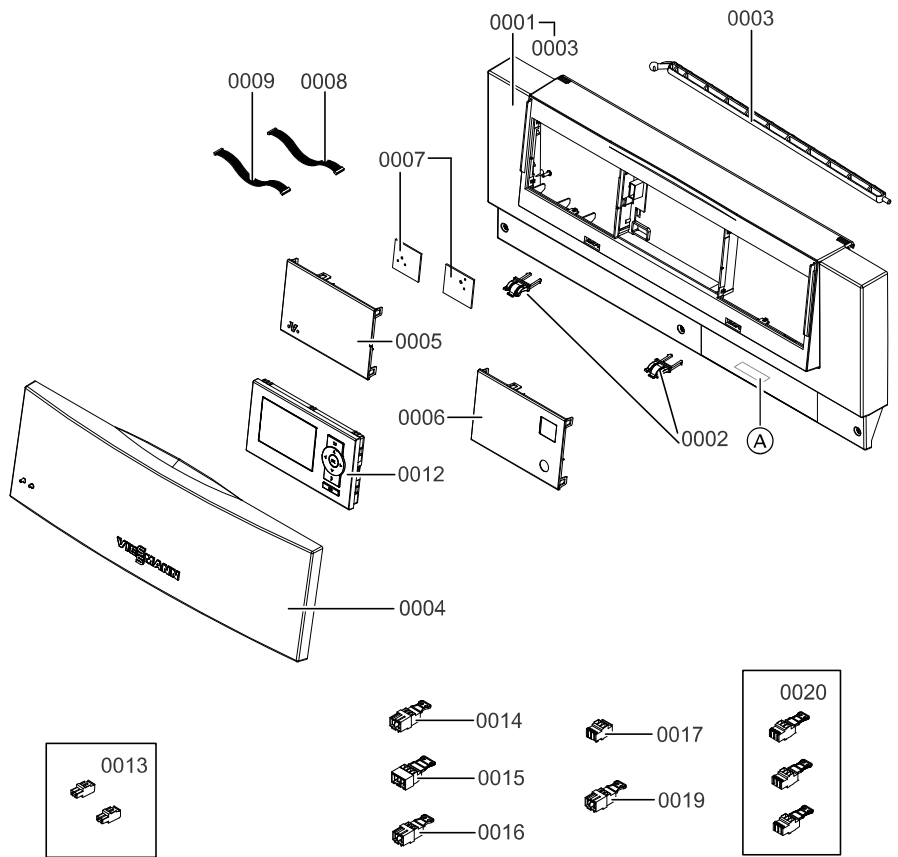
Please provide Serial Number (A) when ordering replacement parts. Order replacement components from your Viessmann distributor.

Parts for Operating Enclosure Assembly

- 0001 Housing, front
- 0002 Hinges for control housing (set of 2)
- 0003 Support arm
- 0004 Flip-down cover
- 0005 Cover, left KR
- 0006 Cover, right with fuse
- 0007 Circuit boards, Optolink, SA142/143
- 0008 Flat cable, 10-pole
- 0009 Flat cable, 16-pole
- 0012 Vitotronic 200 HO1B
- 0013 Accessory pack, low voltage plugs
- 0014 3-Pole plug, male, #20 (set of 3)
- 0015 4-Pole plug, #52 (set of 3)
- 0016 3-Pole plug, #156 (set of 3)
- 0017 3-Pole plug, #40 (set of 3)
- 0019 3-Pole plug, #50 (set of 3)
- 0020 Accessory pack, plugs #143, #145, and #146

Other Parts (not illustrated)

- 0320 Technical literature set
- 0321 Installation and Service Instructions
- 0322 Operating Instructions
- 0323 Wiring Diagram
- 0324 Parts List



VITOTRONIC 200-H

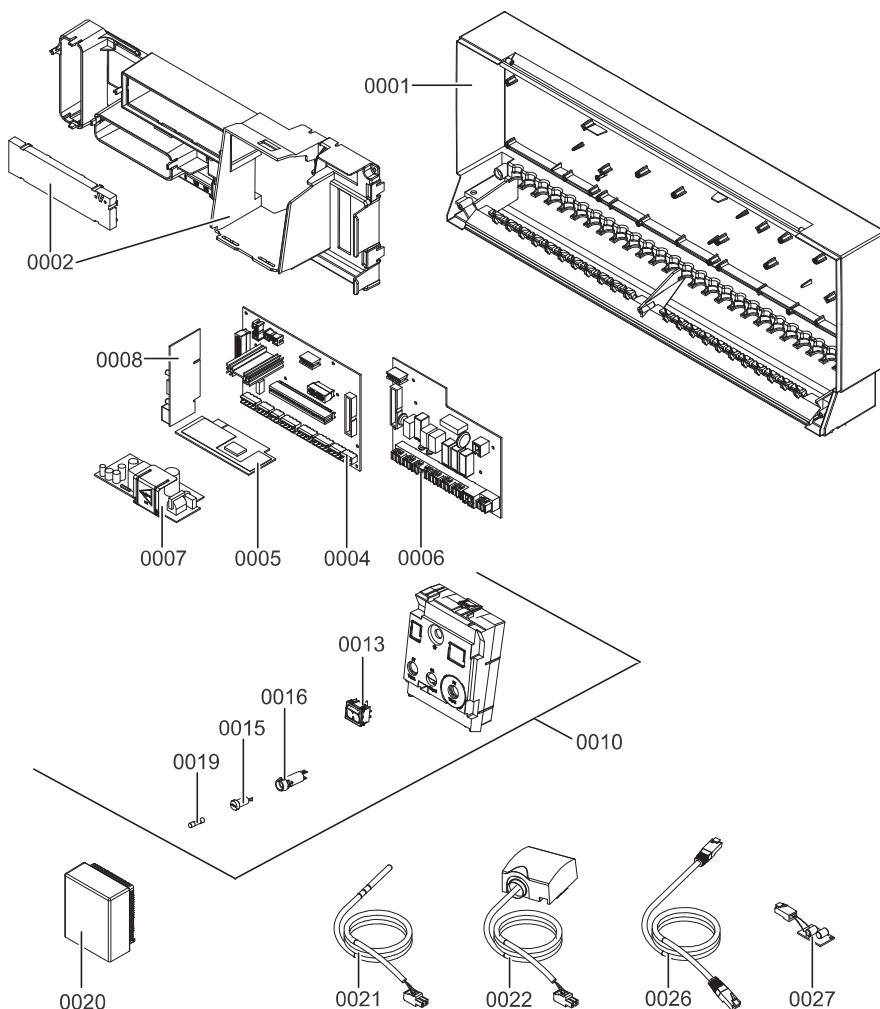
HK1B Series

Part No.
7533387

Serial No.
7514783□□□□□□□□

Parts for Connection Enclosure Assembly

- 0001 Housing, back
- 0002 Cover for motherboard
- 0004 Motherboard, low voltage, MB200
- 0005 Circuit board, control software, CU102
- 0006 Motherboard, line voltage, MB202
- 0007 Circuit Board, power supply, SP102-A20 NRX
- 0008 LON communication module
- 0010 Control panel (wired), 120/1/60
- 0013 On/off switch, 2-pole
- 0015 Fuse holder cover BK
- 0016 Fuse holder BK
- 0019 Fuse, 6.3A/250V (set of 10)
- 0020 Outdoor temperature sensor, NTC
- 0021 DHW immersion sensor, NTC
- 0022 Strap-on supply temperature sensor, NTC
- 0026 LON connecting cable, 23ft / 7m
- 0027 LON terminal resistor (set of 2)



Other Parts (not illustrated)

- 0350 Extension module MV 2 + 3