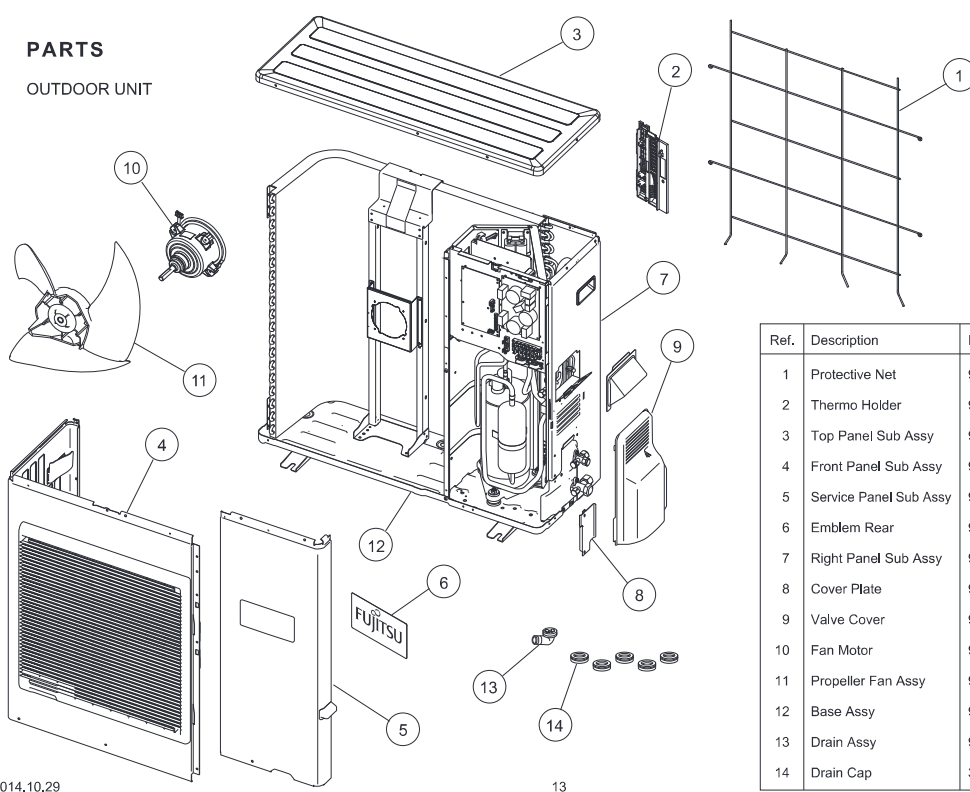


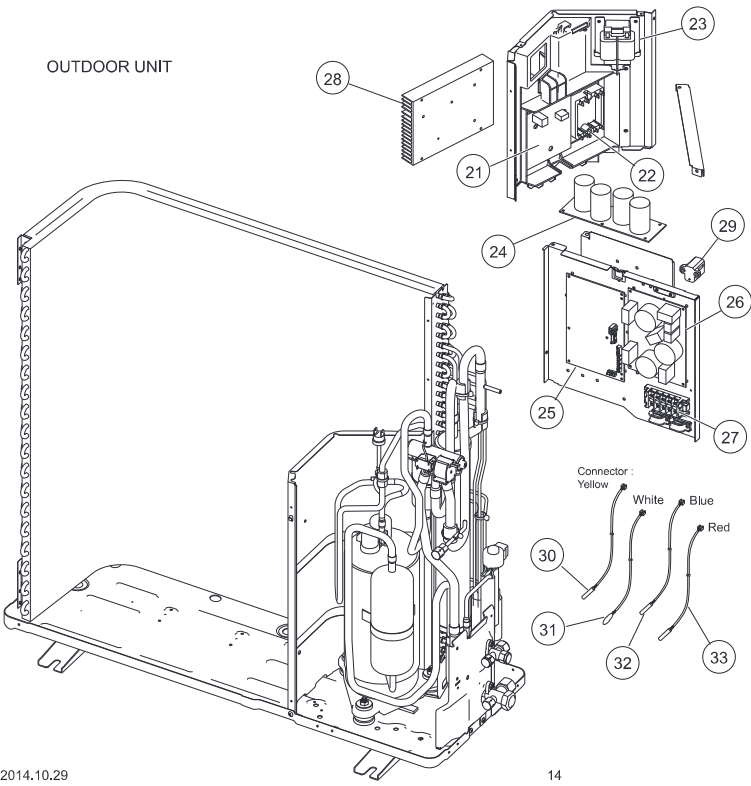
# PARTS

## OUTDOOR UNIT



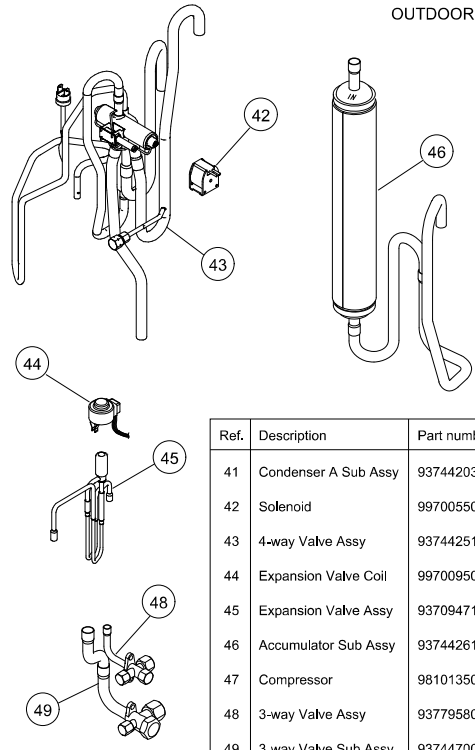
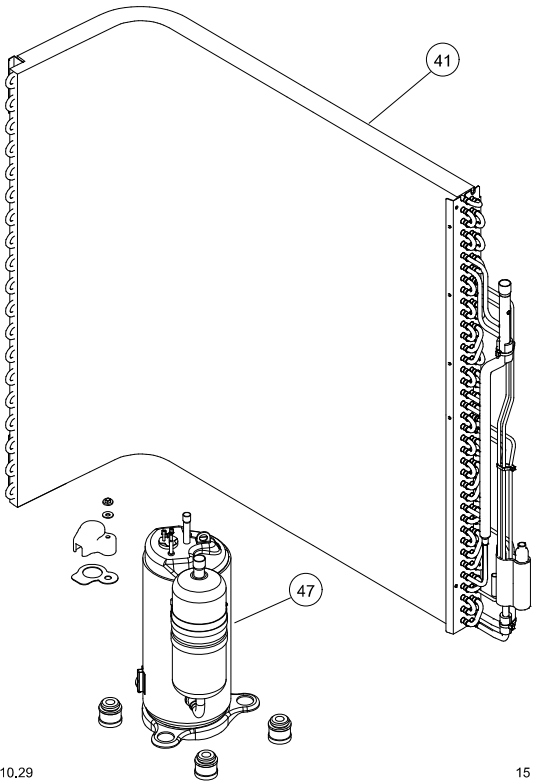
Ref.	Description	Part number
1	Protective Net	9375381011
2	Thermo Holder	9375211011
3	Top Panel Sub Assy	9374417032
4	Front Panel Sub Assy	9374414079
5	Service Panel Sub Assy	9374415052
6	Emblem Rear	9351355005
7	Right Panel Sub Assy	9374416134
8	Cover Plate	9375117016
9	Valve Cover	9374174010
10	Fan Motor	9602843015
11	Propeller Fan Assy	9366378020
12	Base Assy	9374166206
13	Drain Assy	9303029015
14	Drain Cap	313166024302

OUTDOOR UNIT



Ref.	Description	Part number
21	Transistor PCB	9708512112
22	ACTPM	9707592016
23	Choke Coil	9900223014
24	Capacitor PCB	9709894040
25	Main PCB (AOU30RLXB)	9708511719
25	Main PCB (AOU36RLXB)	9708511726
26	Filter PCB	9708513072
27	Terminal	9900203023
28	Heat Sink	9378530010
29	Thermistor	9704265012
30	Discharge Thermistor	9900461003
31	Outdoor Thermistor	9900463007
32	Compressor Thermistor	9900466015
33	Heat Exchanger Thermistor	9900514013

OUTDOOR UNIT



Ref.	Description	Part number
41	Condenser A Sub Assy	9374420308
42	Solenoid	9970055034
43	4-way Valve Assy	9374425198
44	Expansion Valve Coil	9970095030
45	Expansion Valve Assy	9370947144
46	Accumulator Sub Assy	9374426133
47	Compressor	9810135001
48	3-way Valve Assy	9377958013
49	3-way Valve Sub Assy	9374470044