



Series 2
Water,
Natural Draft
NAT'L or LP
MBH: 52-245
Avg. Efficiency: 83%

- ▶ **HIGH EFFICIENCY**
- ▶ **EASY TO INSTALL AND SERVICE**
- ▶ **MADE WITH WEIL-McLAIN QUALITY**

APPLICATIONS INCLUDE:

Residential
Light Commercial
Multiple Boilers
Indirect-fired Water Heating
Radiant Heating
... And Much More



WEIL-McLAIN

www.weil-mclain.com

Model (1)	Input MBH (2)	DOE Heating Capacity MBH (2)	Net AHRI Water Ratings MBH (3)	PIDN	Approx. Shipping Weight (Lbs)	Boiler Water Content (Gal.)	Chimney Size
CGa-25	52	44	38	84.0	200	1.5	4" I.D. x 20'
CGa-3	70	59	51	84.0	200	1.5	4" I.D. x 20'
CGa-4	105	88	77	84.0	240	2.1	5" I.D. x 20'
CGa-5	140	117	102	83.5	280	2.7	6" I.D. x 20'
CGa-6	175	146	127	83.2	325	3.3	6" I.D. x 20'
CGa-7	210	175	152	83.0	370	3.8	7" I.D. x 20'
CGa-8	245	204	177	82.7	425	4.4	7" I.D. x 20'

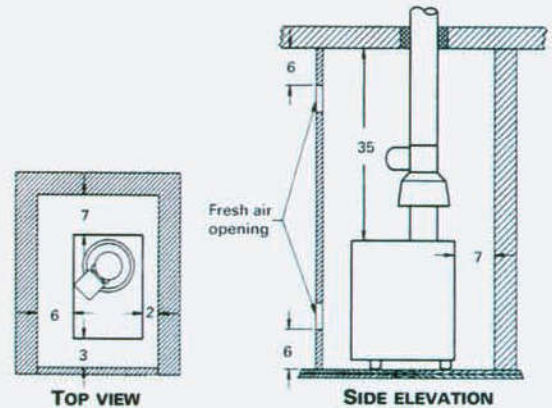
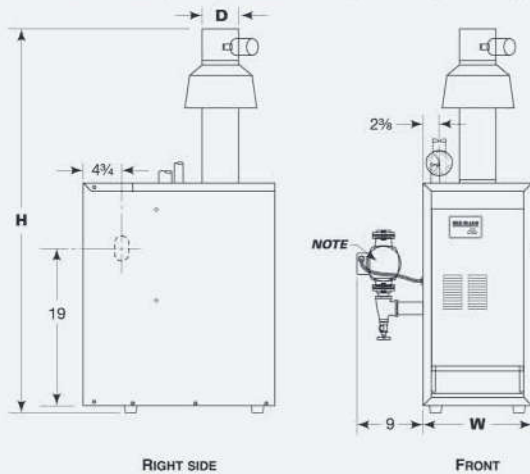
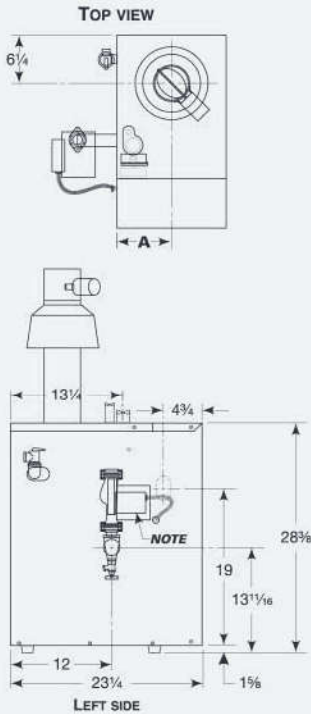
Notes:

- (1) See Chart
 - (2) Based on standard test procedures prescribed by the United States Department of Energy.
 - (3) Net AHRI ratings are based on net installed radiation of sufficient quantity for the requirements of the building and nothing needs to be added for normal piping and pick-up. Ratings are based on a piping and pick-up allowance of 1.15. An additional allowance should be made for unusual piping and pick-up loads.
- CGa boilers are C.S.A. design certified for installation on combustible flooring. Tested for 50 psi working pressure.

Dimensions

Model	Dimensions Inches				Supply Piping In. (1)	Return Piping In. (1)	Nat or LP Gas Connection Size Inches	Crate Dimensions (Outside Measurements - In.)		
	A	D	W	H				Length	Width	Height
CGa-25	5	4	10	45 3/8	3/4	3/4	1/2	27	27 1/2	31 1/2
CGa-3	5	4	10	52 3/8	1	1	1/2	27	27 1/2	31 1/2
CGa-4	6 1/2	5	13	54 3/8	1	1	1/2	27	27 1/2	31 1/2
CGa-5	8	6	16	57 7/8	1	1	1/2	30	27 1/2	31 1/2
CGa-6	9 1/2	6	19	60 7/8	1 1/4	1 1/4	1/2	33	27 1/2	31 1/2
CGa-7	11	7	22	62 1/8	1 1/4	1 1/4	3/4	36	27 1/2	31 1/2
CGa-8	12 1/2	7	25	64 7/8	1 1/2	1 1/2	3/4	42	27 1/2	31 1/2

Notes: (1) Circulator flange supplied with boiler is same size as recommended pipe size. For supply and return boiler tapping size, see installation manual.



Note: Boiler circulator is shipped loose. Circulator may be mounted on either boiler supply or return piping. See dimension chart for pipe size of circulator flange provided.

Standard and Additional Equipment

Standard Equipment:

- Factory Tested
- Two-Piece Top Jacket Panel
- Insulated Extended Steel Jacket
- Cast Iron Sections with Built-in Air Separator
- Radiation Plates
- Vertical Draft Hood
- Automatic Vent Damper
- Combination Gas Valve for 24 Volt
- Wiring Harness
- Non-Linting Pilot Burner
- Stainless Steel Burners
- Electrical Junction Box

- Rollout Thermal Fuse Element
- High-Limit Temperature Control
- Circulator (when ordered)
- Spill Switch
- 30 PSI ASME Relief Valve (boiler sections tested for 50 PSI working pressure)
- Combination Pressure-Temperature Gauge
- Drain Valve
- Integrated Boiler Control Module with Intermittent Electronic Ignition System & Indicator/Diagnostic Lights
- 40 VA Transformer
- Plug-in Connector and Wiring

Additional Equipment:

- Taco 007 Circulator
- Expansion Tank Package (expansion tank, fill & check valve, auto air vent and fittings): #109-sizes 25 thru 5; #110-sizes 6 thru 8. Shipped in separate carton.
- W-M 5 & 10 Year Homeowner Protection Plan
- W-M Indirect-fired Water Heaters
- W-M Pool Heaters
- W-M Baseboard Units

