

## REPAIR PARTS LIST

Now that you have purchased this water heater, should a need ever exist for repair parts or service, simply contact the company it was purchased from or direct from the manufacturer listed on the rating plate on the water heater.

Selling prices will be furnished on request or parts will be shipped at prevailing prices and you will be billed accordingly.

The model number of your Water Heater will be found on the rating plated located above the lower access panel.

Be sure to provide all pertinent facts when you call or visit.

WHEN ORDERING REPAIR PARTS, ALWAYS GIVE THE FOLLOWING INFORMATION:

- MODEL NUMBER
- VOLTAGE AND ELEMENT WATTAGE
- SERIAL NUMBER
- PART DESCRIPTION

KEY NO.	PART DESCRIPTION
1	Extension Nipple
2	Combo Dip Tube
3	Primary Anode Rod
4	T&P Valve
5	Element Gasket
6	Upper Element
7	Thermostat Bracket
8	Upper Thermostat w/Hi Limit
9	Terminal Protector
10	Upper Access Panel
11	Lower Access Panel
12	Lower Thermostat w/Hi Limit
13	Lower Element
14	Brass Drain Valve
15	Drain Pan

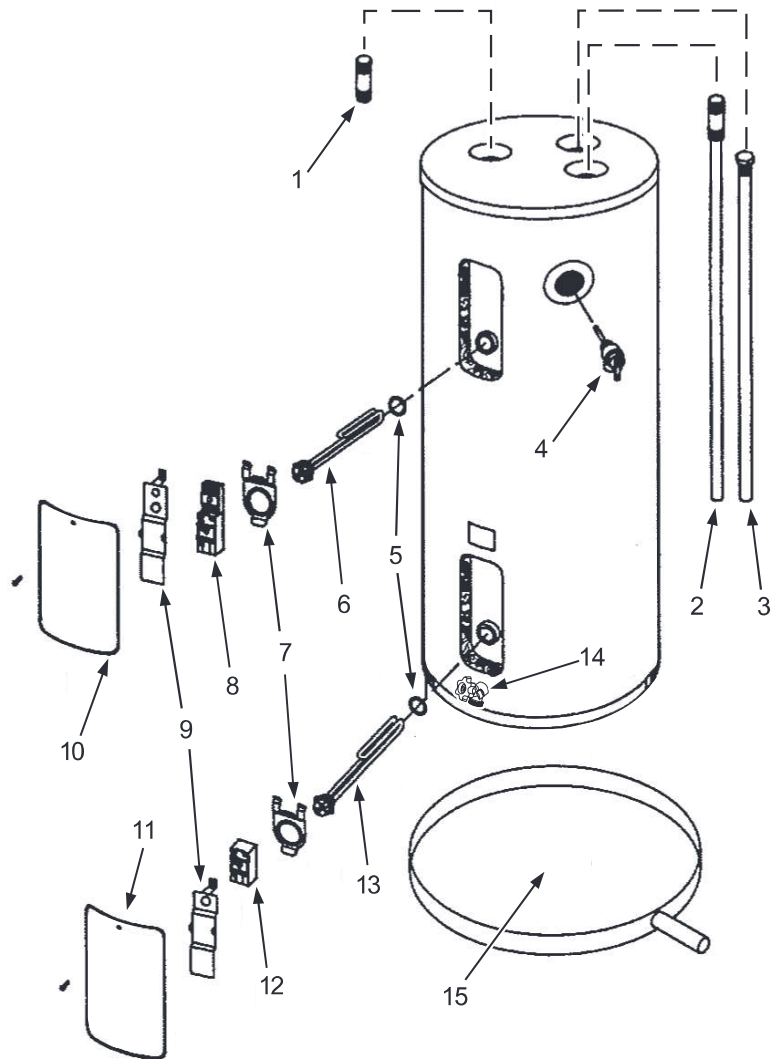


FIGURE 7