

### Features

- Multifunction showerhead with advanced spray engine provides three spray experiences: Full Coverage with Katalyst technology, Deep Massage, and Cloud
- Full Coverage with Katalyst technology delivers a drenching spray experience, ideal for rinsing shampoo from hair; oblong shape targets shoulders
- Deep Massage streams twist and swirl, targeting sore muscles to ease away aches and pains
- Cloud spray experience restores with a thick cloud of silky, super-fine water droplets
- MasterClean™ sprayface features an easy-to-clean surface that withstands mineral buildup
- Optimized sprayface for maximum performance
- 1.75 gpm (6.6 lpm) maximum flow rate at 80 psi (5.5 bar)

### Material

- Premium material construction for durability and reliability
- KOHLER finishes resist corrosion and tarnishing

### Technology

- Katalyst™ air-induction technology infuses water with air, creating bigger drops for a more powerful spray

### Installation

- 1/2 -14 NPT connection
- Wall-mount
- Shower arm and flange sold separately

### Water Conservation & Rebates

- This product can help a building earn Water Efficiency points in LEED™ Green Building Rating System



### Codes/Standards






ASME A112.18.1/CSA B125.1  
DOE - Energy Policy Act 1992  
EPA WaterSense™  
California Energy Commission (CEC)

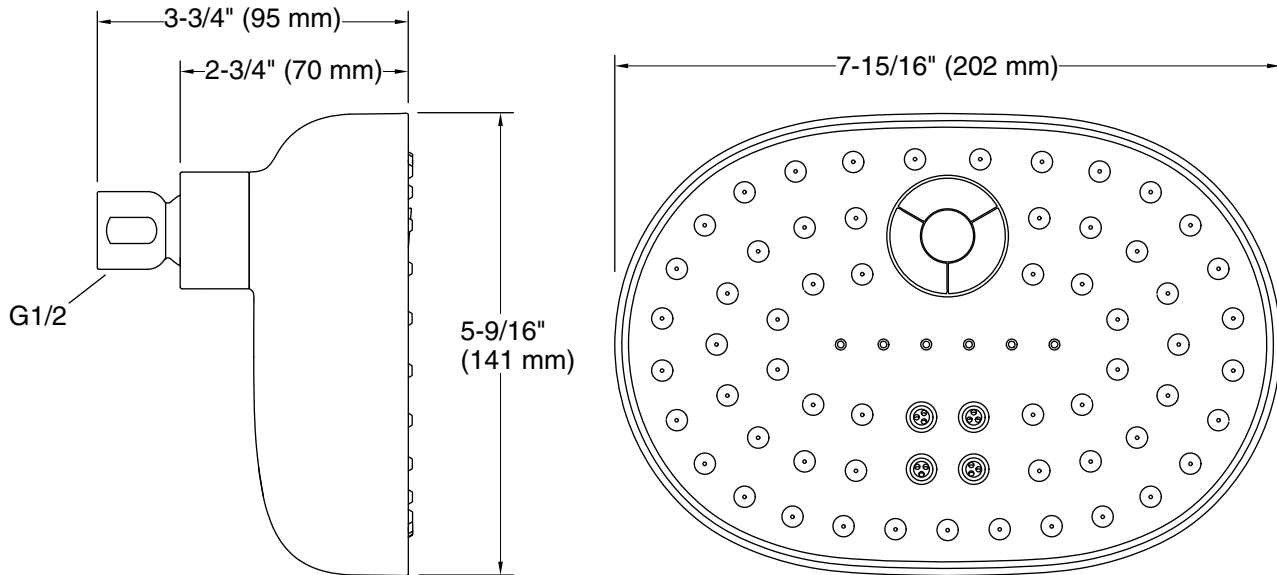
### KOHLER® Faucet Lifetime Limited Warranty

See website for detailed warranty information.

### Available Colors/Finishes

*Color tiles intended for reference only.*

| Color   | Code | Description                    |
|---|------|--------------------------------|
|  | CP   | Polished Chrome                |
|  | BN   | Vibrant™ Brushed Nickel        |
|  | BL   | Matte Black                    |
|  | 2MB  | Vibrant™ Brushed Moderne Brass |
|  | TT   | Vibrant Titanium               |



### Technical Information

All product dimensions are nominal.

#### Showerhead/Body Spray:

Rated maximum flow: 1.75 gal/min (6.6 l/min)

flow:

Pressure: 80 psi (5.5 bar)