



Project:

Location:

Fixture Type:

Catalog Number:

AVAILABLE FINISHES:



Mini Loft

WS-14818

PRODUCT DESCRIPTION

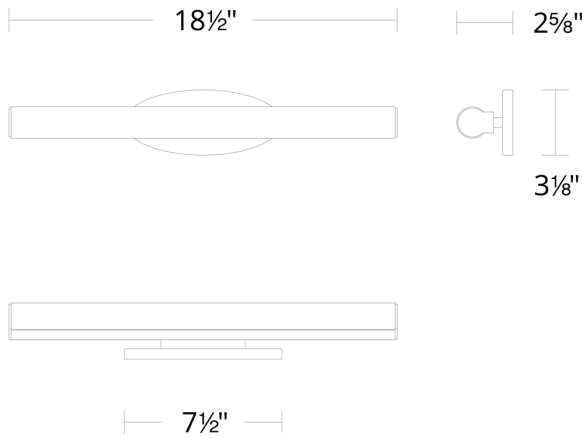
How do you improve on perfection? In this case, make it smaller. Introducing the petite version of our popular Loft sconce, featuring the same elegant contrasts as its big brother. An oval back plate in fine aluminum offsets the slim diffuser, which is fashioned from co-extruded clear and white acrylic to soften and distribute the light with beautiful precision even in this miniaturized format. Pair Mini-Loft with the larger version for a consistent lighting scheme throughout.

FEATURES

- Driver installed within the Junction Box, driver dimension: 2.8" x 1.3" x 1.2"
- Co-extruded clear and white acrylic diffuser
- Adjustable backplate accommodates to off-center junction box locations
- Conversion plate included to accommodate 3" switch box

SPECIFICATIONS

Rated Life	54000 Hours
Standards	ETL, cETL,Damp Location Listed
Input	120-277V,50/60Hz
Driver Dimension	2.8" x 1.3" x 1.2"
Dimming	ELV
Mounting	Can be mounted on wall in all orientations
Color Temp	3000K
CRI	90
Construction	Aluminum hardware, co-extruded clear and white acrylic diffuser



WS-14818

Model & Size	Color Temp	Finish	LED Watts	LED Lumens	Delivered Lumens
WS-14818 18"	3000K	BN Brushed Nickel	15.5W	1324	1198
	3000K	CH Chrome	15.5W	1324	1198

Example: **WS-14818-CH**

For custom requests please contact customs@modernforms.com

Project:

Location:

Fixture Type:

Catalog Number:



AVAILABLE FINISHES:



Mini Loft

WS-14824

PRODUCT DESCRIPTION

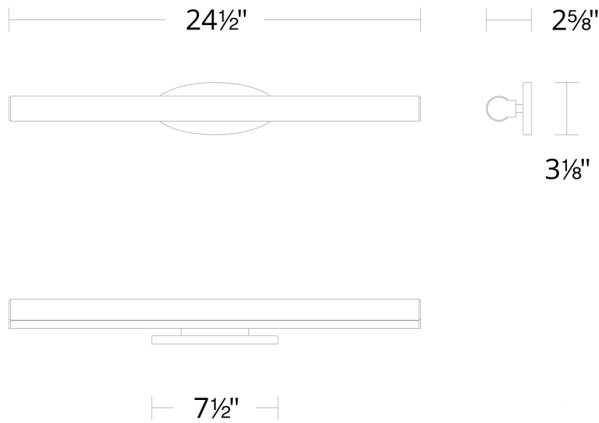
How do you improve on perfection? In this case, make it smaller. Introducing the petite version of our popular Loft sconce, featuring the same elegant contrasts as its big brother. An oval back plate in fine aluminum offsets the slim diffuser, which is fashioned from co-extruded clear and white acrylic to soften and distribute the light with beautiful precision even in this miniaturized format. Pair Mini-Loft with the larger version for a consistent lighting scheme throughout.

FEATURES

- Driver installed within the Junction Box, driver dimension: 2.8" x 1.3" x 1.2"
- Co-extruded clear and white acrylic diffuser
- Adjustable backplate accommodates to off-center junction box locations
- Conversion plate included to accommodate 3" switch box

SPECIFICATIONS

Rated Life	54000 Hours
Standards	ETL, cETL,Damp Location Listed
Input	120-277V,50/60Hz
Driver Dimension	2.8" x 1.3" x 1.2"
Dimming	ELV
Mounting	Can be mounted on wall in all orientations
Color Temp	3000K
CRI	90
Construction	Aluminum hardware, co-extruded clear and white acrylic diffuser



WS-14824

Model & Size	Color Temp	Finish	LED Watts	LED Lumens	Delivered Lumens
WS-14824 24"	3000K	BK Black	20.3W	1826	1588
	3000K	BN Brushed Nickel	20.3W	1826	1588
	3000K	CH Chrome	20.3W	1826	1588

Example: **WS-14824-CH**

For custom requests please contact customs@modernforms.com