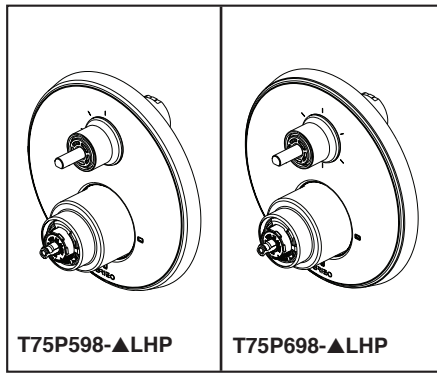


BRIZO®

INTEGRATED SHOWER DIVERTER TRIM

- Levoir™ Bath Collection
- MultiChoice® Valve Trim with Three Function Diverter (T75P598-LHP)
- MultiChoice® Valve Trim with Six Function Diverter (T75P698-LHP)



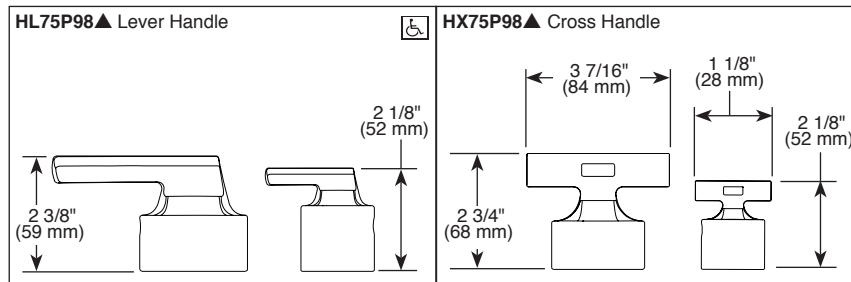
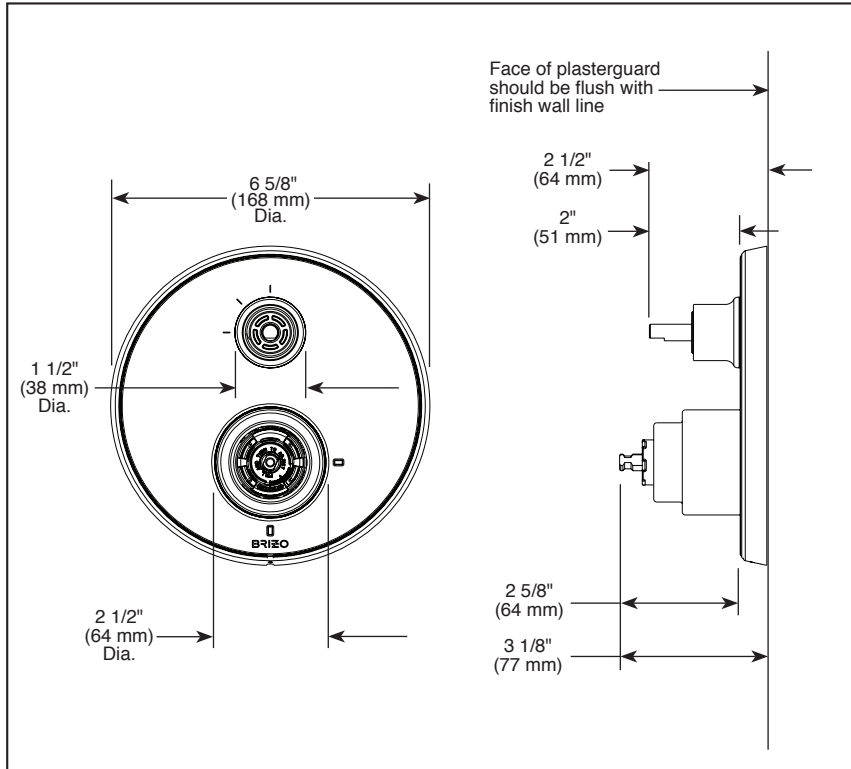
Submitted Model No.: _____
 Specific Features: _____

FEATURES:

- Monitor® 14 series pressure balanced bath mixing valve

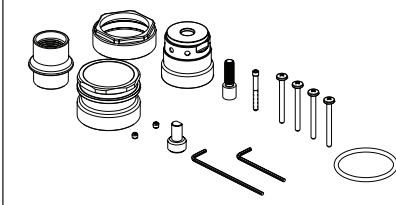
STANDARD SPECIFICATIONS:

- Maintains a balanced pressure of hot and cold water even when a valve is turned on or off elsewhere in the system.
- Back-to-back installation capability
- For use with MultiChoice® Universal Integrated Shower Diverter Rough (R75000 Series)
- Top handle controls diverter functions.
- Bottom handle controls on/off and temperature.
- Field adjustable to limit handle rotation into hot water zone.
- Bottom handle 120° maximum rotation.
- Red/Blue temperature indicator markings.
- Three function diverter (T75P598-▲LHP) has 2 individual positions and 1 shared position.
- For two individual functions, no shared functions, order additional RP72123.
- Six function diverter (T75P698-▲LHP) has 3 individual positions and 3 shared positions.
- For three individual functions, no shared functions, order additional RP72124.
- 1/2" rough-in.
- Cartridges included.
- Standard installation allows up to 1 1/8" finished wall thickness.
- Thick wall installation kit RP100160▲ can be ordered to allow for up to 2 1/8" finished wall thickness.
- Handles sold separately.



▲ Designate Proper Finish Suffix

RP100160▲
 Available Thick Wall Installation Kit



WARRANTY

- Lifetime limited warranty on parts (other than electronic parts and batteries) and finishes: or, for commercial users, for 5 years from date of purchase.
- 5 year limited warranty on electronic parts (other than batteries); or, for commercial users, for 1 year from the date of purchase. No warranty is provided on batteries.

COMPLIES WITH:

- ASME A112.18.1 / CSA B125.1
- Indicates compliance to ICC/ANSI A117.1 - Valve control only

Maximum Flow Rate Guide					
Rough	Cartridge	Outlet	40 psi	60 psi	80 psi
R75000	Pressure Balance	Shower	4.1 gpm	5.0 gpm	5.8 gpm
R75000-WS	Pressure Balance	Shower	3.9 gpm	4.8 gpm	5.6 gpm

Based on 6 Setting Diverter

Brizo Kitchen & Bath Company reserves the right (1) to make changes in specifications and materials, and (2) to change or discontinue models, both without notice or obligation. Dimensions are for reference only. See current full-line price book or www.brizo.com for finish options and product availability.

BSP-B-T75P598-LHP Rev. A

Brizo Kitchen & Bath Company

Indianapolis, Indiana 46280
 A Division of Masco Corporation of Indiana
 © 2018 Brizo Kitchen & Bath Company