



# Middleton®

25" top-mount single-bowl kitchen sink  
**14631-4**

### Features

- Four faucet holes
- 6" (152 mm) depth
- 3-5/8" (92 mm) drain opening
- Stainless steel with luster finish

### Material

- Premium 20-gauge stainless steel

### Installation

- Top-mount

### Recommended Products/Accessories

- 7400 Stainless Steel Sink Drain and Strainer
- K-23726 Drain treatment
- K-23729 Stainless steel cleaner

### Included Components

- 1150001 Installation Clips



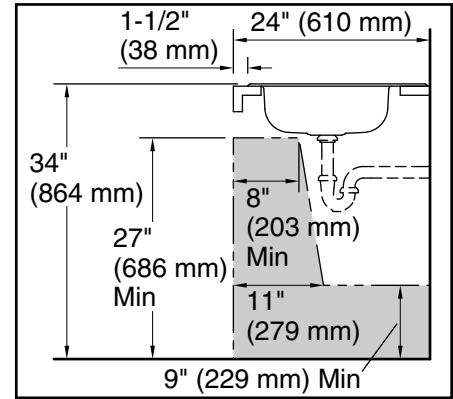
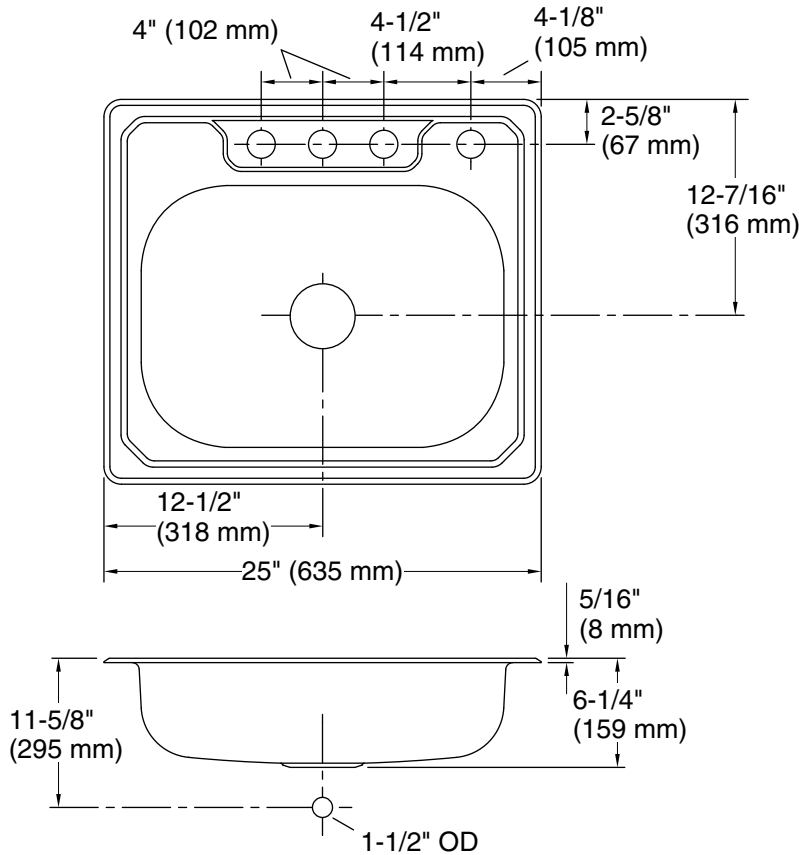
**ADA**

### Codes/Standards

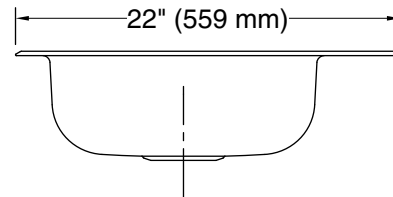
- ASME A112.19.3/CSA B45.4
- ADA
- ICC/ANSI A117.1
- IAPMO Certification

### **STERLING® Stainless Steel Sinks Lifetime Limited Warranty**

See website for detailed warranty information.



Recommended ADA Installation



**Technical Information**

All product dimensions are nominal.

- Bowl configuration: Single
- Cutout: Top-mount, 24-1/2" x 21-1/2" (622 mm x 546 mm) with 11/16" (18 mm) radius corners
- Center(s): 4
- Bowl area (Only):
  - Length: 25" (635 mm)
  - Width: 22" (559 mm)
  - Bowl depth: 6" (152 mm)
  - Water depth: 6" (152 mm)
- Number of deck holes: 4
- Faucet hole spacing: 4" (102 mm)
- Faucet hole(s): 1-7/16" (37 mm)
- Drain hole: 3-5/8" (92 mm)

**Notes**

- Install this product according to the installation instructions.
- Measure your actual product for roughing-in details.
- ADA compliant when installed to the specific requirements of these regulations.