

Features

- One-piece wall-hung toilet.
- Compact elongated bowl with 3" glazed trapway offers added comfort while occupying the same space as a round-front bowl.
- Mounting hardware is completely concealed, giving Veil a sleek, seamless look that is easy to clean.
- Dual-flush actuator offers a choice of 0.8 or 1.6 gallons per flush (gpf).
- Includes Grip Tight Reveal Q3 seat, wall-hung bowl, flush actuator, and in-wall carrier.
- Supply line not included.
- Large flush actuator plate can be removed for easy access to inner tank.

Technology

- Dual-flush technology allows you to choose between a full- or partial-flush.

Installation

- Fully insulated in-wall tank and carrier system with rigid solid steel tube frame for 2" x 6" installation.
- Adjustable durable steel frame carrier allows the bowl to be set anywhere from 15-3/8 inches to 28-1/2 inches from floor.

Water Conservation & Rebates

- WaterSense® toilets meet strict EPA flushing guidelines, including using at least 20 percent less water than 1.6-gallon toilets.
- Eligible for consumer rebates in some municipalities.

Optional Accessories

- K-6298
- K-6291 Wall-Hung Toilet Cast Iron Waste Pipe
- K-4670-C Commercial Toilet Seat
- K-4670-CA Commercial Toilet Seat
- K-4670-SA Commercial Toilet Seat
- K-4670-SC Commercial Toilet Seat

Components

Product includes:

- K-6284 In-Wall Tank and Carrier System
 - K-6299 Wall-Hung Elongated Toilet Bowl
 - K-6298 Flush Actuator Plate
- Additional included component/s: Toilet Seat



For complete listing of available colors, go to kohler.com.



ADA **CSA B651** **OBC**

Codes/Standards

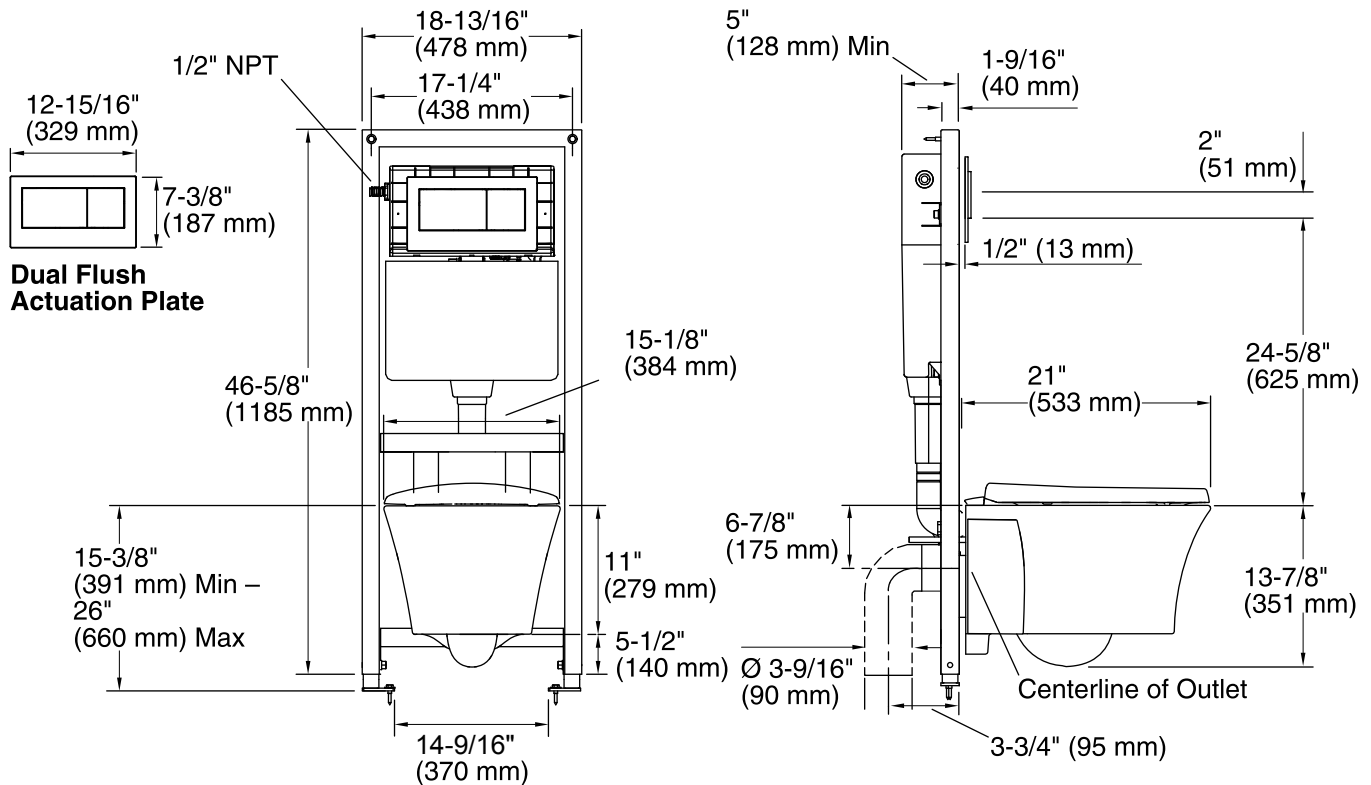
ASME A112.19.2/CSA B45.1
ASME A112.19.14
ASME A112.6.2
ADA
ICC/ANSI A117.1
DOE - Energy Policy Act 1992
EPA WaterSense®
CSA B651
OBC
NOM 008-CNA

KOHLER® One-Year Limited Warranty

See website for detailed warranty information.

Product Specification

Toilet shall be 21" (533 mm) in length, 15-1/8" (384 mm) in width, and 13" (330 mm) in height. The toilet shall be made of vitreous china. Toilet shall have an in-wall tank and carrier system with solid steel tube frame. Toilet shall be 0.8 gpf (3 lpf) or 1.6 gpf (6.1 lpf) or with dual flushing system. Toilet shall have thick insulation that fully envelopes polypropylene tank. Toilet shall be wall-hung installation. Toilet shall be a Kohler Model K-6303.



Technical Information

All measurements are nominal.

Toilet style:	In-wall
Bowl shape:	Elongated front
Passageway:	3" (76 mm)
Flush rate - full:	1.6 gpf (6.1 lpf)
Flush rate - short:	0.8 gpf (3 lpf)
Water area:	4-1/2" x 5-1/2" (114 mm x 140 mm)
Seat hole centers:	5-1/2" (140 mm)

Installation Notes

Install this product according to the installation guide.

Installation requires 2x6 framing.

Refer to manufacturer and local codes for flush valve requirements.

Install the in-wall tank and carrier system in a wall opening 5-1/2" (140 mm) x 19" (483 mm) x 50" (1270 mm) minimum.

K-4670 is the recommended toilet seat for public use accessible installations.

The Model Plumbing Codes require the installation of elongated open-front toilet seats in public bathrooms.

ADA, OBC, CSA B651 compliant when installed to the specific requirements of these regulations.