



State Water Heater Parts Fulfillment  
 125 Southeast Parkway • Franklin, TN 37068  
 www.statewaterheaters.com • 1-800-433-2545

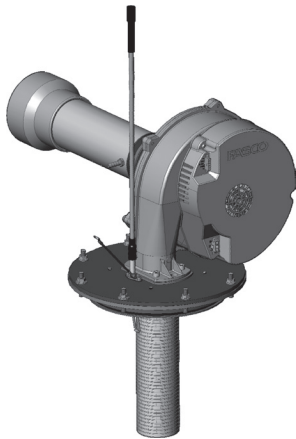
**COMMERCIAL GAS SERVICE PARTS LIST**

**MODELS:**  
 SUF 119300(A)  
 SUF 119400(A)  
 SUF 119500(A)  
**Series:**  
 300/301

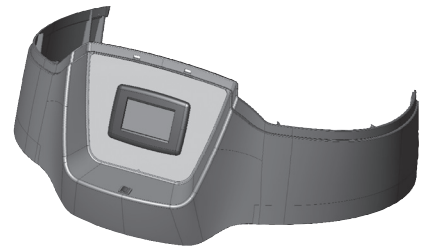
**ULTRA FORCE - MODELS SUF 119-300/400/500(A)**  
 See Page 2



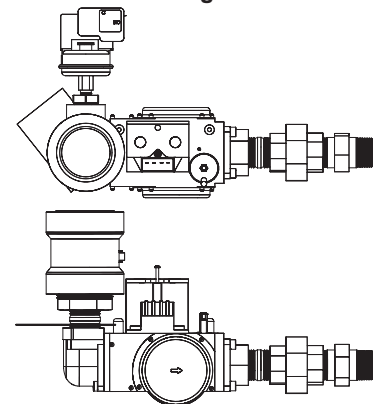
**BLOWER/BURNER ASSEMBLY**  
 See Page 5



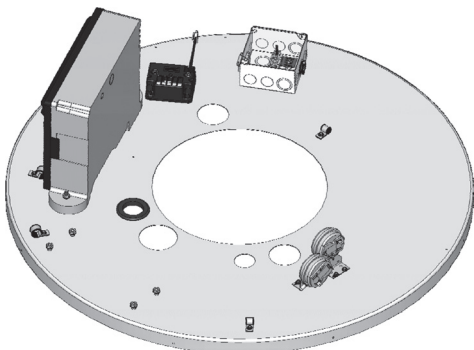
**DISPLAY CONTROL ASSEMBLY**  
 See Page 2



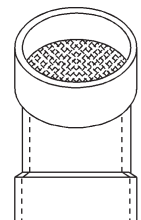
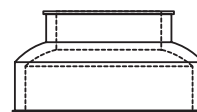
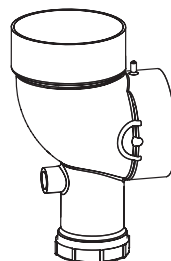
**GAS VALVE**  
 See Page 4



**OPERATING CONTROL**  
 See Page 3

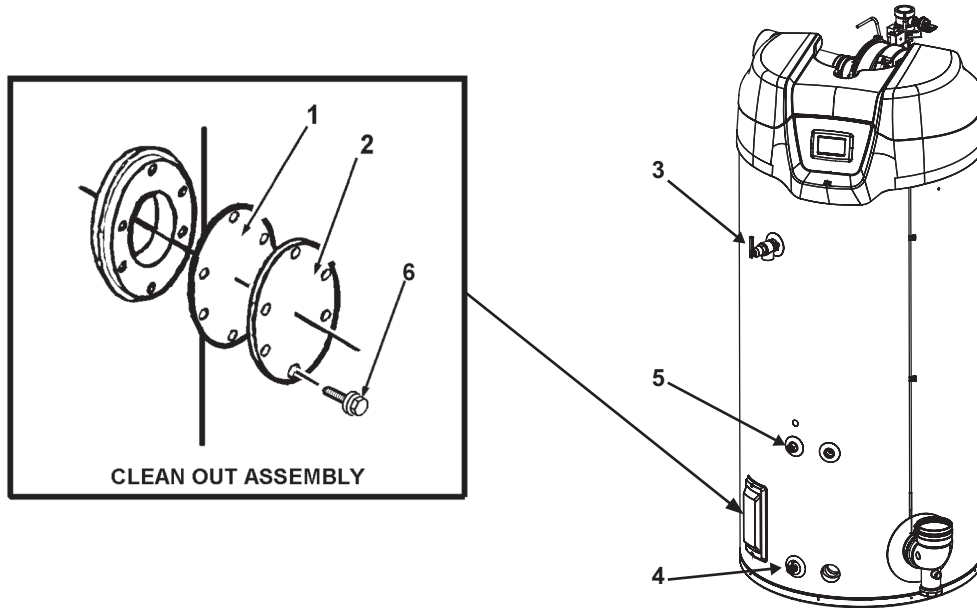


**EXHAUST ELBOW, VENT KIT & BLOWER INTAKE PARTS**  
 See Page 6



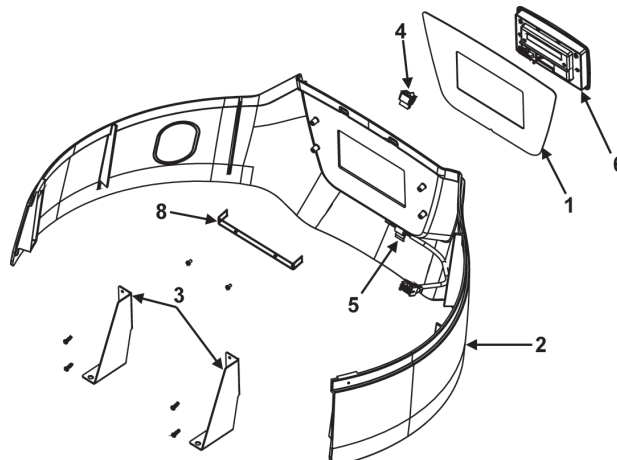
## ULTRA FORCE SUF 119-300/400/500(A) - Cleanout Assembly/T&P/Drain Valve Parts

| Item   | Description                                | SUF 119300(A)<br>300/301 | SUF 119400(A)<br>300/301 | SUF 119500(A)<br>300/301 |
|--------|--|--------------------------|--------------------------|--------------------------|
| 1..... | Cleanout Gasket.....                       | 9004099215               | 9004099215               | 9004099215               |
| 2..... | Cover, Cleanout.....                       | 9005797205               | 9005797205               | 9005797205               |
| 3..... | Temperature and Pressure Relief Valve..... | 9005903205               | 9005903205               | 9005903205               |
| 4..... | Drain Valve.....                           | 9009085015               | 9009085015               | 9009085015               |
| 5..... | Lower Temperature Probe.....               | 100271886                | 100271886                | 100271886                |
| 6..... | Thread Forming Screws.....                 | 9004100215               | 9004100215               | 9004100215               |



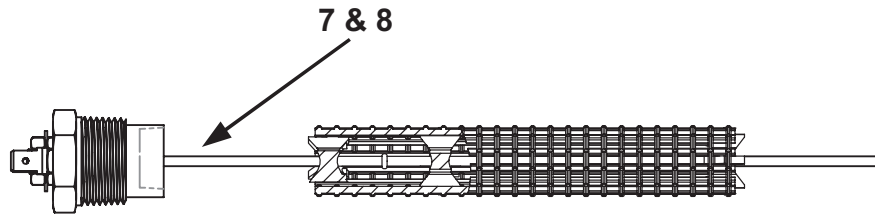
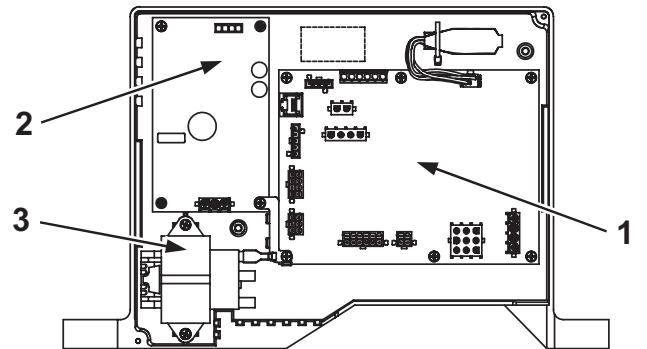
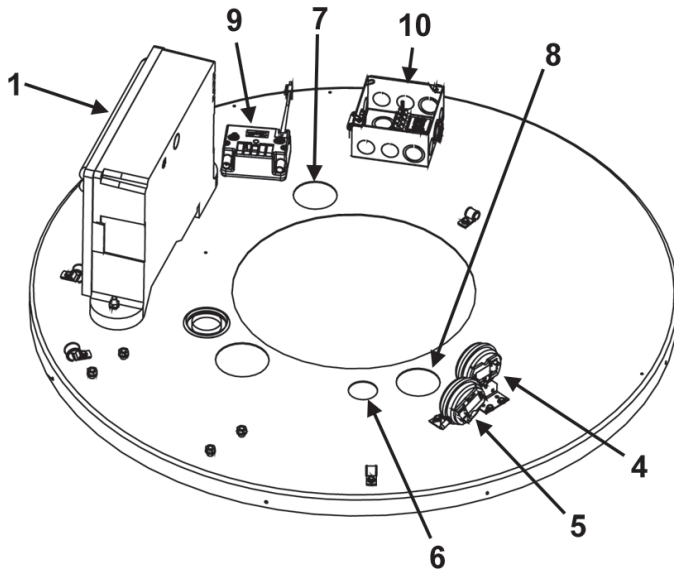
## DISPLAY CONTROL ASSEMBLY

| Item   | Description                      | SUF 119300(A)<br>300/301 | SUF 119400(A)<br>300/301 | SUF 119500(A)<br>300/301 |
|--------|----------------------------------|--------------------------|--------------------------|--------------------------|
| 1..... | Display Overlay.....             | 334316-001               | 334316-001               | 334316-001               |
| 2..... | Display Band.....                | 334068-000               | 334068-000               | 334068-000               |
| 3..... | Display Band Mount.....          | 9006271015               | 9006271015               | 9006271015               |
| 4..... | Enable/Disable Switch.....       | 193243-001               | 193243-001               | 193243-001               |
| 5..... | Switch Wire Connection.....      | 328918-000               | 328918-000               | 328918-000               |
| 6..... | User Interface Module - UIM..... | 100271881                | 100271881                | 100271881                |
| 7..... | UIM COMM Cable (not shown).....  | 334445-000               | 334445-000               | 334445-000               |
| 8..... | Bracket, UIM Mounting.....       | 334317-000               | 334317-000               | 334317-000               |



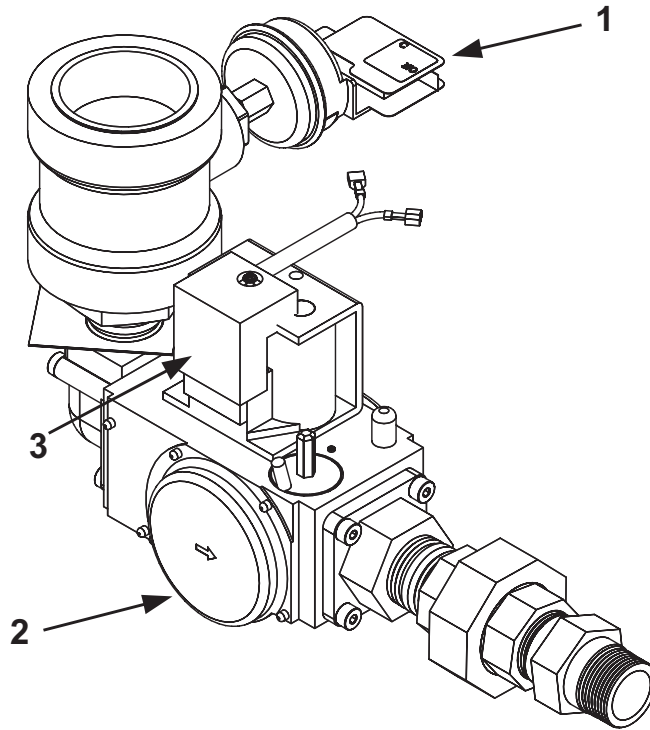
## ULTRA FORCE SUF 119-300/400/500(A) - OPERATING CONTROLS & WIRING

| Item | Description                                 | SUF 119300(A)<br>300/301 | SUF 119400(A)<br>300/301 | SUF 119500(A)<br>300/301 |
|------|---|--------------------------|--------------------------|--------------------------|
| 1    | ..... CCB Board - Programmed .....          | 9008907015               | 9008907015               | 9008907015               |
| 2    | ..... Power Supply Board .....              | 9008872005               | 9008872005               | 9008872005               |
| 3    | ..... Transformer.....                      | 9008874005               | 9008874005               | 9008874005               |
| 4    | ..... Blocked Intake Switch .....           | 9008996015               | 9008996015               | 9008996015               |
| 5    | ..... Blocked Outlet Switch .....           | 9008905015               | 9008905015               | 9008905015               |
| 6    | ..... Upper Temperature / ECO Probe.....    | 100271885                | 100271885                | 100271885                |
| 7    | ..... Powered Anode - Short.....            | 9008936005               | 9008936005               | 9008936005               |
| 8    | ..... Powered Anode - Long.....             | 9006246005               | 9006246005               | 9006246005               |
| 9    | ..... Spark Ignition Transformer.....       | 100271921                | 100271921                | 100271921                |
| 10   | ..... Junction Box Assembly w/Harness ..... | 325118-004               | 325118-004               | 325118-004               |



## ULTRA FORCE SUF 119-300/400/500(A) - GAS VALVE ASSEMBLY

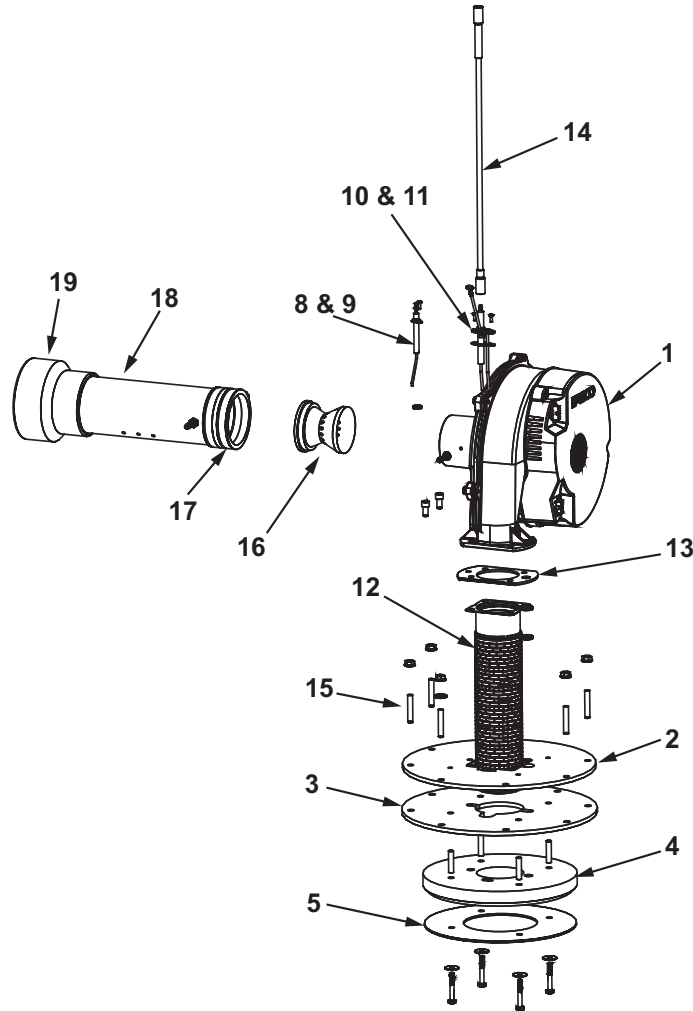
| Item | Description                                      | SUF 119300(A)<br>300/301 | SUF 119400(A)<br>300/301 | SUF 119500(A)<br>300/301 |
|------|--|--------------------------|--------------------------|--------------------------|
| 1    | Switch, Low Gas Pressure , Natural Gas<br>LP Gas | 9006256015               | 9006256015               | 9006256015               |
| 2    | Valve, Gas Natural & LP                          | 9008922005               | 9008922005               | 9008922005               |
| 3    | Rectifier Plug Assembly                          | 317069-000/IPO           | 317069-000/IPO           | 317069-000/IPO           |



## ULTRA FORCE SUF 119-300/400/500(A) - BLOWER/BURNER ASSEMBLY

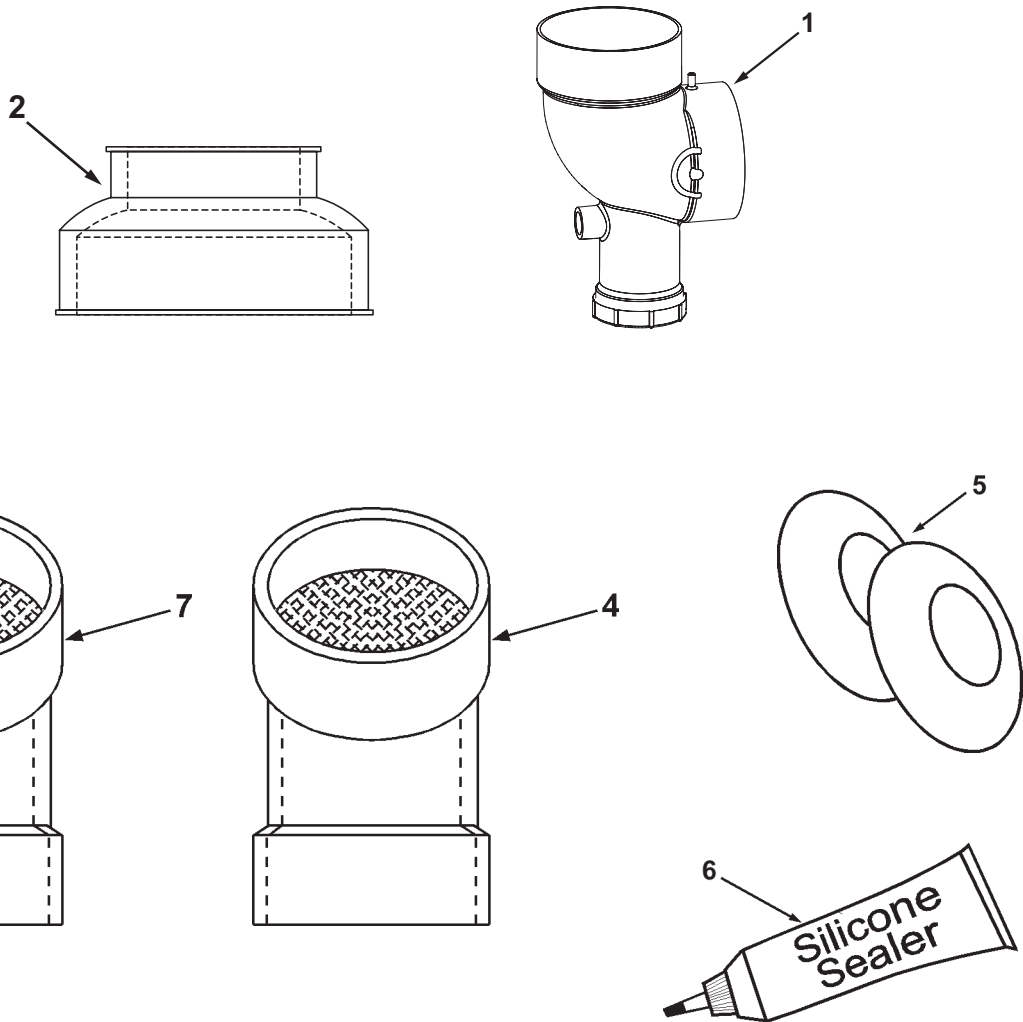
| Item | Description                    | SUF 119300(A)<br>300/301 | SUF 119400(A)<br>300/301 | SUF 119500(A)<br>300/301 |
|------|--------------------------------|--------------------------|--------------------------|--------------------------|
| 1    | Blower Assembly                | 100271887                | 100271887                | 100271887                |
| 2    | Burner Mounting Plate          | 320713-001               | 320713-001               | 320713-001               |
| 3    | Burner Plate Gasket            | 9008924005               | 9008924005               | 9008924005               |
| 4    | Insulation Disk -Pyrolite      | 9008925015               | 9008925015               | 9008925015               |
| 5    | SS Heat Shield                 | 9008926015               | 9008926015               | 9008926015               |
| 6    | View Port - Glass (Not Shown)  | 9006102215               | 9006102215               | 9006102215               |
| 7    | View Port Gasket (Not Shown)   | 9006103215               | 9006103215               | 9006103215               |
| 8    | Flame Sensor Rod               | 9008928015               | 9008928015               | 9008928015               |
| 9    | Flame Sensor Rod Gasket        | 318532-000               | 318532-000               | 318532-000               |
| 10   | Spark Rod                      | 100271889                | 100271889                | 100271889                |
| 11   | Spark Rod Gasket               | 321751-000               | 321751-000               | 321751-000               |
| 12   | Burner                         | 9008929005               | 9008929005               | 9008929005               |
| 13   | Burner/Blower Gasket           | 9008930015               | 9008930015               | 9008930015               |
| 14   | Spark Ignition Cable*          | 100271890                | 100271890                | 100271890                |
| 15   | Stud - 5/16-18 x 1-3/4"        | 196881-001               | 196881-001               | 196881-001               |
| 16   | Blower Intake Venturi          | 9008931015               | 9008931015               | 9008931015               |
| 17   | Rubber Coupling                | 9006107205               | 9006107205               | 9006107205               |
| 18   | Intake Tube 3" PVC             | 194923-006               | 194923-006               | 194923-006               |
| 19   | Blower Intake Reducer Assembly | 9008932005               | 9008932005               | 9008932005               |

**\*Supplied with Spark Igniter and Spark Ignition Transformer**



## 4" EXHAUST CONNECTOR AND VENT KIT ASSEMBLIES - MODELS SUF 119-300/400/500(A)

| Item                              | Description                       | SUF 119300(A)<br>300/301 | SUF 119400(A)<br>300/301 | SUF 119500(A)<br>300/301 |
|-----------------------------------|-----------------------------------|--------------------------|--------------------------|--------------------------|
| <b>EXHAUST ELBOW AND FITTINGS</b> |                                   |                          |                          |                          |
| 1                                 | Exhaust/Condensate Elbow Assembly | 9008909005               | 9008909005               | 9008909005               |
| 2                                 | Connector, Exhaust                | 9006111205               | 9006111205               | 9006111205               |
| 3                                 | Condensate Trap Gasket            | 328019-000               | 328019-000               | 328019-000               |
| <b>VENT KIT PARTS</b>             |                                   |                          |                          |                          |
| 4                                 | Intake/Exhaust Vent Terminal      | 9006112205               | 9006112205               | 9006112205               |
| 5                                 | Wall Plates (2 required)          | 9006113205               | 9006113205               | 9006113205               |
| 6                                 | Silicone Sealer, 2 oz. tube       | 9004365105               | 9004365105               | 9004365105               |
| 7                                 | Exhaust Vent Terminal (Canada)    | 9006331005               | 9006331005               | 9006331005               |



**NOTES:**



State Water Heater Parts Fulfillment  
125 Southeast Parkway  
Franklin, TN 37068  
1-800-433-2545  
[www.statewaterheaters.com](http://www.statewaterheaters.com)

Copyright © 2016 A. O. Smith Corporation, All rights reserved.