

Features

- 27" (686 mm) minimum base cabinet width
- Single bowl
- 6" (152 mm) depth
- Rear drain placement increases cabinet storage space underneath sink
- Countertop thickness cannot be greater than 1" (25 mm) for ADA compliance
- Includes installation hardware

Material

- Handcrafted from 18-gauge stainless steel
- Premium 18-gauge stainless steel

Installation

- Undermount

Recommended Products/Accessories

- K-8801 Sink drain and strainer with tailpiece
- K-8799 Sink drain and strainer basket
- K-23726 Drain treatment
- K-23729 Stainless steel cleaner

Optional Products/Accessories

- K-6645 Sink Rack
- K-6429 Utility Rack
- K-6667 Wood Cutting Board
- K-11352 Disposal Flange with Stopper

Included Components

- 91915 Hardware Kit



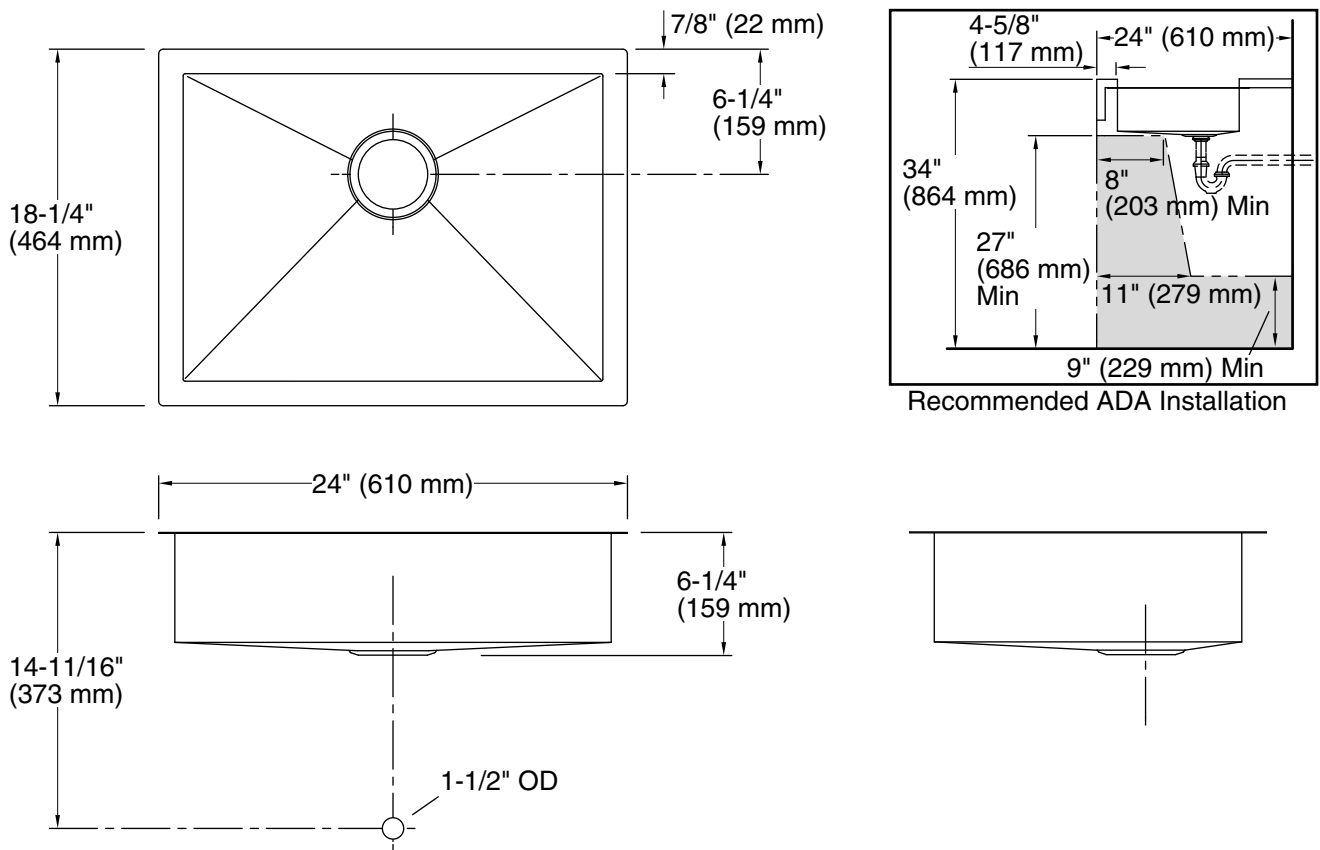
ADA

Codes/Standards

- ASME A112.19.3/CSA B45.4
- ADA
- ICC/ANSI A117.1
- IAPMO Certification

KOHLER® Stainless Steel Sinks Lifetime Limited Warranty

See website for detailed warranty information.



Recommended ADA Installation

Technical Information

All product dimensions are nominal.

Bowl configuration:	Single
Min. base cabinet width:	27" (686 mm)
Bowl area (Only):	Length: 22-1/4" (565 mm) Width: 16-9/16" (420 mm) Bowl depth: 6" (152 mm) Water depth: 6" (152 mm)
Drain hole:	3-3/4" (95 mm)
Template:	1207218-7, required, included

Notes

Install this product according to the installation instructions.

Allow 3/4" (19 mm) clearance beyond the back of the bowl for the wood cutting board (optional accessory).

ADA compliant when installed to the specific requirements of these regulations.