

Project Name:
 Engineer Name:
 Unit Designation:
 Submitted To:
 Date:
 Location :
 Purchaser :
 Schedule N° :



General Features

- Optional 24V Adaptor
- Drain Pan Heater
- Compressor Crank Case Heater
- Smart Defrost
- Compatible with (baseboard integration Qc company)
- Blue Fin
- Quiet Mode
- Turbo mode
- I Feel
- WiFi (model No)
- 8c Heating Mode
- 3D air throw
- Intelligent Pre Heating
- Auto Clean Mode
- Timer
- Memory Function
- Optional Service Tool (model N°)

Unit Performance

Rated Cooling Capacity (Btu/h)	18000
Cooling Capacity (Min - Max - Rated) (Btu/h)	(5118 - 21154 - 18000)
Heating Capacity (Min - Max - Rated) (Btu/h)	(5118 - 21154 - 18000)
Cooling / Heating Power Input (W)	1384 / 1384
Cooling / Heating Current (A)	6.3 / 6.3
EER2 (Btu/h)	13.00
COP (W/W)	3.81
SEER2	23.5
HSPF2	9
Dehumidifying Volume (Pint/h)	3.8

Electrical Specification

Power Supply	208-230V/60Hz/1
Power Supply Mode	Outdoor
Communication Cable	AWG14/4
Max. Over Current Protection (MOP) (A)	20
Min. Current (MCA) (A)	14

Indoor unit specifications

Indoor Unit TOSOT Model	TW18HXP2A1DI
Fan Type	Cross-flow
Air Flow Volume (CFM)	589/500/441/412/383/353/324
Set Temperature Range °C/°F	16~30/ 61~86
Sound Pressure Level (db (A))	49/43/41/40/37/33/29
Dimension (W×H×D) (inch)	38-21/32 × 12-1/4 × 8-45/64
Net Weight (kg/lb)	13.5 / 28.7

Outdoor unit specifications

Outdoor Unit Model	TW18HXP2A1DO
Compressor Type	Rotary
Compressor RLA (A)	9.25
Fan Type	Axial-flow
Outdoor Unit Air Flow Volume (CFM)	2119
Cooling Operation Ambient Temperature Range (°C/°F)	-30 ~50 / -4 ~122
Heating Operation Ambient Temperature Range (°C/°F)	-30 ~30 / -22 ~86
Sound Pressure Level (db (A))	59
Dimension (W×H×D) (inch)	37-23/32 × 25-63/64 × 15-53/64
Net Weight (kg/lb)	44.5 / 98

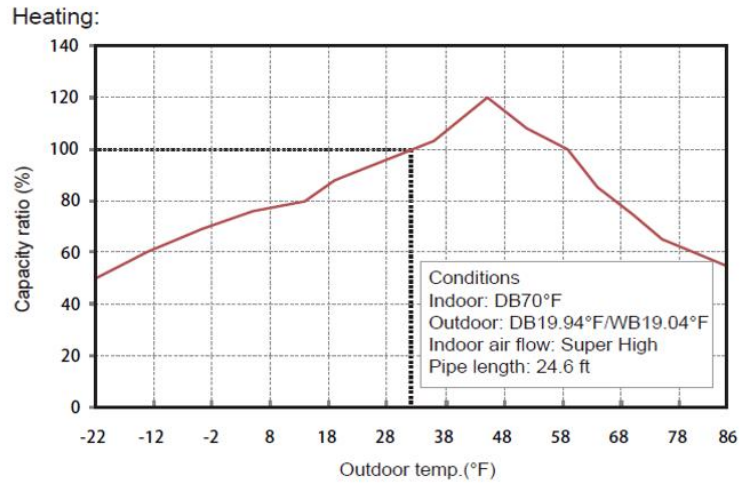
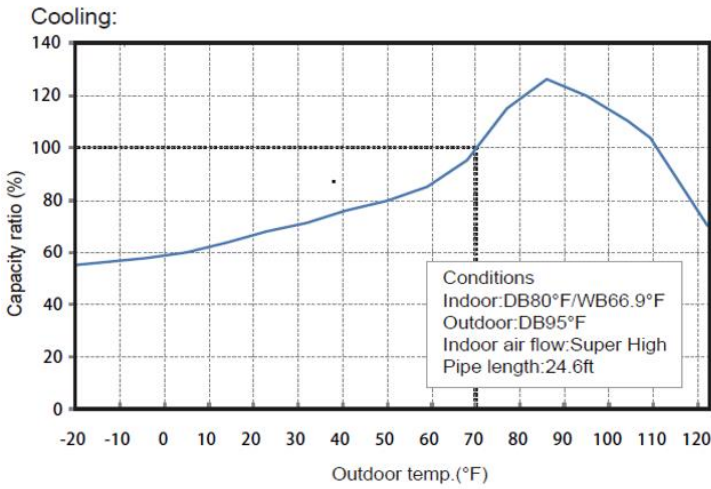
Refrigerant & Piping

Refrigerant Type	R410A
Refrigerant Pre Charge (OZ)	54.7
Pre charged Length (ft)	25
Gas Additional Charge (oz/ft)	0.5
Liquid Pipe / Gas Pipe (inch)	(1/4" , 5/8")
Max Distance Height (ft)	33
Max Distance Length (ft)	82

GLOSSARY

- SEER - Seasonal Energy Efficiency Ratio
- EER - Energy Efficiency Ratio
- HSPF - Heating Seasonal Performance Factor
- MOP - Maximum Overcurrent Protection
- MCA - Minimum Circuit Ampacity

Indoor – Outdoor temperature range



TW18HXP2A1D
Cooling

Outdoor		68F DB (20C)		Power Input	73F DB (23C)		Power Input	80F DB (27C)		Power Input	82F DB (28C)		Power Input
Coil air		57F WB (14C)			61F WB (16C)			67F WB (19C)			68F WB (20C)		
DB F	DB C	TC	SHC	TC	SHC	TC	SHC	TC	SHC	TC	SHC	TC	SHC
0	-18	9315	7079	533	9603	7106	549	9900	7148	566	10098	7170	575
5	-15	9823	7465	561	10127	7494	578	10440	7538	596	10649	7561	605
14	-10	10162	7723	591	10476	7752	609	10800	7798	628	11016	7821	637
23	-5	10839	8238	622	11174	8269	641	11520	8317	661	11750	8343	671
32	0	11855	9010	654	12222	9044	675	12600	9223	695	12852	9125	706
41	5	12702	9908	689	13095	9952	710	13500	9882	732	13770	9983	743
50	10	13549	10568	703	13968	10616	725	14400	10541	747	14688	10649	758
59	15	15417	12026	937	15894	12080	966	16386	12109	996	16714	12117	1011
68	20	16758	13071	1171	17276	13130	1208	17811	13162	1245	18167	13171	1264
77	25	19262	15024	1364	19858	15291	1407	20472	15190	1450	20881	15139	1472
86	30	21188	16951	1675	21843	16819	1727	22519	16709	1780	22969	17342	1807
95	35	16936	13549	1302	17460	13444	1342	18000	13500	1384	18360	13862	1405
104	40	17783	14226	1741	18333	14116	1795	18900	13986	1850	19278	14555	1878
113	45	15751	12601	1647	16238	12665	1698	16740	12388	1750	17075	12891	1776
122	50	13549	10839	1411	13968	10895	1455	14400	10656	1500	14688	11089	1523

Heating

Outdoor		68F DB (20C)		Power Input	73F DB (23C)		Power Input	80F DB (27C)		Power Input	82F DB (28C)		Power Input
Coil air		57F WB (14C)			61F WB (16C)			67F WB (19C)			68F WB (20C)		
DB F	DB C	TC	SHC	TC	SHC	TC	SHC	TC	SHC	TC	SHC	TC	SHC
-22	-30	9916	1877	9618	1906	9137	1953	9009	1975				
-13	-25	10896	1916	10570	1945	10041	1993	9901	2015				
-4	-20	12107	1955	11744	1984	11157	2034	11001	2056				
0	-18	13160	1965	12765	1994	12127	2044	11957	2066				
6	-14	14000	1985	13580	2014	12901	2065	12720	2087				
10	-12	14527	1995	14091	2024	13386	2075	13199	2098				
16	-9	14976	2015	14527	2045	13800	2096	13607	2119				
19	-7	15600	2035	15132	2066	14375	2117	14174	2140				
24	-4	17424	2040	16901	2071	16056	2122	15831	2146				
32	0	18100	2070	17557	2101	16679	2154	16446	2177				
41	5	20731	1948	20109	1978	19104	2027	18836	2049				
43	6	21154	1968	20519	1998	19493	2047	19221	2070				
47	8,33	18000	1384	17460	1405	16587	1440	16355	1456				
53	12	18900	1540	18333	1563	17416	1602	17173	1620				
59	15	17010	1340	16500	1360	15675	1394	15455	1409				
64	18	16330	1233	15840	1251	15048	1282	14837	1296				
70	21	11757	851	11405	863	10834	885	10683	895				
75	24	11405	765	11062	777	10509	796	10362	805				
78	26	10492	727	10177	738	9669	757	9533	765				

Pular 25

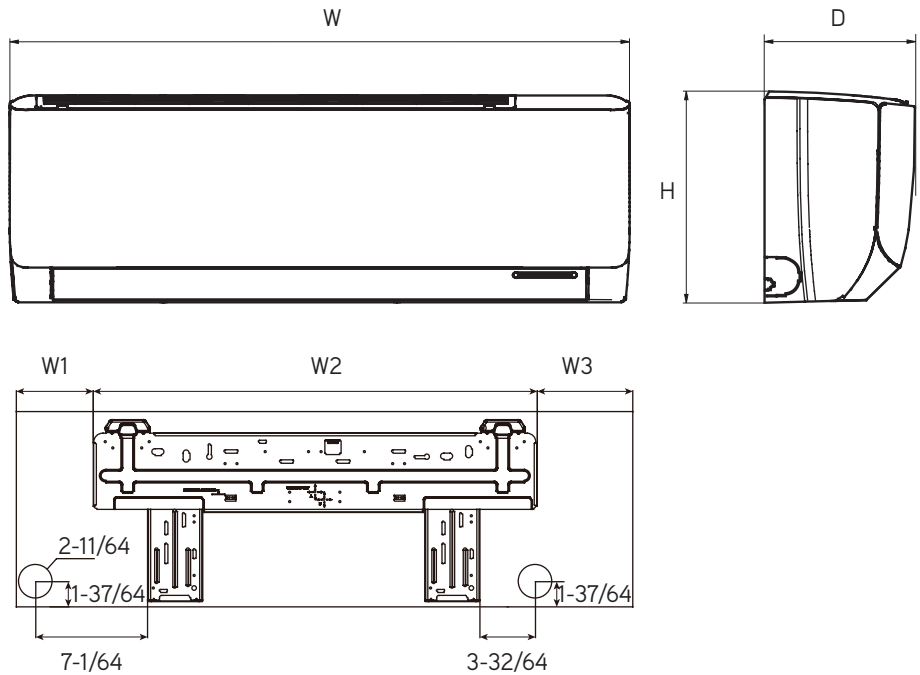
TOSOT

MODEL : TW18HXP2A1DI-
TW18HXP2A1DO

Outline Dimension Diagram

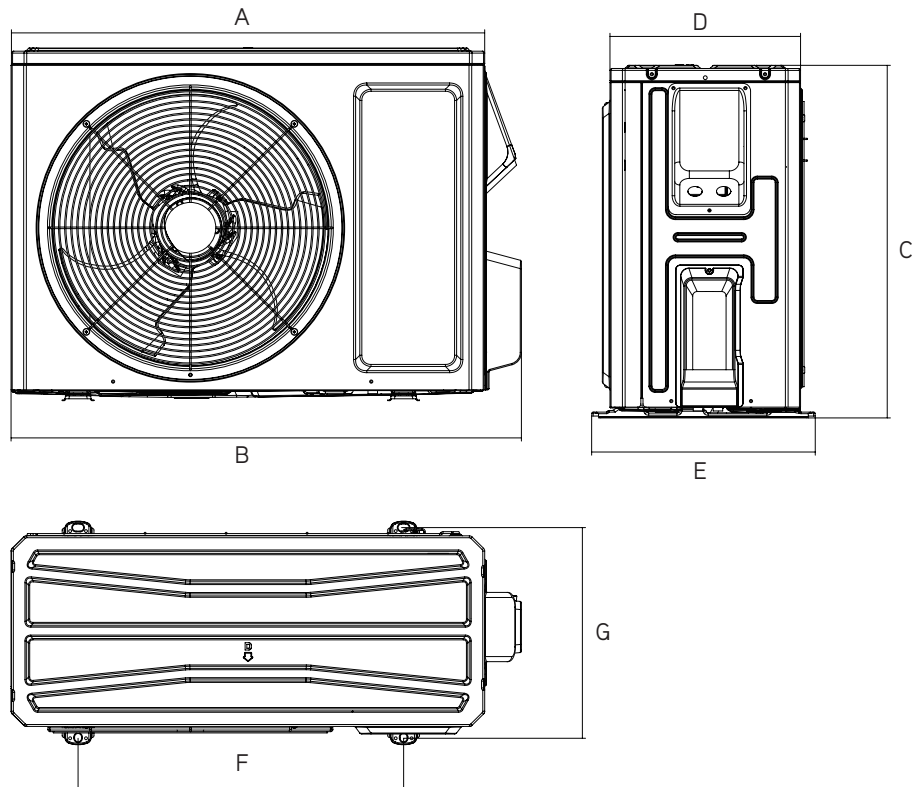
INDOOR UNIT

W	38-21/32
H	12-1/4
D	8-45/64
W1	4-53/64
W2	27-55/64
W3	5-63/64



OUTDOOR UNIT

A	35
B	37-23/32
C	25-63/64
D	13-25/64
E	15-53/64
F	22-7/16
G	14-39/64



BATHICA
TOSOT

315 Boulevard Industriel, Châteauguay,
QC, Canada J6J 4Z2

Signature

Date

Contact: +1 (450) 698-4000
info@tosotamerica.com
tosotamerica.com