

Features

- Dual control wall-mounted.
- Lever handles.
- Stationary spout.
- Less drain.
- 6-1/4" (159 mm) 35° spout from wall to center of drain.
- 1.5 gal/min (5.7 l/min) maximum flow rate [max at 60 psi (4.14 bar)].

Material

- Brass construction.

Required Accessories

K-410-K Wall-mount Valve



For complete listing of available colors, go to kohler.com.



ADA

Codes/Standards

ASME A112.18.1/CSA B125.1

NSF 61

NSF 372

ADA

ICC/ANSI A117.1

DOE - Energy Policy Act 1992

EPA WaterSense®

All applicable US Federal and State material regulations

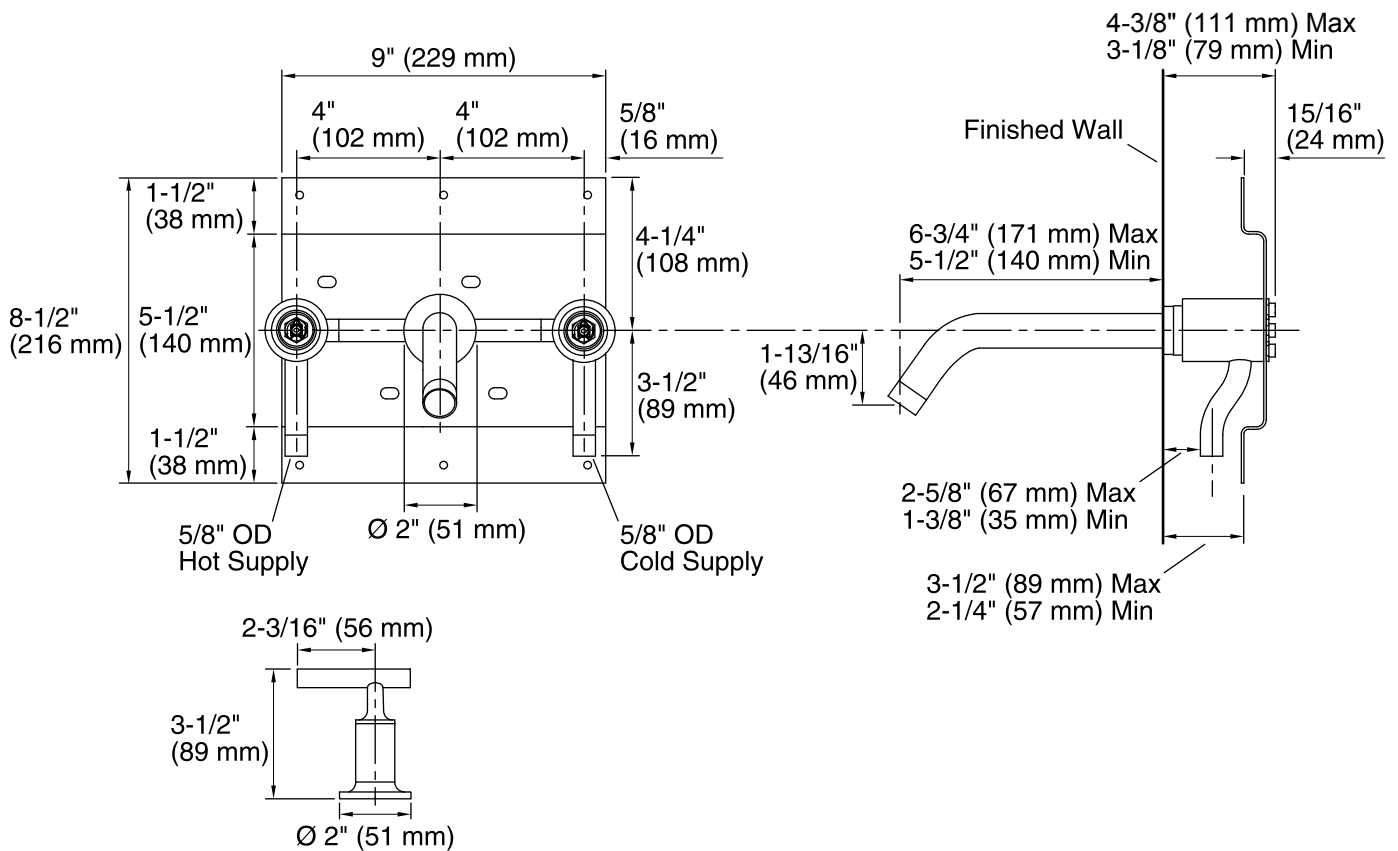
KOHLER® Faucet Lifetime Limited Warranty

See website for detailed warranty information.

Product Specification

Bathroom sink faucet trim shall be 6-1/4" (159 mm) 35° spout from the wall to center of the drain.

Bathroom sink faucet trim shall be brass construction. Bathroom sink faucet trim shall be lever handles. Bathroom sink faucet trim shall be stationary spout. Bathroom sink faucet trim shall be less drain. Bathroom sink faucet trim shall be dual control wall-mounted. Bathroom sink faucet trim shall be KOHLER Model K-T14413-4.



Technical Information

All measurements are nominal.

Spout reach: 6-3/4" (171 mm)

Faucet:

Flow rate: 1.5 gal/min (5.7 l/min)

Pressure: 60 psi (4.1 bar)

Installation Notes

Install this product according to the installation guide.

The distance between the bottom of spout and top of the fixture rim must not be less than 1-1/2" (38 mm) and not greater than 6" (152 mm).

Three 1-1/2" (38 mm) diameter cutout holes are required for spout and handles.

ADA compliant when installed to the specific requirements of these regulations.