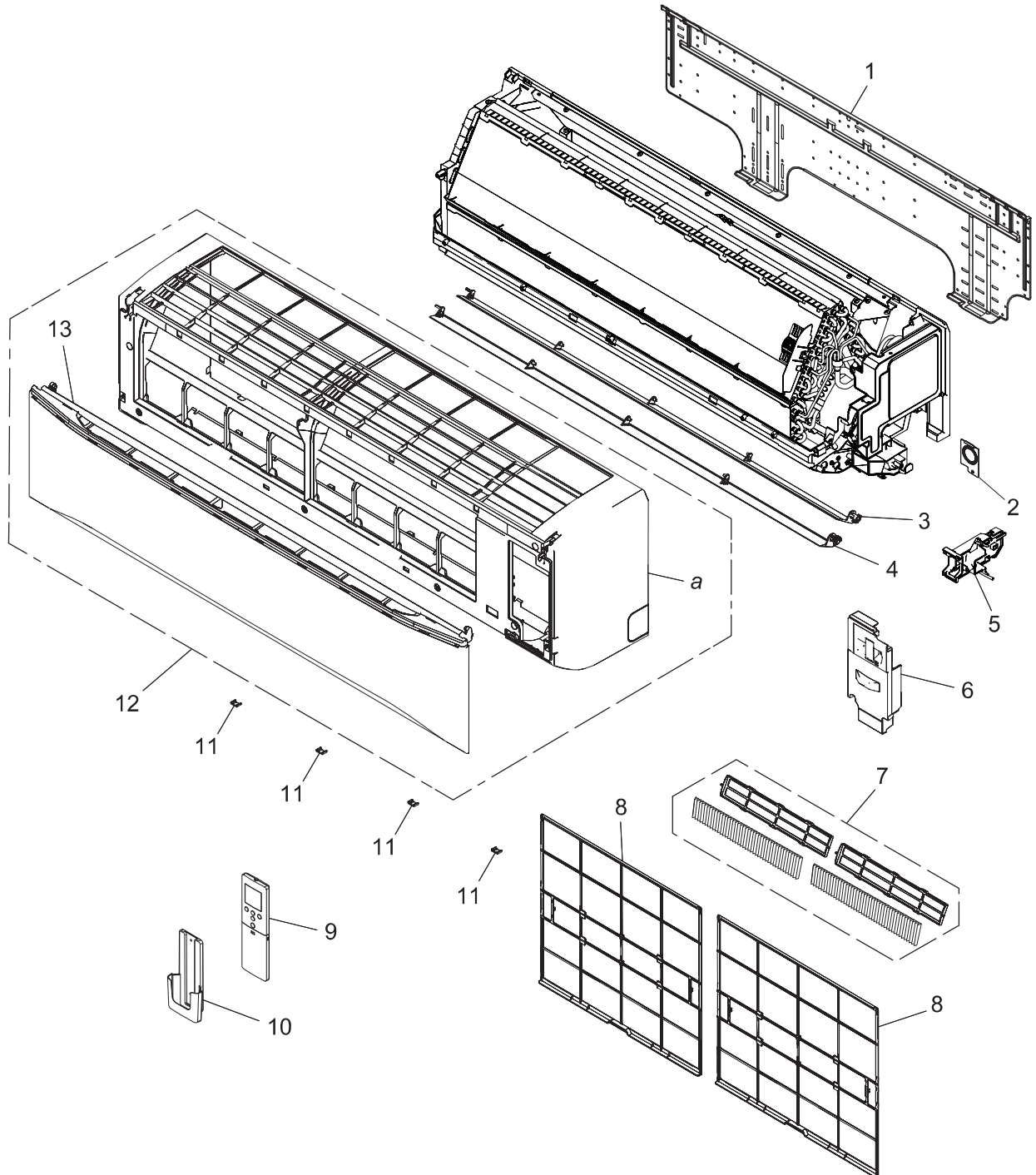


2-2. Model: ASUH24LMAS

■ Exterior parts

TECHNICAL DATA
AND PARTS LIST

TECHNICAL DATA
AND PARTS LIST



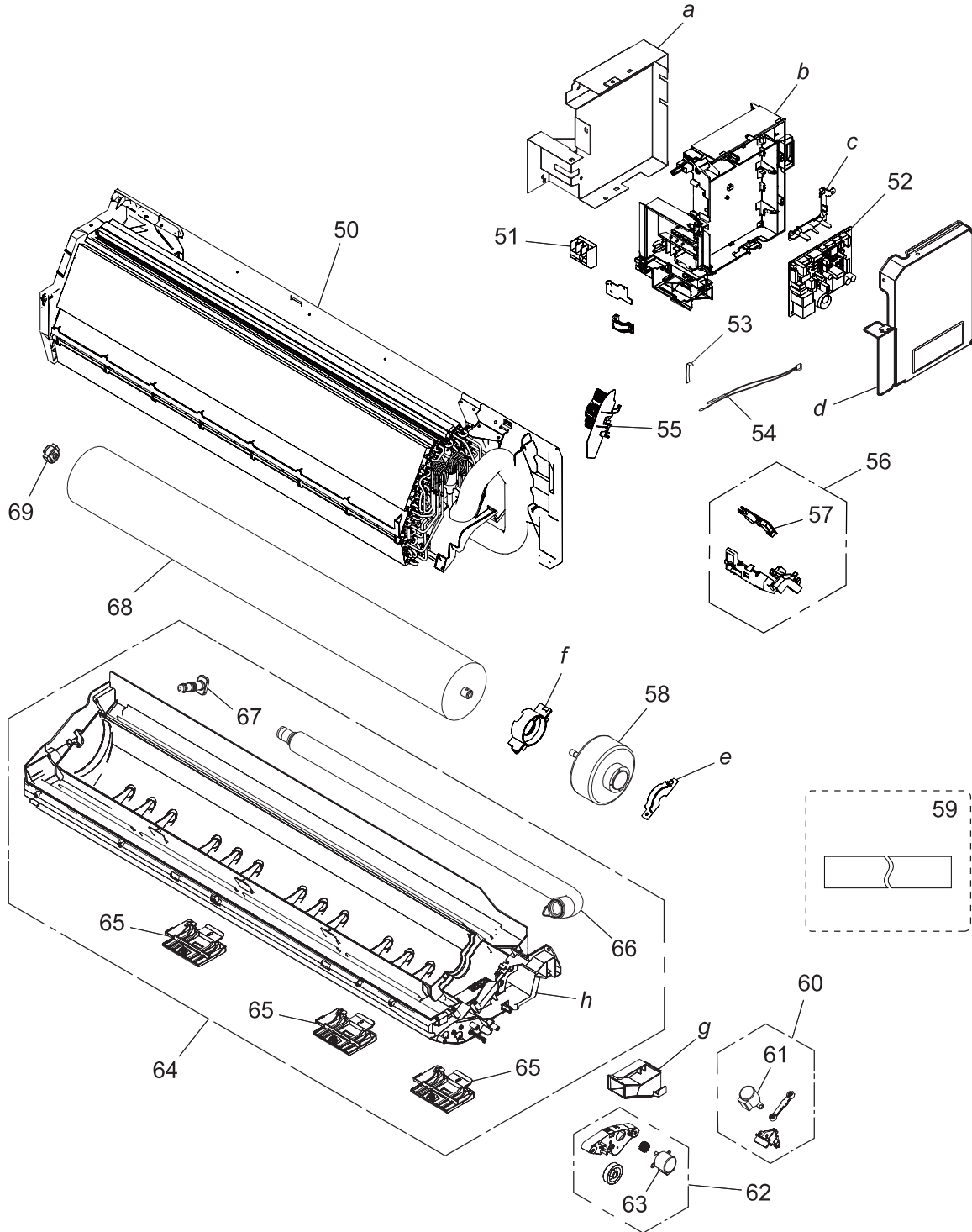
Item no.	Part no.	Part name	Service part
1	9386990004	Bracket panel	◆
2	9313951047	Conduit holder	◆
3	9386958004	Louver U	◆
4	9386959001	Louver Z	◆
5	9383765063	WLAN adapter holder assy	◆
6	9387074017	Wire cover assy	◆
7	9315212016	Air clean filter assy	◆
8	9386960007	Air filter	◆
9	9332438895	Wireless remote controller	◆
10	9318912005	Remote controller holder	◆
11	9386986007	Screw cover	◆
12	9387072211	Front panel total assy	◆
13	9382114039	Intake grille assy	◆
a	—	Front panel	—

TECHNICAL DATA
AND PARTS LISTTECHNICAL DATA
AND PARTS LIST

■ Chassis

TECHNICAL DATA
AND PARTS LIST

TECHNICAL DATA
AND PARTS LIST



Item no.	Part no.	Part name	Service part
50	9387064155	Evaporator total assy	◆
51	9901013010	Terminal	◆
52	9711732033	Main PCB	◆
53	9316577008	Thermistor spring B	◆
54	9900627027	Thermistor assy	◆
55	9386988001	Room thermistor holder	◆
56	9711146090	Display assy	◆
57	9711147035	Indicator PCB	◆
58	9603933005	DC fan motor	◆
59	9361756007	Drain hose insulation T	◆
60	9387063004	Link holder assy	◆
61	9900139186	Step motor	◆
62	9387062007	Gear cover assy	◆
63	9900384234	Step motor	◆
64	9387060034	Casing assy	◆
65	9318743012	Pipe bracket	◆
66	9388540009	Drain hose assy	◆
67	9316177017	Drain cap	◆
68	9387055009	Crossflow fan assy	◆
69	9306628017	Bearing C assy	◆
<i>a</i>	—	Box shield assy	—
<i>b</i>	—	Control box	—
<i>c</i>	—	PCB holder A	—
<i>d</i>	—	Control cover	—
<i>e</i>	—	Motor cover	—
<i>f</i>	—	Motor cover	—
<i>g</i>	—	Cable guide	—
<i>h</i>	—	Casing	—