



Ensemble™

60" x 32" End Drain Shower Base

72181120



Features

- End drain makes it perfect for replacing an existing bath without moving the drain location.
- Durable high-gloss finish.
- 60" (1524 mm) x 32" (812 mm) x 3.5" (89 mm) unit finished dimensions.

Material

- Compression molded from our exclusive Vikrell material.

Installation

- Suitable for tile down application.



Codes/Standards



CSA B45.5/IAPMO Z124
ASTM E162
ASTM E662
Greenguard UL 2818 - Gold
HUD, UM Bulletin 73

STERLING® Warranty - Fixtures Made of Solid Vikrell Material

See website for detailed warranty information.

Available Color/Finishes

Color tiles intended for reference only.

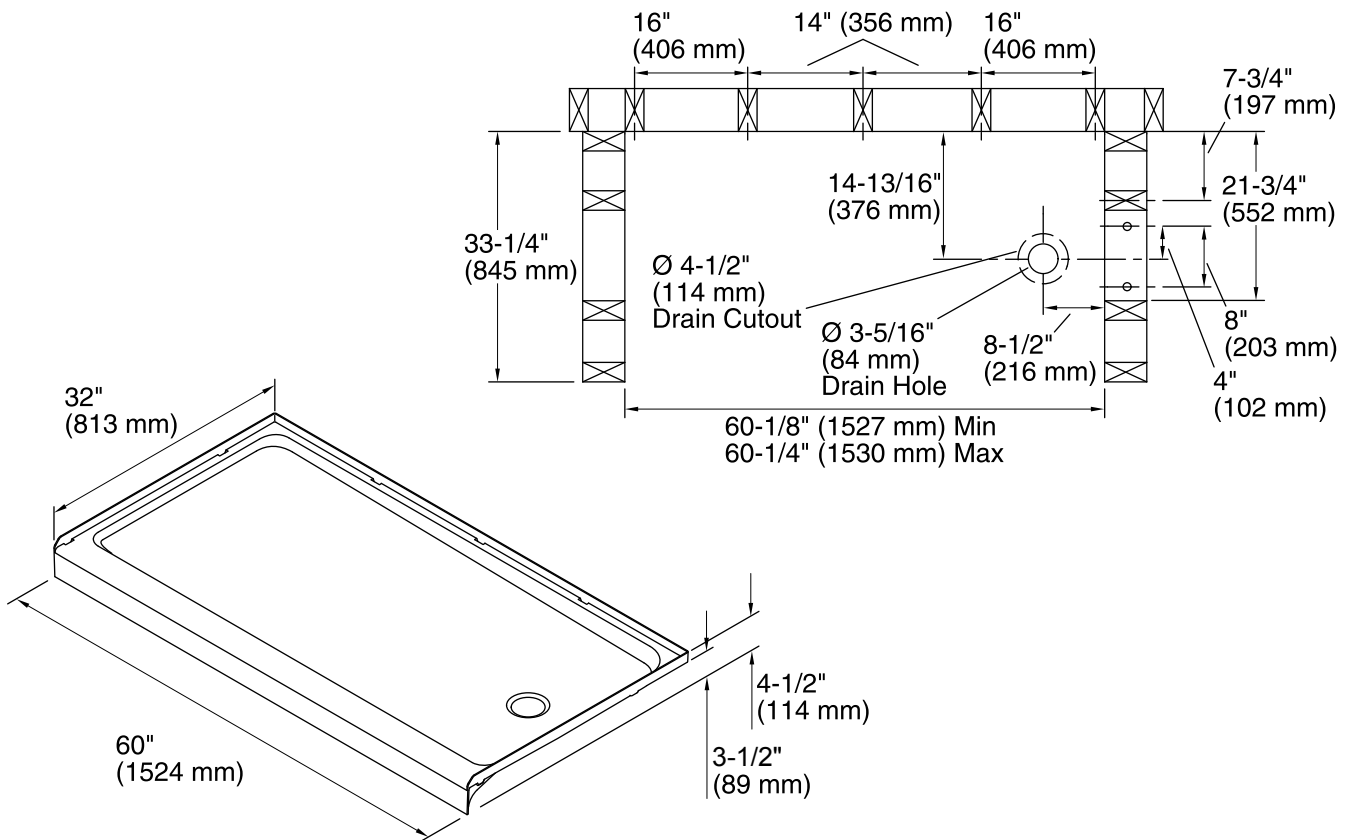
Color	Code	Description
	0	White
	96	KOHLER Biscuit

USA/Canada: 1-800-STERLING (1-800-783-7546)

Kohler Co. reserves the right to make revisions without notice to product specifications.

For the most current Specification Sheet, go to www.sterlingplumbing.com.

8-14-2016 04:53



Technical Information

All product dimensions are nominal.

- Installation: 3-Wall Alcove
- Drain location: Right
- Drain hole diameter: 3-5/16" (84 mm)
- Weight: 35.6 lbs (16.1 kg)
- Minimum flat for door: 3" (76 mm)
- Threshold height: 3-1/2" (89 mm)

Notes

- Install this product according to the installation instructions.
- Studs should be positioned roughly as shown.
- Double studding is recommended for pivot shower door installations.