

## Features

- A single handle controls both on/off activation and temperature setting
- Pressure-balancing diaphragm technology maintains outlet temperature within +/-3°F during water pressure fluctuations
- Antiscald protection
- Includes faceplate with ADA-compliant metal level handle
- Includes 6-1/16" (154 mm) diverter bath spout with slip-fit connection
- Includes single-function 1.75 gpm (6.6 lpm) showerhead
- MasterClean™ sprayface features an easy-to-clean surface that withstands mineral buildup
- Includes shower arm and flange
- Coordinates with other products in the Riff collection
- Requires Rite-Temp™ pressure-balancing valve (sold separately)

## Material

- Premium material construction with metal handle ensures reliability and durability
- KOHLER finishes resist corrosion and tarnishing

## Adapters, Rough-in and Extension Kits

10350

Range: 3-1/2" (89 mm) -  
4-1/4" (108 mm)



## Codes/Standards






ASME A112.18.1/CSA B125.1  
DOE - Energy Policy Act 1992  
EPA WaterSense™  
California Energy Commission (CEC)

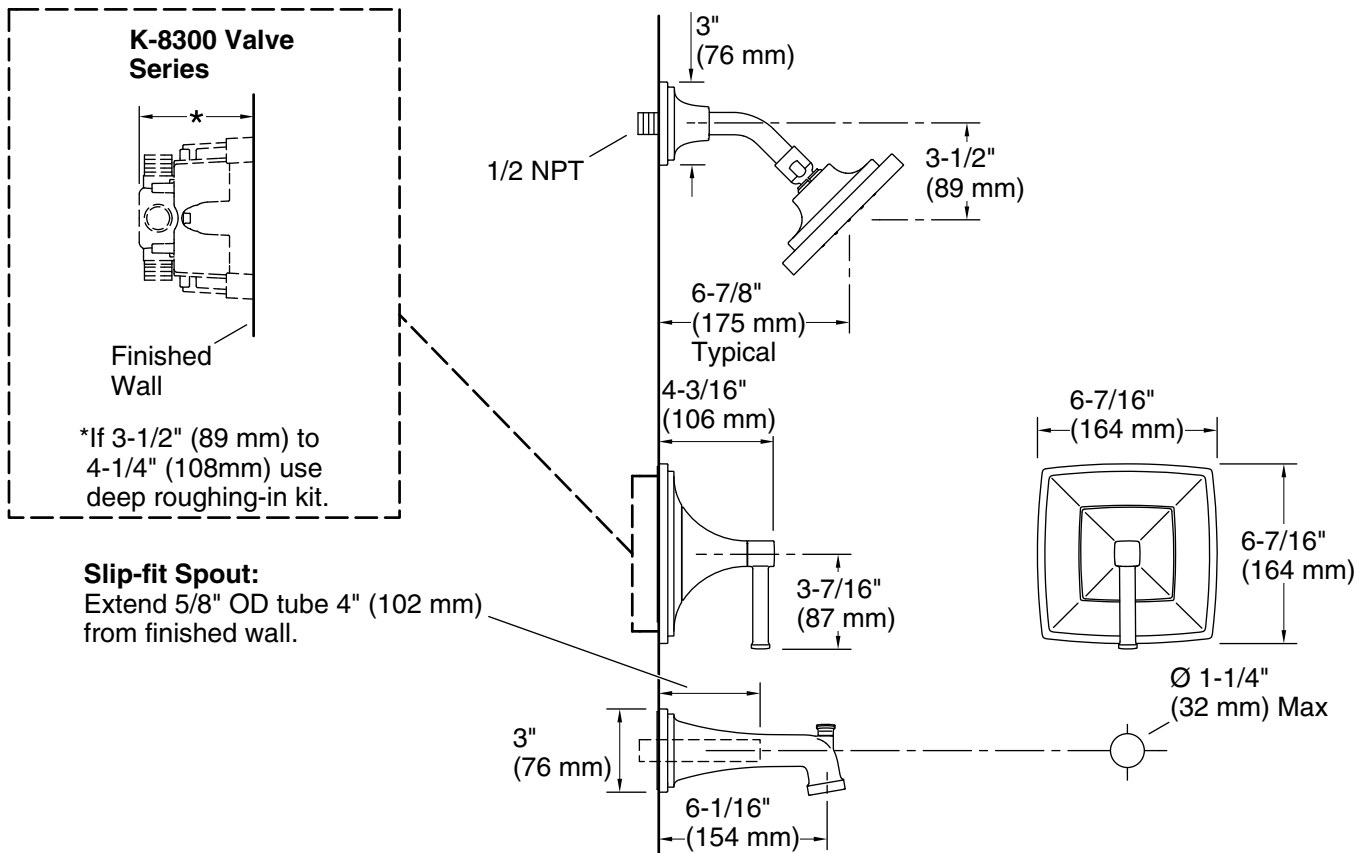
## KOHLER® Faucet Lifetime Limited Warranty

See website for detailed warranty information.

## Available Colors/Finishes

*Color tiles intended for reference only.*

Color	Code	Description
	CP	Polished Chrome
	SN	Vibrant™ Polished Nickel
	BN	Vibrant™ Brushed Nickel
	BL	Matte Black
	2MB	Vibrant™ Brushed Moderne Brass



### Technical Information

All product dimensions are nominal.

Drain included: No

### Spout:

Spout reach: 6-1/16" (154 mm)

### Showerhead/Body Spray:

Rated maximum flow: 1.75 gal/min (6.6 l/min)

Pressure: 45 psi (3.1 bar)

### Notes

Install this product according to the installation instructions.