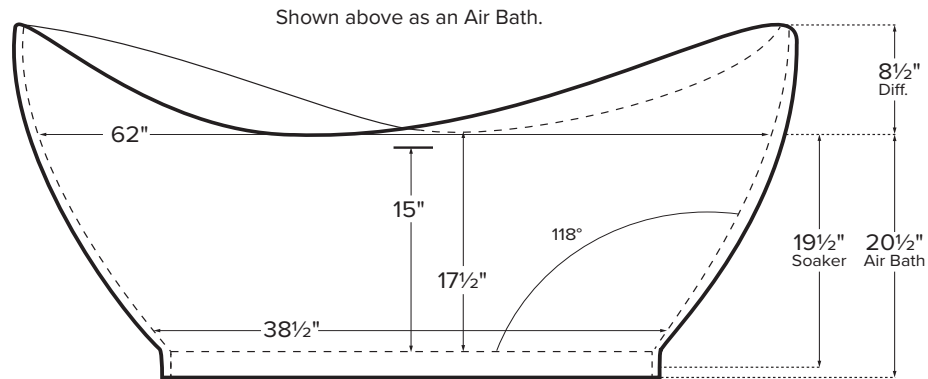
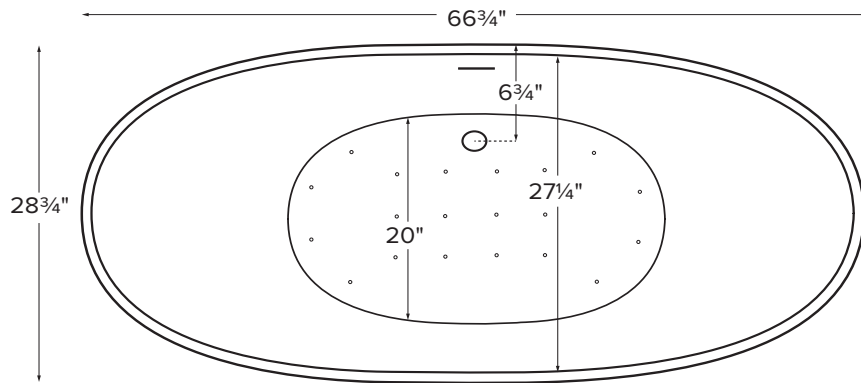


Features an integrated overflow.

<b>MODEL 222</b>
<b>66.75" x 28.75" x 19.5"/20.5"</b>
<b>FREESTANDING</b> 69 gal to overflow
<b>SculptureStone®</b>
213 lbs / 97 kg soaker 243 lbs / 110 kg airbath
Filling this tub to the maximum may require an above average size or dedicated water heater.



**ELECTRICAL COMPONENTS & SPECIFICATIONS**  
Required Electrical Service - 110 Volt

Hydrotherapy Package	Components Included	GFCI
<b>Air Massage</b>	heated blower	1-15 amp

Electrical requirements may change with the addition of optional therapy components. See specific option details or installation information.  
CSA Certified C/US; ANSI Z124.1 and ANSI 112.19.7 and ANSI 112.19.7

See the Installation & Operation Manual for more details.  
MTI's Customer Service: Monday-Friday 8am-6pm EST  
**800-783-8827** or [service@mtibaths.com](mailto:service@mtibaths.com)

**IMPORTANT ORDERING & INSTALLATION INFORMATION**

- Before ordering or installing, please consider future access to equipment.
- Includes an integrated overflow with toe tap drain in chrome finish. May be specified without an overflow (see local codes before ordering without an overflow).
- Air baths require job site preparation for remote installation of the blower and required check valve. Check valve must be installed higher than the rim of the tub.
- Waterproof remote control included with air bath. Keypad shipped loose may be remote mounted on nearby surface/wall.
- Faucet valves cannot be mounted on this tub model.

• Before discarding tub crate, check for accessories that may be packaged inside.  
• All product measurements are ±1/2".  
• Specifications and configurations are subject to change without notice.  
• Measurements herein supersede all others published prior to publication date below.



For more information on options and accessories go to SculptureStone® Tubs Options on mtibaths.com

Juliet

MODEL #: 222

66.75" x 28.75" x 19.5"/20.5"

- Blower & required check valve for airbath must be remote mounted.
- Check valve must be installed higher than the rim of the tub.
- See the Installation & Operation Manual for more details.

Hydrotherapy	Package Contents	Part #	MSRP
Soaker	Soaking bath - no jets. Includes an integrated slotted overflow with a toe-tap drain kit. • Overall soaker height is 28" at the backrest, and step in height is 19.5".	S222	\$9,420
Air Bath	20 air jets, heated air blower, keypad, waterproof remote control, integrated slotted overflow with a toe-tap drain kit. • Overall air bath height is 29" at the backrest and step in height is 20.5".	AST222	\$14,810

Options <small>Must be ordered at time of purchase</small>
<b>Quick Ship</b> (QSPRI2) <b>\$1,025</b> reduces lead time <i>Please call for availability</i>
<b>Standard Color</b> White, matte finish <b>Biscuit Color Upgrade</b> (SSBI) <b>\$310</b> matte finish <i>Additional material colors available for projects only. Please call MTI.</i>
<b>Hand-Polished Deep Gloss Finish</b> (SSGLOSS) <b>\$1,140</b> upcharge For white or biscuit
Accessories
<b>Teak Bath Mat</b> (TKMAT3018) <b>\$815</b> Measures 30" x 17.5" x 1" <i>Custom sizes also available. Contact MTI for details.</i>
<b>Floor-Mounted High-Flow Tub Filler</b> Contemporary Chrome (FILLC) <b>\$1,480</b> Brushed Nickel (FILLBN) <b>\$1,710</b>

Boutique Accessories
<b>Packaging / Handling Fee Applies</b>
<b>SculptureStone® Bathroom Table</b> (TABLE) <b>\$825</b> matte finish <b>+\$430</b> gloss finish upcharge (SSGLOSSSNK) <i>Order with tub for best color match</i>
<b>SculptureStone® Standard Faucet Stand</b> Small - 3-hole capacity 14¼" w x 21¾" h Matte (STAND) <b>\$725</b> Large - 5-hole capacity 22" w x 21¾" h Matte (STANDL) <b>\$855</b> <b>+\$430</b> gloss finish upcharge (SSGLOSSSNK)
<b>SculptureStone® Premium Faucet Stand</b> <b>15" w x 39" h</b> Matte (SSFSR3915MT) <b>\$2,365</b> Gloss (SSFSR3915GL) <b>\$2,720</b> <b>10" w x 39" h</b> Matte (SSFSR3910MT) <b>\$2,135</b> Gloss (SSFSR3910GL) <b>\$2,525</b> <b>20" w x 23" h</b> Matte (SSFSR2320MT) <b>\$1,930</b> Gloss (SSFSR2320GL) <b>\$2,315</b> <b>15" w x 23" h</b> Matte (SSFSR2315MT) <b>\$1,825</b> Gloss (SSFSR2315GL) <b>\$2,180</b>

**Drains & Overflow Kits** Must be ordered at time of purchase

**Toe Tap Drain Cover Finishes**  
PVC drain - Chrome included  
**+\$50** upcharge Br. Nickel (WIOBN), Pol. Nickel (WIOPN)  
**+\$85** upcharge Matte Black (WIOMB)  
**+\$105** upcharge Oil-Rubbed Bronze\* (WIOOR)  
**+\$640** upcharge Special Finish\* (WIOSF)  
*Send finish sample to MTI Baths for best match.*

**Toe Tap SculptureStone® Drain Cover Finishes**  
Upgrade is in lieu of standard chrome to tap drain cover.  
White only  
**+\$90** upcharge Matte Finish (SSWIOMT)  
**+\$110** upcharge Gloss Finish (SSWIOGL)  
**Brass Tailpiece** (WIOBS) **\$85** in addition to finish charge listed above  
**Quick Drain Kit** (WOQ) **\$460**

\* MTI has selected an oil-rubbed bronze finish that is compatible with Delta and many other manufacturers. To ensure best match, order as a Special Finish and submit a sample.

\* Allow 2-4 weeks lead time for Special Finishes. Send sample for best match.

