

# REPAIR PARTS

Replacement parts may be ordered through your plumber or the local distributor. Parts will be shipped at prevailing prices and billed accordingly.

NOTICE: When ordering replacement parts, have the following information ready:

- Model and serial number
- Type of gas used
- Item number
- Parts description

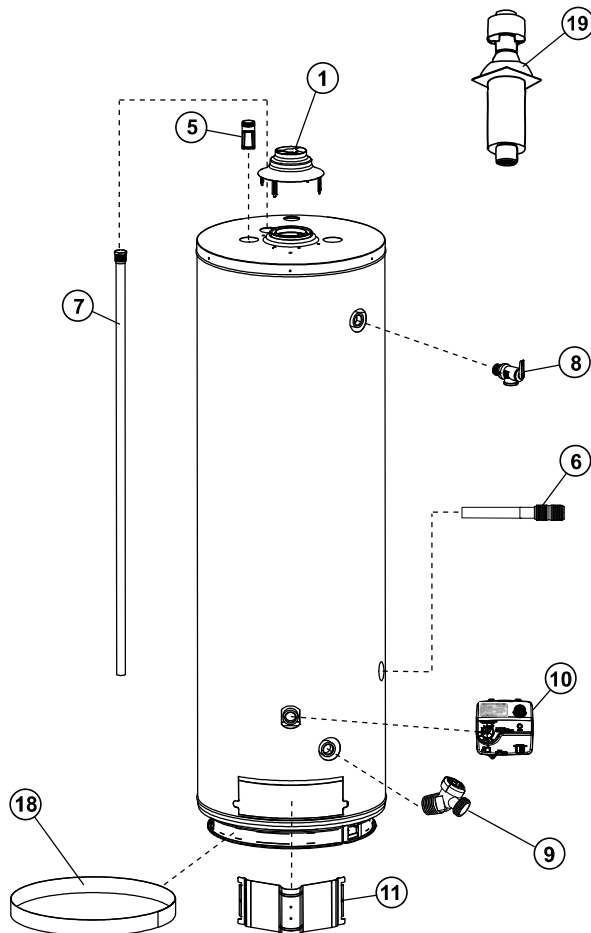
## Legend

- ▲ Special anode rod (see page 25)
- Temperature and Pressure Relief Valve is required but may be factory installed
- ★ Unique: Flammable Vapor Ignition Resistant Safety System parts

## PARTS LIST

Item No.	Parts Description	
1	DRAFT HOOD	
2	REDUCER RING - SOME MODELS	(NOT SHOWN)
3	FLUE BAFFLE	(NOT SHOWN)
4	HEAT TRAP (COLD) - NOT APPLICABLE/SIDE CONNECT	
5	HEAT TRAP (HOT) - SOME MODELS	
6	COLD WATER DIP TUBE	
7	ANODE ROD	▲
8	TEMPERATURE & PRESSURE RELIEF VALVE (LOCATED TOP OR SIDE)	■
9	DRAIN VALVE	
10	GAS CONTROL VALVE/THERMOSTAT (with thermal switch wire lead)	★
11	OUTER DOOR	★
12	PILOT/THERMOPILE ASSEMBLY KIT	★
13	BURNER (Natural Gas/Low Nox)	★
14	MANIFOLD DOOR ASSEMBLY	
15	MANIFOLD COMPONENT BLOCK	
16	MANIFOLD DOOR GASKET	★
17	VIEWPORT ASSEMBLY	
18	BASE RING AIR FILTER	
19	Roof Jack 12" (9002964)*	
19	Roof Jack 32" (9002965)*	
19	Roof Jack 60" (9002966)*	
19	Roof Jack 95" (9002967)*	

\* Roof jack sold separately.



# REPAIR PARTS LIST

## LISTED PARTS KITS AND ILLUSTRATIONS

Item 12: Pilot assembly kit, which contains the pilot assembly, thermopile, and retainer clip (Natural Gas or L.P.)

Item 13: Burner (Natural Gas or L.P. Gas)

Item 14: Manifold door assembly which contains the manifold tube, gasket, door, pilot tube, thermopile, manifold component block with retainer clip, thermal switch, and pilot assembly. (Natural Gas/Low Nox or L.P.)

Item 15: Contains manifold component block and retainer clip

Item 16: Contains manifold door gasket

Item 17: Contains viewport

