

Features

- Metal construction
- Quarter-turn washerless ceramic disc valves
- For 4" (102 mm) centers
- Lever handle
- Pop-up drain with tailpiece
- 4-1/2" (114 mm) spout reach
- 1.5 gal/min (5.7 l/min) maximum flow rate
- Integrated supply hoses with 3/8" compression connection

**CENTERSET BATHROOM SINK
FAUCET
K-5316**

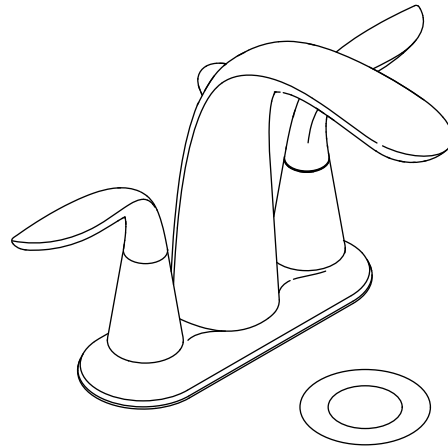
ADA **CSA B651** **OBC**



Codes/Standards Applicable

Specified model meets or exceeds the following at date of manufacture:

- ADA
- ICC/ANSI A117.1
- CSA B651
- OBC
- ASME A112.18.1/CSA B125.1
- NSF 61
- EPA WaterSense®
- All applicable US Federal and State material regulations



Colors/Finishes

- CP: Polished Chrome
- Other: Refer to Price Book for additional colors/finishes

Specified Model:

Model	Description	Color/Finish	
K-5316-4	Centerset bathroom sink faucet	<input type="checkbox"/> CP	<input type="checkbox"/> Other ____

PRODUCT SPECIFICATION

The centerset bathroom sink faucet shall be made of metal construction. Faucet shall have integrated supply hoses with 3/8" compression connection. Faucet shall have a 1.5 gal/min (5.7 l/min) maximum flow rate. Faucet shall feature quarter-turn washerless ceramic disc valves. Faucet shall be for 4" (102 mm) centers. Faucet shall feature a 4-1/2" (114 mm) spout reach, a pop-up drain with tailpiece, and lever handles. Faucet shall be Kohler Model K-5316-4-_____.

REFINIA™

Optional Accessories

1201610

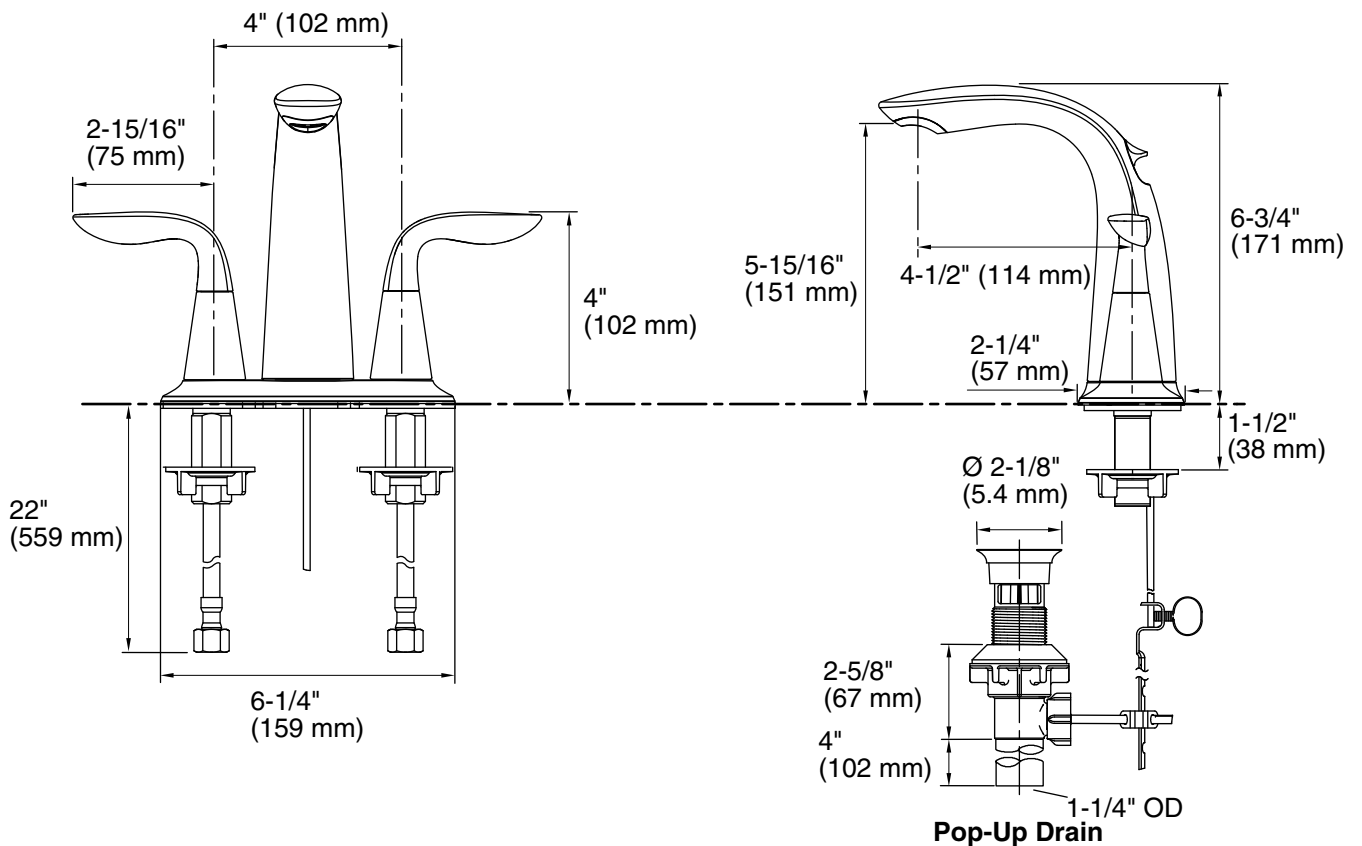
Low flow kit – reduces maximum flow to 1.0 gal/min (3.8 l/min) at 60 psi (4.1 bar)

NA

Installation Notes

Install this faucet following the installation instructions provided.

ADA, CSA B651, OBC compliant when installed to the specific requirements of these regulations.



Product Diagram