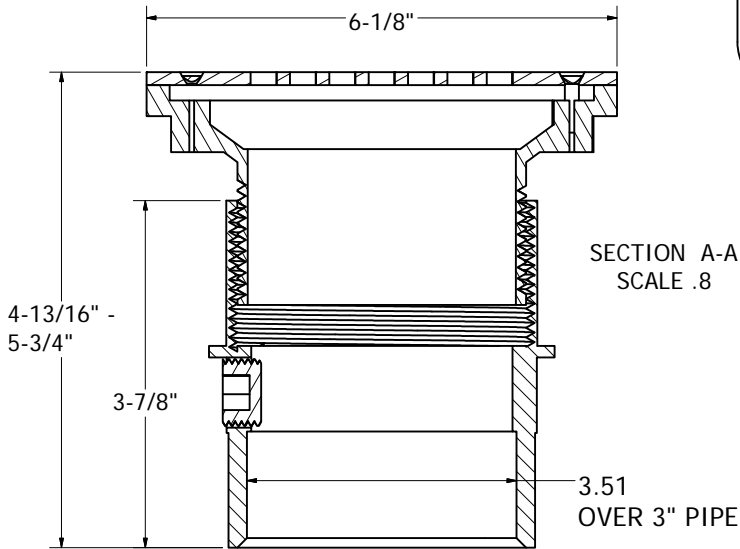
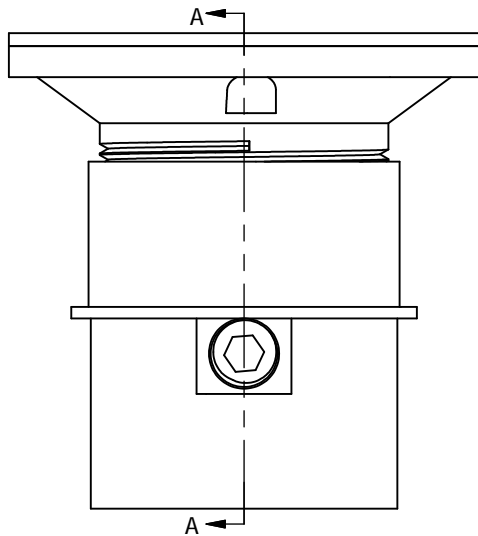
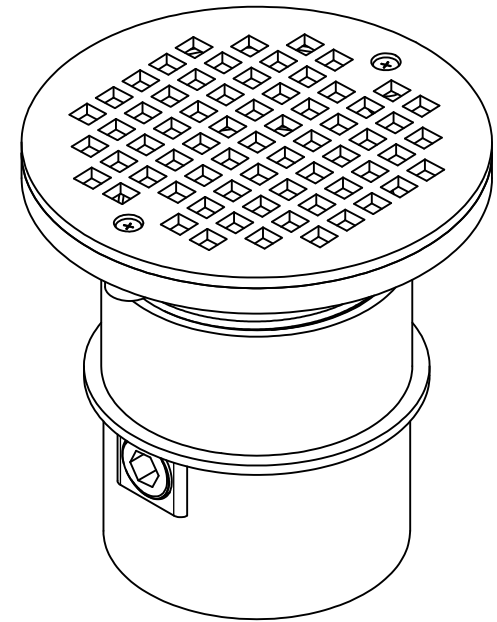
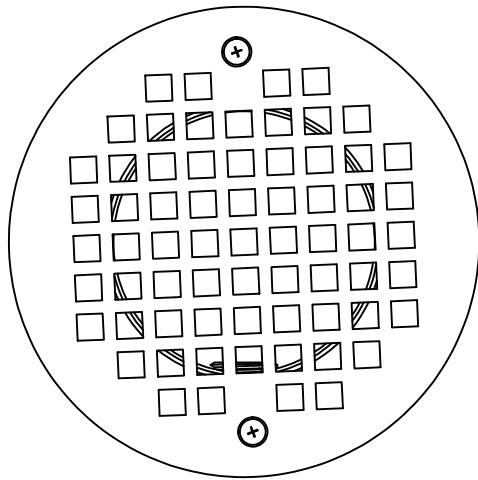


3" OVER PIPE FIT BASE WITH 3" PLASTIC SPUDS 6" ROUND STRAINER FITS OVER 3" SCHEDULE 40 DWV PIPE



PHONE NUMBER 1-800-355-6637	PART NO.	D53100	D53101	D53104	D53105	D53106	D53107	D53102	D53103
FAX NUMBER 1-800-462-6991	STRAINER	6" SS	6" SS	6" PB	6" PB	6" NB	6" NB	6" CP	6" CP
SCALE .8 : 1	MATERIAL	PVC	ABS	PVC	ABS	PVC	ABS	PVC	ABS
DATE 11-16-10									
SHEET 1 OF 1									
DRAWN BY ASHLEY KRALOVEC									