



**Features**

- Durable swirl gloss finish.
- Suitable for tile down application or with STERLING wall surround.
- 1/2" (13 mm) threshold with 1/2" (13 mm) finished floor.
- 63-1/4" (1067 mm) x 39-3/8" (1000 mm) x 7" (177 mm) base finished dimensions.

**Material**

- Compression molded from our exclusive Vikrell® material.



**ADA**

**Codes/Standards**

- CSA B45.5/IAPMO Z124
- ASTM E162
- ASTM E662
- Greenguard UL 2818 - Gold
- ADA
- ICC/ANSI A117.1

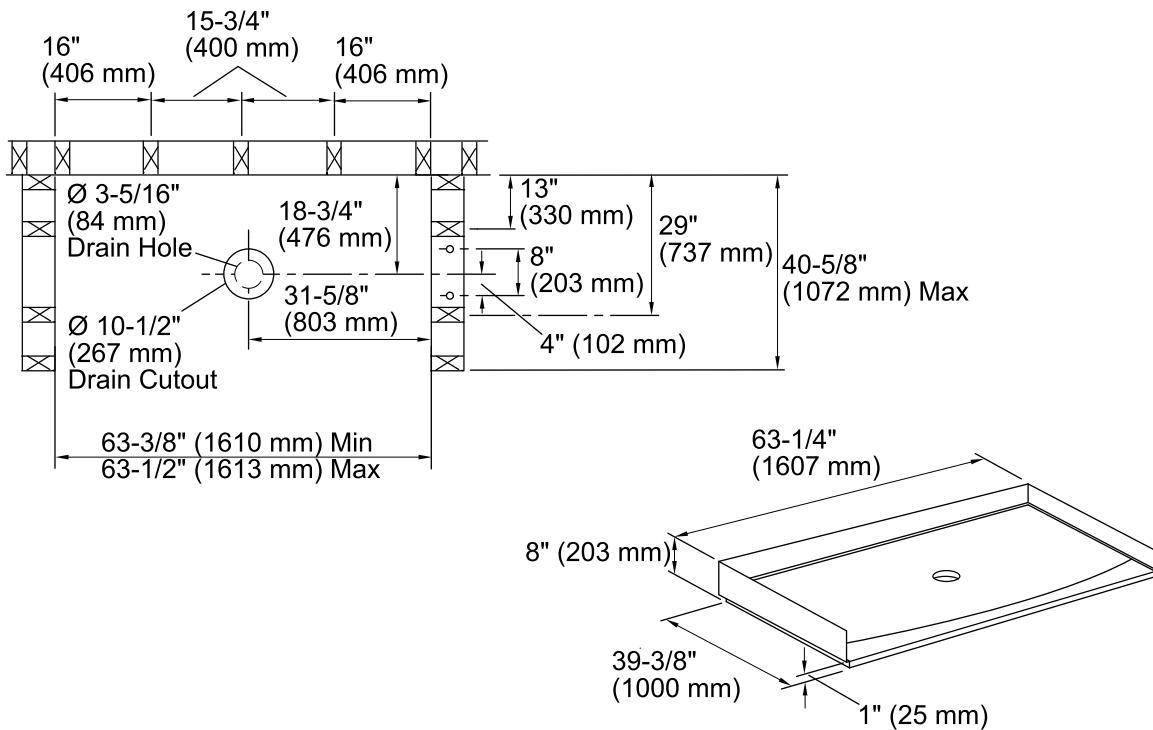
**STERLING® Warranty - Fixtures Made of Solid Vikrell Material**

See website for detailed warranty information.

**Available Color/Finishes**

*Color tiles intended for reference only.*

Color	Code	Description
	0	White
	96	KOHLER Biscuit



### Technical Information

All product dimensions are nominal.

Installation: 3-Wall Alcove

Drain location: Center

Minimum flat for door: 2-1/2" (64 mm)

Threshold height: 1/2" (13 mm)

### Notes

Install this product according to the installation instructions.

Drain cutout in subfloor to be 10-1/2" (267 mm) per rough-in illustration below to allow the backside of the drain to sit below the subflow surface.

1/2" minimum finished floor thickness required.

Studs should be positioned roughly as shown.

ADA compliant when installed to the specific requirements of these regulations.