

Features

- Diverter spout with slip-fit connection
- 6-1/16" (154 mm) spout reach
- 1-1/4" (31.8 mm) max hole diameter
- Coordinates with other products in the Riff collection

Material

- Premium metal construction for durability and reliability
- KOHLER finishes resist corrosion and tarnishing

Installation

- Wall-mount



Codes/Standards






ASME A112.18.1/CSA B125.1
California Energy Commission (CEC)

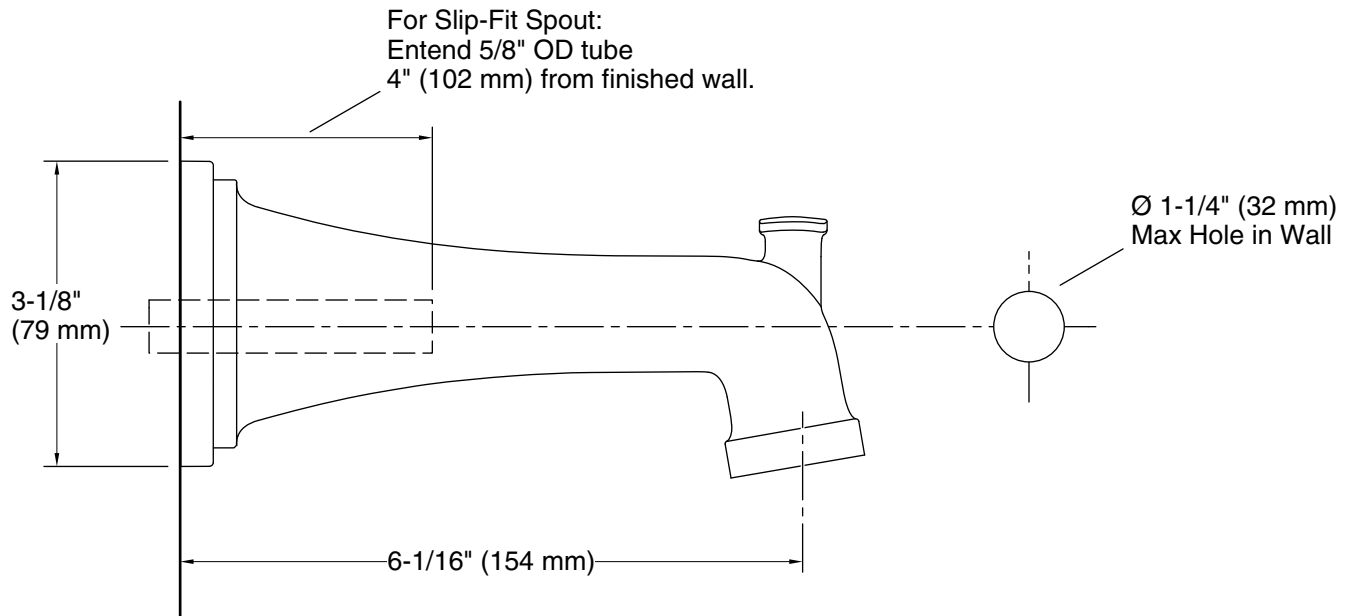
KOHLER® Faucet Lifetime Limited Warranty

See website for detailed warranty information.

Available Colors/Finishes

Color tiles intended for reference only.

Color	Code	Description
	CP	Polished Chrome
	SN	Vibrant™ Polished Nickel
	BN	Vibrant™ Brushed Nickel
	BL	Matte Black
	2MB	Vibrant™ Brushed Moderne Brass



Technical Information

All product dimensions are nominal.

Drain included: No

Spout:

Spout reach: 6-1/16" (154 mm)