

Features

- 36-inch minimum base cabinet width.
- Double equal bowls.
- 7-1/2-inch depth.
- No faucet holes.
- Rear drain increases workspace in the sink and storage space underneath.
- SilentShield Plus® sound-absorption technology helps maintain water temperature, reduces condensation, and decreases noise.
- Includes installation hardware.

Material

- 18-gauge stainless steel.

Installation

- Under-mount

Recommended Accessories

K-6388 Stainless Steel Sink Rack
3294
8801



For complete listing of available colors, go to kohler.com.

Codes/Standards

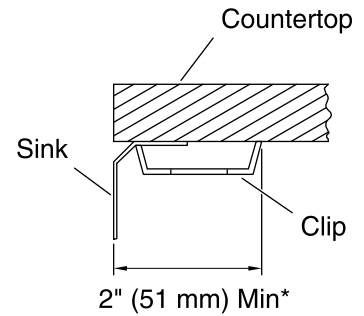
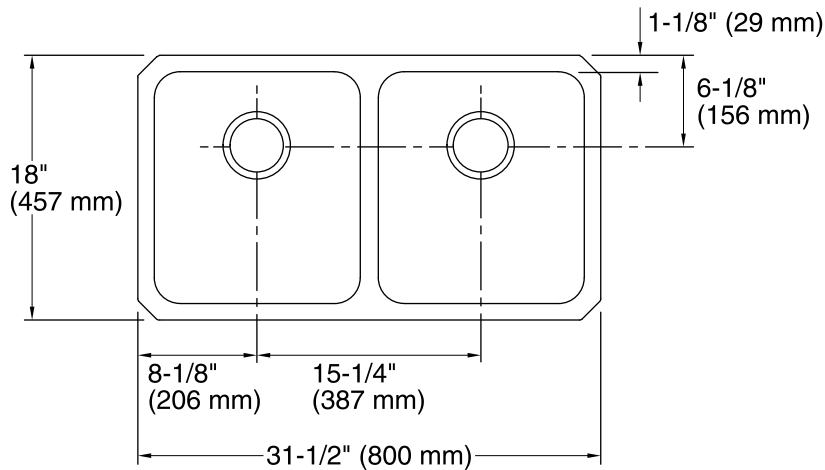
ASME A112.19.3/CSA B45.4

Lifetime Limited Warranty for KOHLER® Stainless Steel Sinks

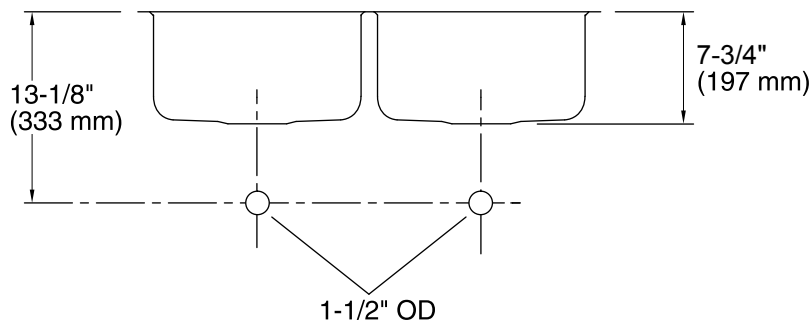
See website for detailed warranty information.

Product Specification

Kitchen sink shall be 31-1/2" (800 mm) in length and 18" (457 mm) in width. Kitchen sink shall be made of 18-gauge stainless steel. Kitchen sink shall be a double (equal) bowls. Kitchen sink shall be without faucet holes. Kitchen sink shall be under-mount installation. Kitchen sink shall be KOHLER Model K-3350.



* Allow clearance around sink rim for clip attachment.



Technical Information

All measurements are nominal.

Bowl configuration:	Double equal
Installation:	Under-mount
Bowl area (Left)	Length: 14" (356 mm) Width: 15-3/4" (400 mm) Bowl depth: 7-1/2" (191 mm) Water depth: 7-1/2" (191 mm)
Bowl area (Right)	Length: 14" (356 mm) Width: 15-3/4" (400 mm) Bowl depth: 7-1/2" (191 mm) Water depth: 7-1/2" (191 mm)
Drain hole:	3-3/4" (94 mm)
Template:	Under-mount, 1221369-7, required, included

Installation Notes

Install this product according to the installation guide.