



A KOHLER COMPANY

## Ensemble™

60" x 30" Shower Receptor  
72171120



### Features

- Perfect size for replacing an existing bath. Easy to install. Drain is located in the same position as existing bath.
- Durable high-gloss finish.
- 60" (1524 mm) x 30" (762 mm) x 4" (102 mm) unit finished dimensions.

### Material

- Compression molded from our exclusive Vikrell® material.

### Installation

- Suitable for tile down application.



### Codes/Standards

CSA B45.5/IAPMO Z124  
ASTM E162  
ASTM E162

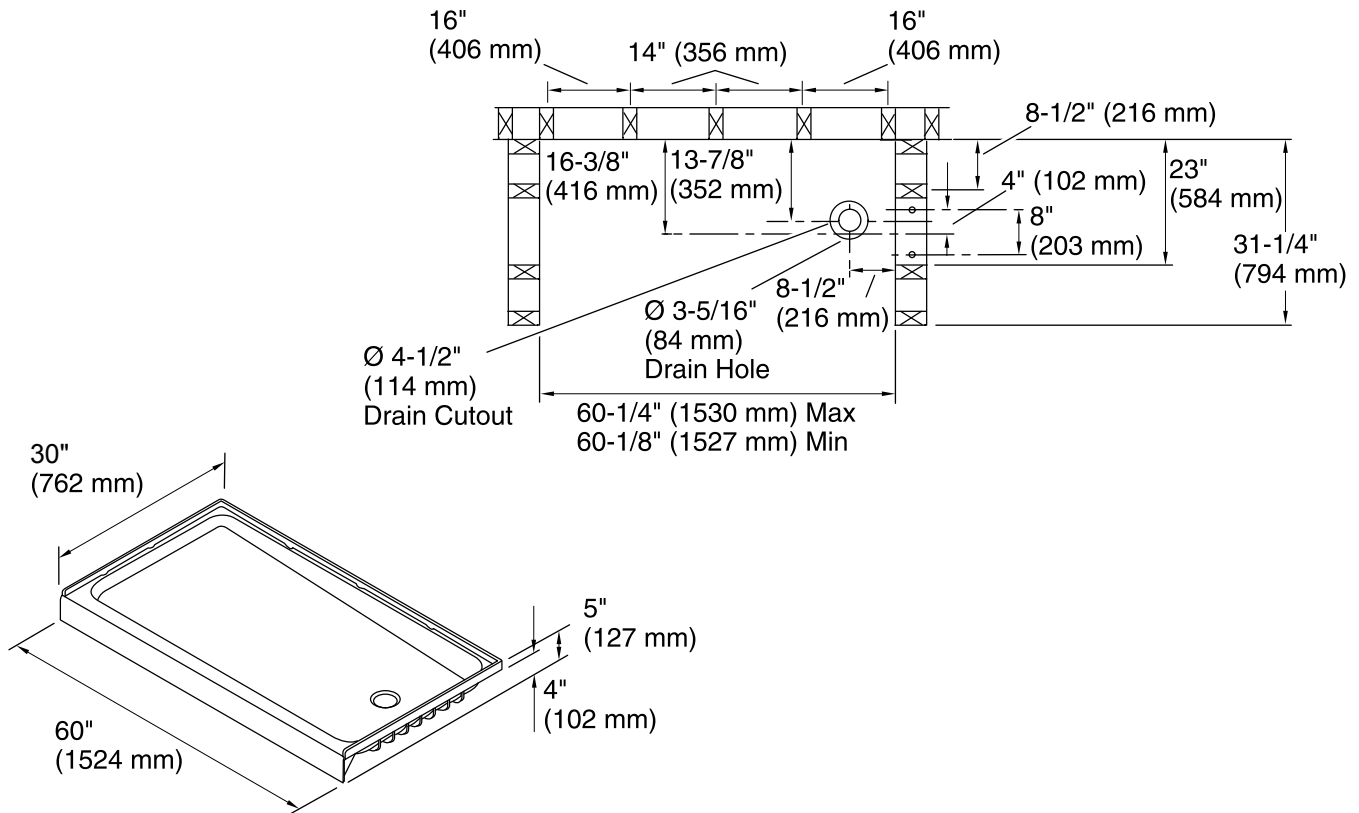
### STERLING® Warranty - Fixtures Made of Solid Vikrell Material

See website for detailed warranty information.

### Available Color/Finishes

*Color tiles intended for reference only.*

Color	Code	Description
	0	White
	96	Biscuit



**Technical Information**

All product dimensions are nominal.

Installation: 3-Wall Alcove

Drain location: Right

Weight: 38 lbs (17.2 kg)

**Notes**

Install this product according to the installation guide.

Double studding is recommended for pivot shower door installations.

Studs should be positioned as shown.