

Parts List

2-Strand Oil Filter Assembly, 9543 012

Replacement Filter Inserts:
 7133 088 felt insert, 50-75µm
 7439 226 sintered plastic insert, 50-75µm

Ordering Replacement Parts:
 Order replacement components from your Viessmann distributor.

Parts

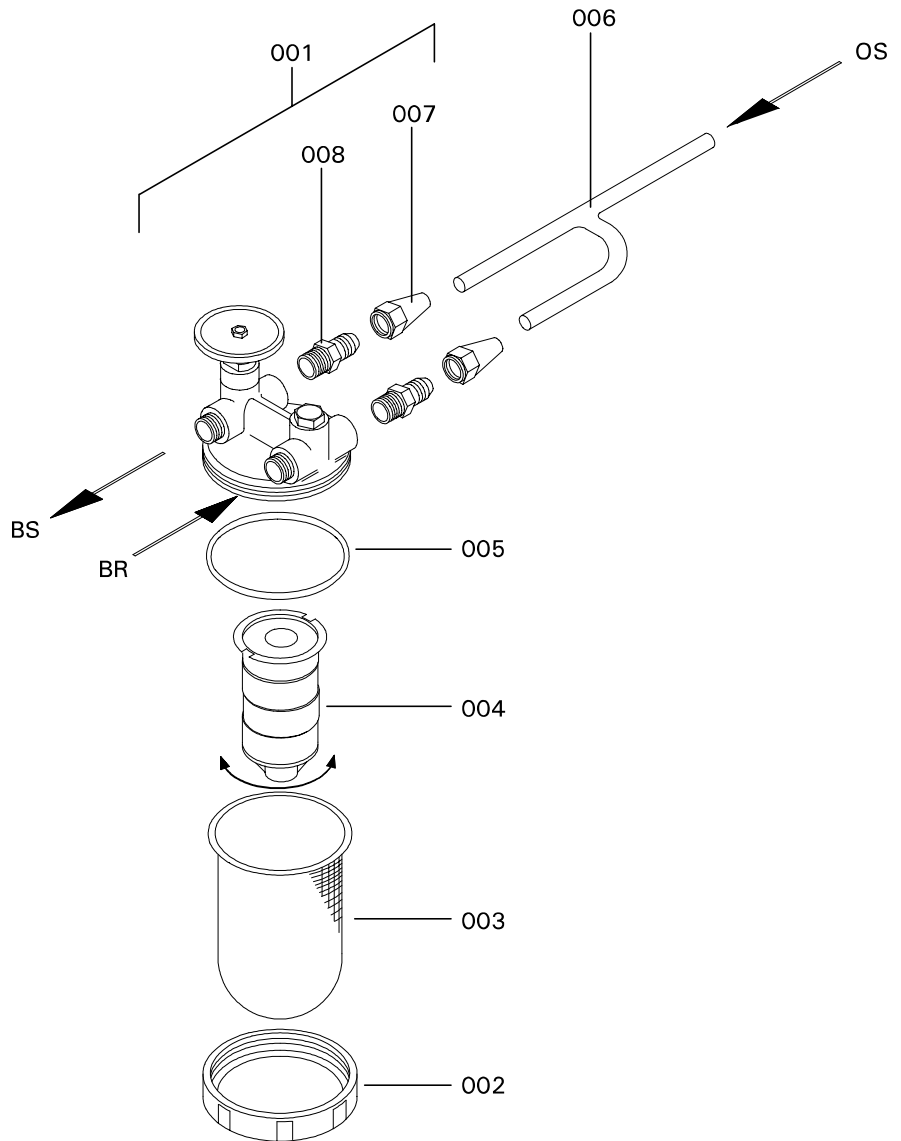
- 001 Oil filter assembly (2 strand) with filter insert
- 002 Brass nut
- 003 Clear plastic cup
- 004 Oil filter insert with O-ring
- 005 O-ring
- 006 Oil filter tee assembly (optional)
- 007 Flare nuts
- 008 Filter adaptors
- 009 Wall-mount bracket

Other Parts (not illustrated)
 100 Parts List

- OS Oil supply
- BS Burner oil supply via flexible oil line (red braided stripe)
- BR Burner oil return via flexible oil line (blue braided stripe)

When replacing filter insert:

1. Electrically disconnect boiler and burner.
2. Close oil supply valve on oil filter.
3. Place pail below filter housing.
4. Loosen brass nut and remove plastic cup.
5. Remove O-ring and discard.
6. Twist filter insert and remove. This is a disposable filter. Please dispose of properly. Do **not** attempt to clean or reuse.
7. Ensure all surfaces are clean before installing new O-ring with filter insert.
8. Set O-ring in place and mount new filter insert.
9. Reinstall clear plastic cup and hand-tighten brass nut.



IMPORTANT

Never tighten brass nut 002 using a tool. Hand tighten only - cap and/or O-ring might deform and leak air.

Please file in Service Binder

5167 206 2/2010