

65" PELHAM ACRYLIC FREESTANDING TUB

Cat. No.
ATOVN65LIG-XX



L: 64-3/4"
W: 31"
H: 23"

Water depth: 17-3/4" to top of tub
Water depth: 13-1/4" to overflow
Overflow hole diameter: 3-3/4"
Center drain to back of rim: 15-1/2"

Features:

- ▶ Interior and exterior walls acrylic sheets
- ▶ Overflow slot with integrated drain
- ▶ Drain included
- ▶ Drain and overflow cover included
- ▶ Rim is 3" wide
- ▶ No faucet holes
- ▶ Includes built-in adjusters
- ▶ Tub is thoroughly inspected before shipment
- ▶ Option to add foam insulation between tub walls available



Finishes:

WT White

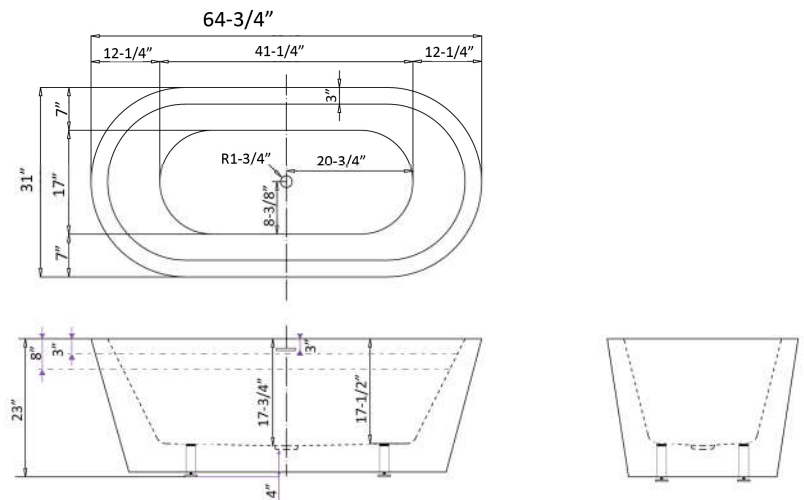
Custom Colors Available (inside of tub is always white enamel):
Painted bathtubs are considered "special order" and are not returnable
\$160 Bisque or Black \$250 Designer Color

The following is recommended for
ATOVN65L tubs:
•Freestanding filler: part #7932,7952 or 7918
(Does not need bath supplies)



**For easier installation we
recommend use of 5598-ITD
Easy Install Rough In Kit**

Gallon Capacity: 46
Shipping Weight: 230 lbs.
Empty Weight: 120 lbs.
Filled Weight: 504 lbs.



Dimensions of fixture are nominal and specifications subject to change without notice.