

Features

- Metal construction.
- Quarter-turn washerless ceramic disc valves.
- For 8" (20.3 mm) or 16" (406 mm) centers.
- Lever handle.
- Pop-up drain with tailpiece.
- 4-1/2" (114 mm) spout reach.
- 1.5 gal/min (5.7 l/min) maximum flow rate [max at 60 psi (4.14 bar)].



For complete listing of available colors, go to kohler.com.



ADA

CSA B651

OBC

Codes/Standards

ASME A112.18.1/CSA B125.1

NSF 61

NSF 372

ADA

ICC/ANSI A117.1

DOE - Energy Policy Act 1992

EPA WaterSense®

CSA B651

OBC

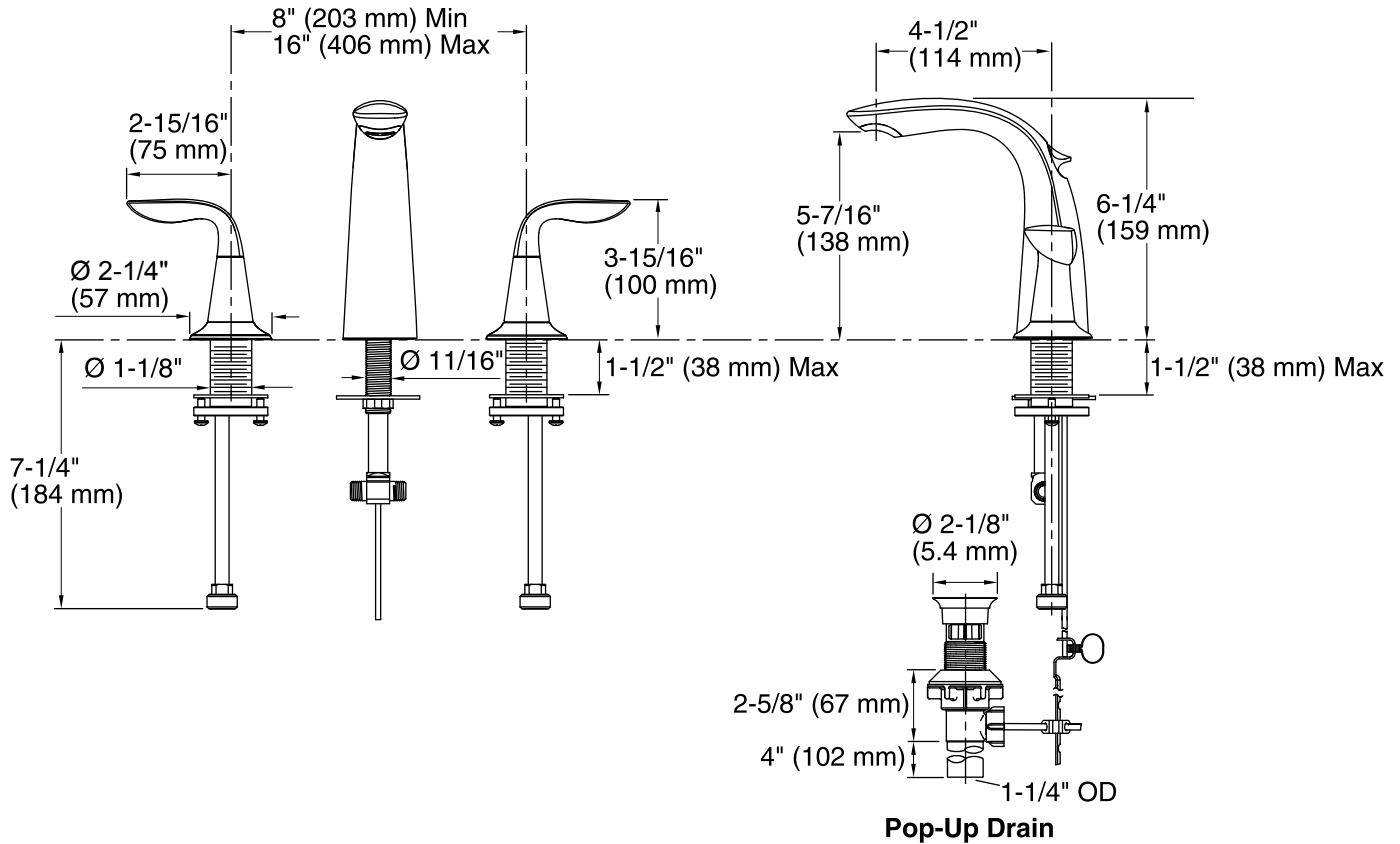
All applicable US Federal and State material regulations

KOHLER® Faucet Lifetime Limited Warranty

See website for detailed warranty information.

Product Specification

Bathroom sink faucet shall be 4-1/2" (114 mm) spout reach and 5-7/16" (138 mm) spout outlet height. Bathroom sink faucet shall be metal construction. Bathroom sink faucet shall be lever handles. Bathroom sink faucet shall be pop-up drain with tailpiece. Bathroom sink faucet shall be 8" (203 mm) to 16" (406mm) centers. Bathroom sink faucet shall be KOHLER Model K-5317-4.



Technical Information

All measurements are nominal.

Spout reach: 4-1/2" (114 mm)

Drain included: YES

Drain tailpiece included:

Faucet:

Flow rate: 1.5 gal/min (5.7 l/min)

Pressure: 60 psi (4.1 bar)

Installation Notes

Install this product according to the installation guide.

ADA, OBC, CSA B651 compliant when installed to the specific requirements of these regulations.