

SL 40-399 G3 Boiler - Parts assembly

BOM ID	IBC-No.	Description	Qty
105	250-693	TOP ACCESS COVER	1
110	250-025	INTAKE DUCT	1
115	500-105	SAFETY IGNITION MODULE	1
120	240-138	PRESSURE SWITCH	1
125	250-870	PRESSURE SWITCH BRACKET	1
130	240-030	VESSEL TEMP. HIGH LIMIT SWITCH	1
135	240-008	TRANSFORMER	1
140	250-488	TERMINAL BLOCK COVER	1
145	500-044	CONTROLLER V-10 COVER	1
150	500-079	FRONT ACCESS COVER	1

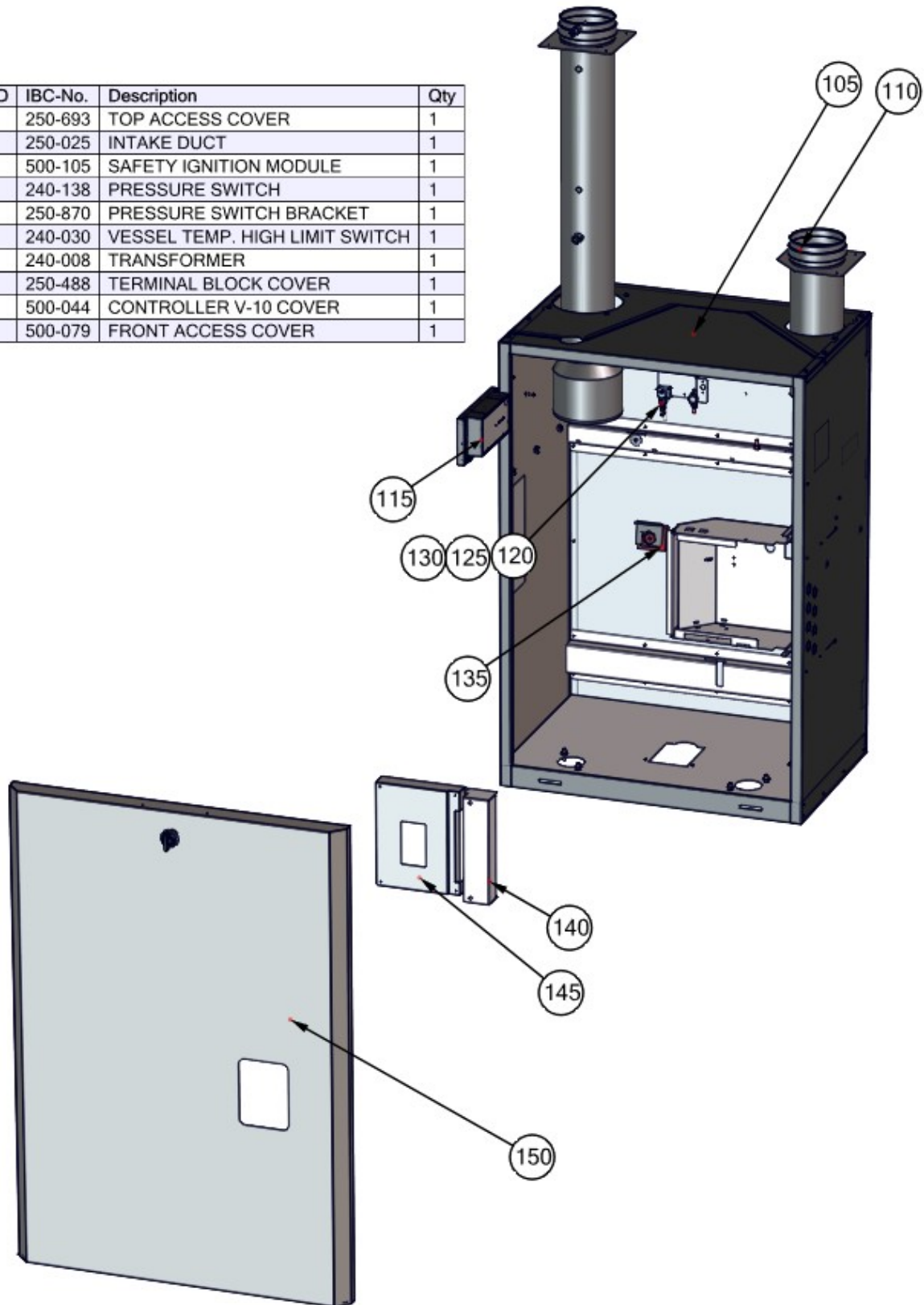
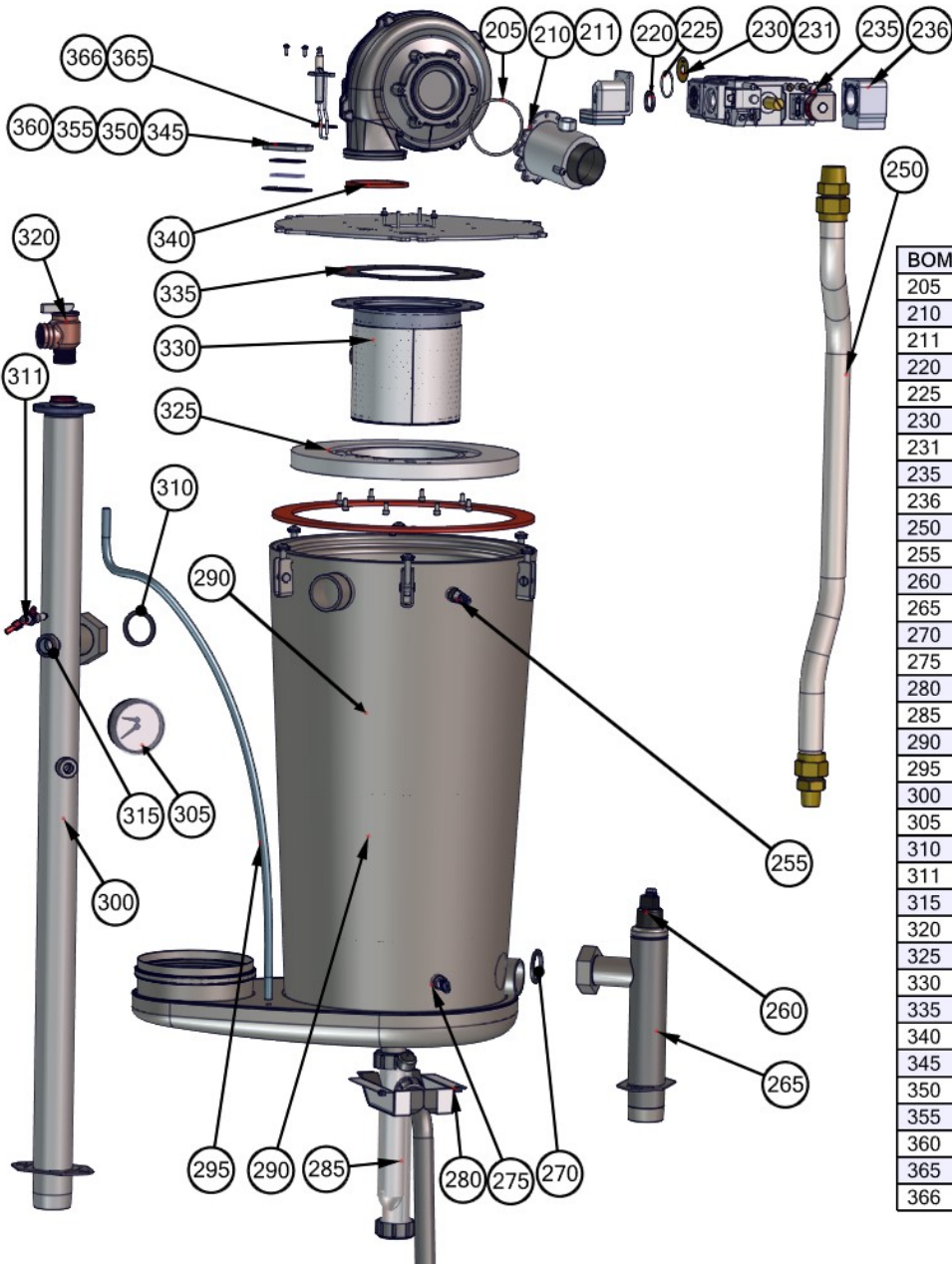


Diagram 6.1-2: Boiler assembly parts - SL 40-399 G3



BOM ID	IBC-No.	Description	Qty
205	150-073	MIXER O-RING	1
210	180-164	FUEL MIXER LP	1
211	180-163	FUEL MIXER NG	1
220	250-035	GAS VALVE COUPLER GASKET	1
225	150-259	O-RING	1
230	250-869	ORIFICE NG	1
231	250-865	ORIFICE PROPANE	1
235	180-150	GAS VALVE	1
236	250-755	GAS INLET BLOCK	1
250	190-158	GAS LINE	2
255	240-133	SUPPLY WATER TEMP. SENSOR	1
260	240-006	WATER PRESSURE SENSOR	1
265	250-748	RETURN WATER PIPE	1
270	255-027	WATER PIPE GASKET	1
275	240-134	RETURN WATER TEMP. SENSOR	1
280	250-664	CONDENSATE RETAINER	1
285	180-065	CONDENSATE TRAP	1
290	170-029	HEAT EXCHANGER	1
295	190-165	PRESSURE SENSOR TUBE	1
300	250-853	SUPPLY WATER PIPE	1
305	180-019	TRIDICATOR	1
310	255-027	WATER PIPE GASKET	1
311	240-010	LOW WATER CUTOFF PROBE	1
315	240-132	FLUE GAS TEMP. SENSOR	2
320	180-005	PRESSURE RELIEF VALVE	1
325	250-753	HEAT EXCHANGER REFRACTORY	1
330	180-185	BURNER	1
335	255-048	BURNER GASKET	1
340	250-322	FAN GASKET	2
345	255-025	SIGHT GLASS FRAME	1
350	255-060	SIGHT GLASS UPPER GASKET	1
355	250-059	SIGHT GLASS	1
360	255-023	SIGHT GLASS LOWER GASKET	1
365	240-002 or 240-141	IGNITOR	1
366	250-050	IGNITOR GASKET	1

Some parts are available only in Kits. Please visit www.ibcboiler.com for more information.