

### Features

- Glass
- Under-mount
- Without overflow
- 19" (483 mm) x 16-1/8" (410 mm) x 5-3/8" (137 mm)

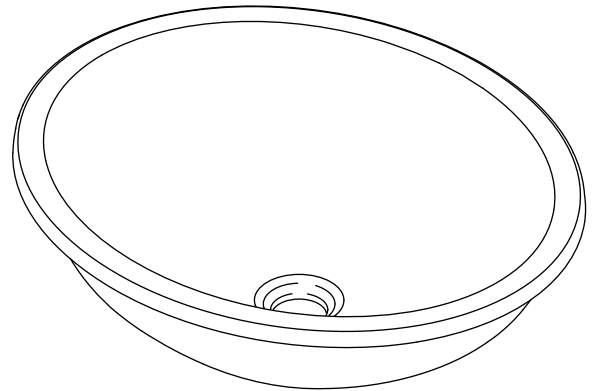
## UNDER-MOUNT BATHROOM SINK K-2741

ADA

### Codes/Standards Applicable

Specified model meets or exceeds the following:

- ADA
- ICC/ANSI A117.1
- CSA B45.11/IAPMO Z401



### Colors/Finishes

- B11: Ice™

### Accessories

- 0: White
- CP: Polished Chrome
- Other: Refer to Price Book for additional colors/finishes

### Specified Model

Model	Description	Colors/Finishes
K-2741	Under-mount bathroom sink	<input type="checkbox"/> B11
K-2741-G1	Under-mount bathroom sink in Dusk	<input type="checkbox"/> B11
K-2741-G2	Under-mount bathroom sink in Dew	<input type="checkbox"/> B11
K-2741-G3	Under-mount bathroom sink in Doe	<input type="checkbox"/> B11

Recommended Accessories				
K-7107	Decorative drain	OR	<input type="checkbox"/> CP	<input type="checkbox"/> Other _____
K-7108	Decorative drain	OR	<input type="checkbox"/> CP	<input type="checkbox"/> Other _____
K-7129	Grid drain		<input type="checkbox"/> 0	<input type="checkbox"/> CP <input type="checkbox"/> Other _____
K-9018	P-Trap		<input type="checkbox"/> CP	<input type="checkbox"/> Other _____

### Product Specification

The under-mount bathroom sink shall be made of glass. Bathroom sink shall be 19" (483 mm) in length, 16-1/8" (410 mm) in width, and 5-3/8" (137 mm) in depth. Bathroom sink shall be for under-mount installation. Bathroom sink shall be without overflow. Bathroom sink shall be Kohler Model K-2741-\_\_\_\_\_-\_\_\_\_\_.

# WHIST™

## Technical Information

Fixture*:	
Basin area	17-3/16" (437 mm) x 14-3/16" (360 mm)
Water depth	4-3/4" (121 mm)
Drain hole	Ø 1-5/8" (41 mm)
* Approximate measurements for comparison only.	

Included components:	
Hardware kit	52047
Drain gasket kit	1070246
Cut-out template	1151011-7

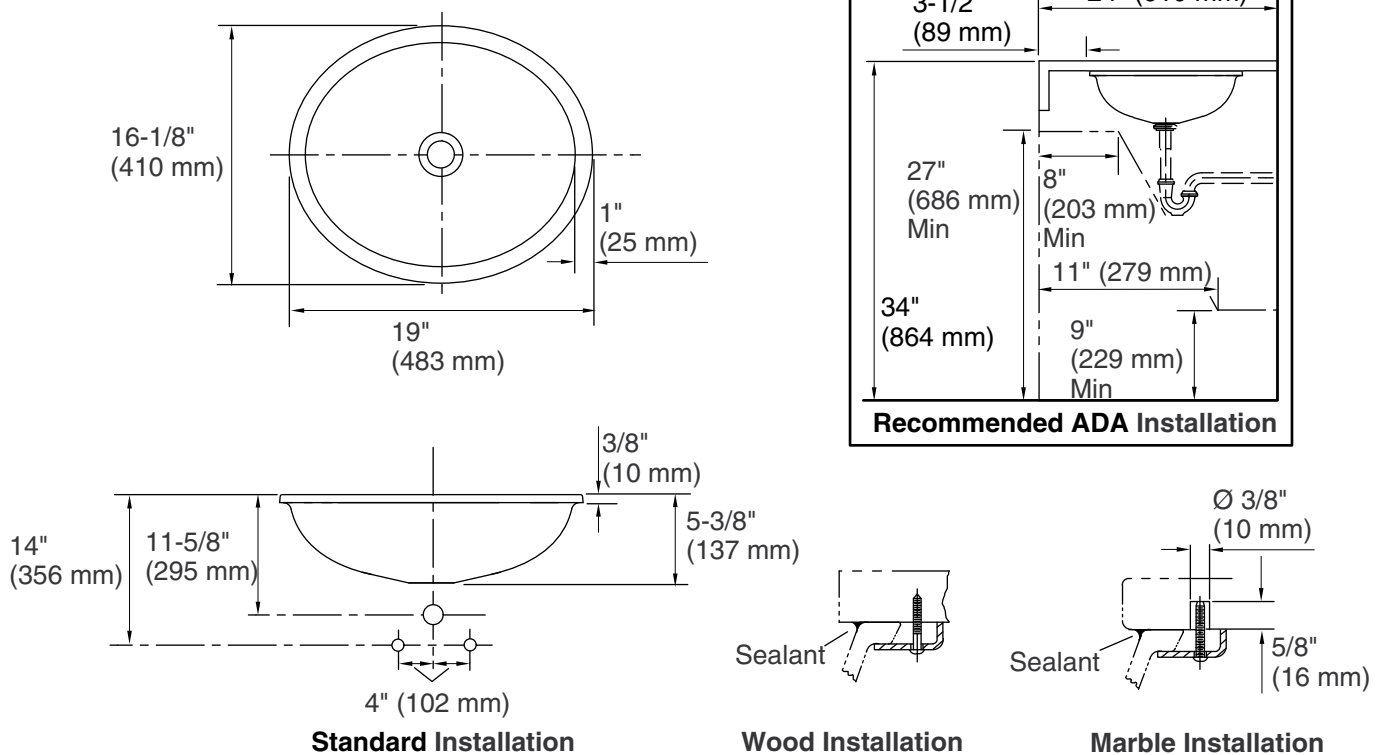
## Installation Notes

Install this product according to the installation guide.

Product does not have an overflow.

**NOTICE:** Countertop manufacturer or cutter **must** use the cut-out template provided with the product, or a current one provided by Kohler Co. (call 1-800-4-KOHLER). Kohler Co. is not responsible for cutout errors when the incorrect cut-out template is used.

Will comply with **ADA** when installed per Section 606 Lavatories of the 2010 ADA Standards for Accessible Design.



## Product Diagram