

## Tech Data

# Viega PureFlow® Press Ball Valve



### Description

The Viega PureFlow Press zero lead ball valve is equipped with a full port, Eco Brass® body. The ball valve also features Teflon® seals with EPDM and FKM stem seals.

### Features

- Plated Brass Ball
- PFTE Seals
- Nickel Plated Brass Stem
- EPDM & FKM Stem Seals

### Ratings

- Temperature Range: 0°F - 180°F
- Max. Operating Pressure: 160 psi

### Approvals



■ cSAUs



■ UPC®

■ NSF / ANSI 61-G

■ NSF / ANSI 372

■ ASTM F1807



This document is subject to updates. For the most current Viega technical literature please visit [www.viega.us](http://www.viega.us).



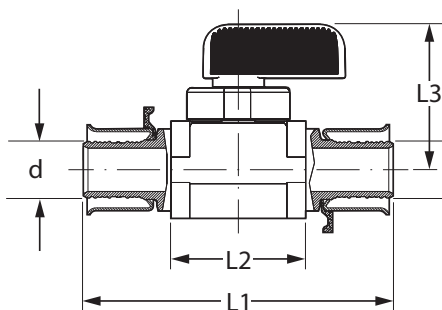
Viega products are designed to be installed by licensed and trained plumbing and mechanical professionals who are familiar with Viega products and their installation. **Installation by non-professionals may void Viega LLC's warranty.**



Zero lead identifies Viega products meeting the lead free requirements of NSF 61-G through testing under NSF/ANSI 372 (0.25% or less maximum weighted average lead content.)

Component	Material
Body	Eco Brass
Ball	Plated Brass
Seat	PTFE
Stem	Nickel Plated Brass
Stem Seals	EPDM & FKM
Handle	Nickel Plated Zinc

### Viega PureFlow Press Ball Valve Zero Lead Brass P x P - Model 2842.2ZL



Part No.	Size (in) d	L1 (in)	L2 (in)	L3 (in)
94500	3/8	2.62	1.2	1.2
94521	1/2	2.59	1.2	1.2
94541	3/4	2.72	1.3	1.3

**V Viega LLC**  
585 Interlocken Blvd.  
Broomfield, CO 80021

Phone (800) 976-9819  
[www.viega.us](http://www.viega.us)

TD-PF 1119 PureFlow Press Ball Valve

