

# KOHLER® Faucets

Single-handle bathroom sink faucet with Lever handle,  
1.2 gpm  
**K-73167-4**

## Features

- Metal construction
- Leak-free ceramic disc valve allows both volume and temperature control
- Complete range of faucets, accessories and showering components to coordinate a full bathroom
- 1.2 gpm (4.5 lpm) maximum flow rate at 60 psi (4.14 bar)

## Material

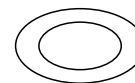
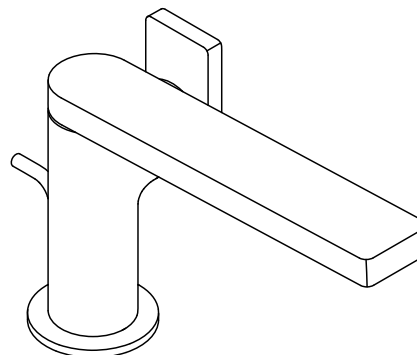
- KOHLER finishes resist corrosion and tarnishing

## Installation

- Single-hole mounting
- Not compatible with lavatories with centerset drillings

## Recommended Products/Accessories

- K-23726 Drain treatment
- K-23723 Faucet cleaner
- K-73141 18" Towel Bar
- K-73142 24" Towel Bar
- K-73144 24" Double Towel Bar
- K-73145 towel arm
- K-73146 Double Robe Hook
- K-73147 Pivoting toilet paper holder
- K-73148 Vertical toilet paper holder



## Codes/Standards

ASME A112.18.1/CSA B125.1  
NSF/ANSI/CAN 61  
NSF/ANSI/CAN 372  
All applicable US Federal and State material regulations  
DOE - Energy Policy Act 1992  
EPA WaterSense™  
California Energy Commission (CEC)  
ADA  
ICC/ANSI A117.1

## KOHLER® Faucet Lifetime Limited Warranty

See website for detailed warranty information.

## Available Colors/Finishes

*Color tiles intended for reference only.*

Color	Code	Description
	CP	Polished Chrome
	BL	Matte Black
	2MB	Vibrant™ Brushed Moderne Brass
	TT	Vibrant Titanium

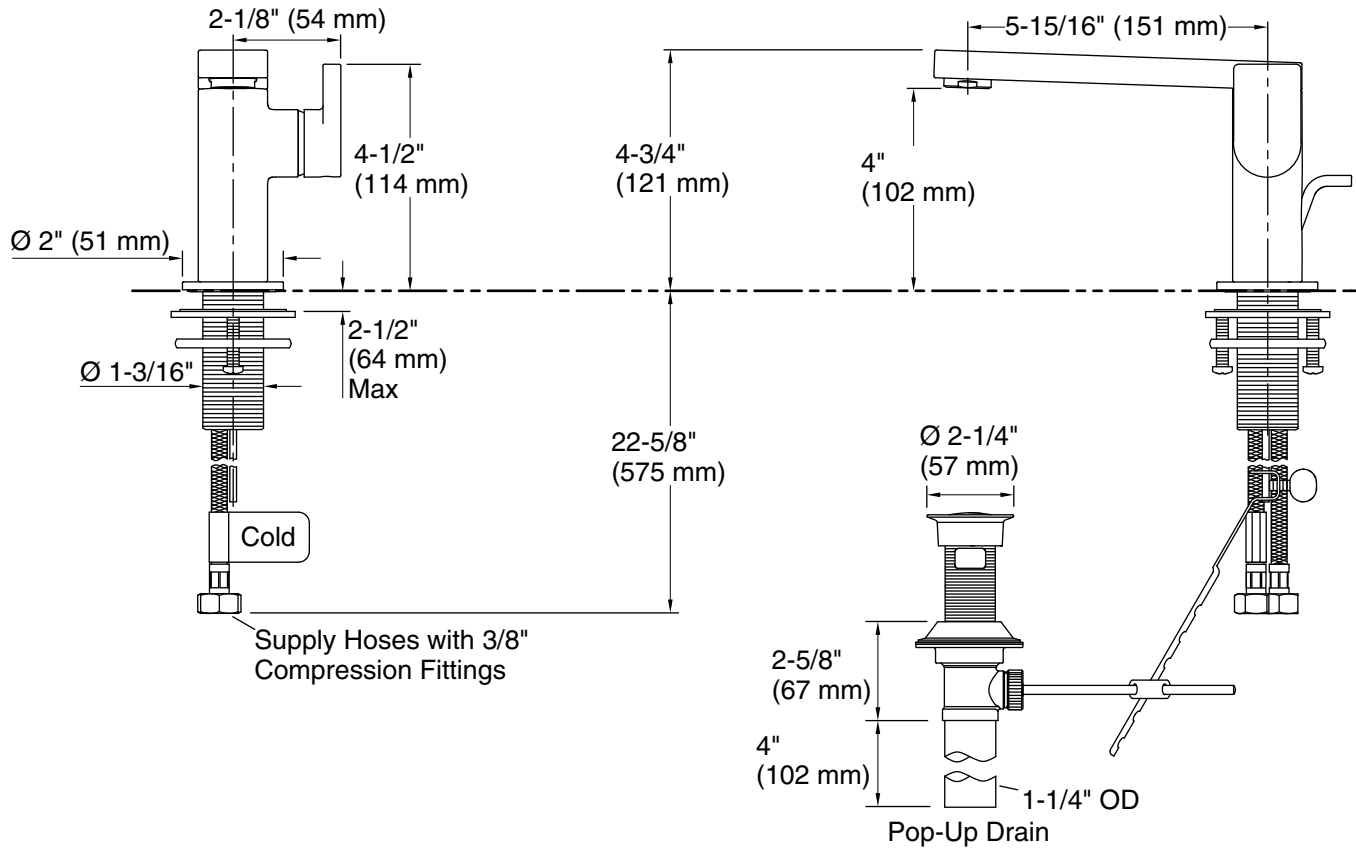
1-800-4KOHLER (1-800-456-4537)

Kohler Co. reserves the right to make revisions without notice to product specifications.

For the most current Specification Sheet, go to [www.kohler.com](http://www.kohler.com).

6-29-2023 01:38 - US/CA/MX

THE BOLD LOOK  
OF **KOHLER**®



### Technical Information

All product dimensions are nominal.

#### Faucet:

Flow rate: 1.2 gal/min (4.5 l/min)

Pressure: 60 psi (4.1 bar)

Drain with overflow: Yes

#### Spout:

Spout reach: 5-15/16" (151 mm)

### Notes

Install this product according to the installation guide.

ADA compliant for handles only.

ADA compliant when installed to the specific requirements of these regulations.