

MAAX SUBMITTAL SPECIFICATIONS

Rectangular Base 4836 (Single Threshold, Center Drain), LOW Threshold (3" Height)

MODEL NUMBER 105717

DIMENSIONS: 48" x 36" x 5 or 3" Acrylic

IES IES



Project :
Contractor :
MAAX Representative : Tel :
Date :

www.maax.com

Vivez l'expérience
MAAX[®]
Enjoy the experience

STANDARD FEATURES

- Available in 5 or low 3 in. height; textured bottom
- Walls with convenient foot rest, designed to be easier to clean
- Easy front installation of the walls with snap clips
- Deflecting strip preventing water penetration behind the shower
- Alcove installation

OPTIONS

- None

UNIQUE FEATURES

- None

SYSTEMS

- IES MAAX IES 1/2 (factory installed)
- IES MAAX IES 1/2 (factory installed)

DOOR SELECTION

Combine with MAAX's complete shower door offering visit www.maax.com

CERTIFICATIONS

Maax products adhere to one or more of the following certifications:



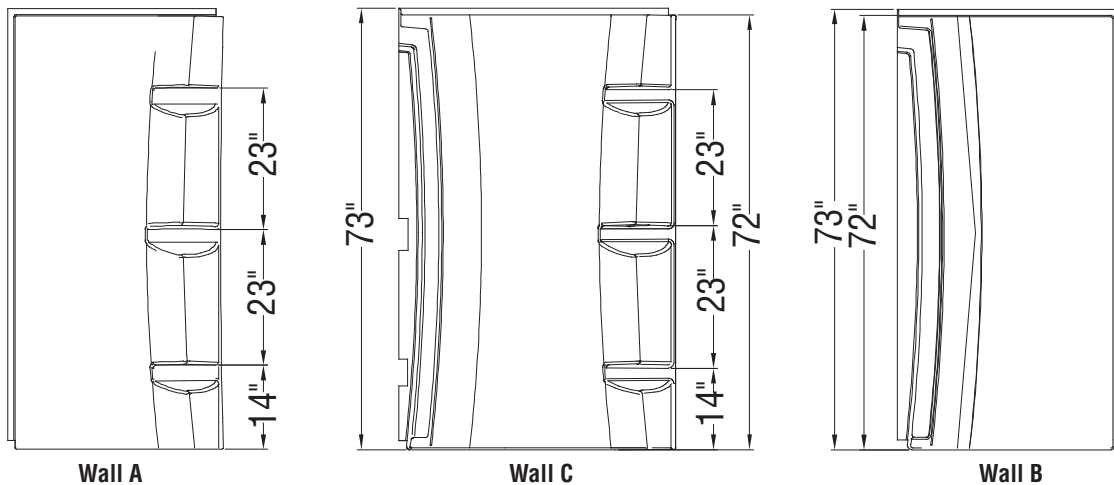
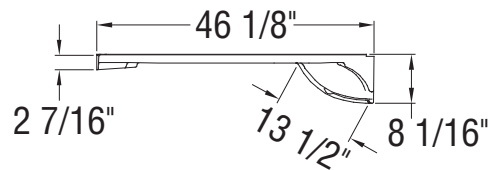
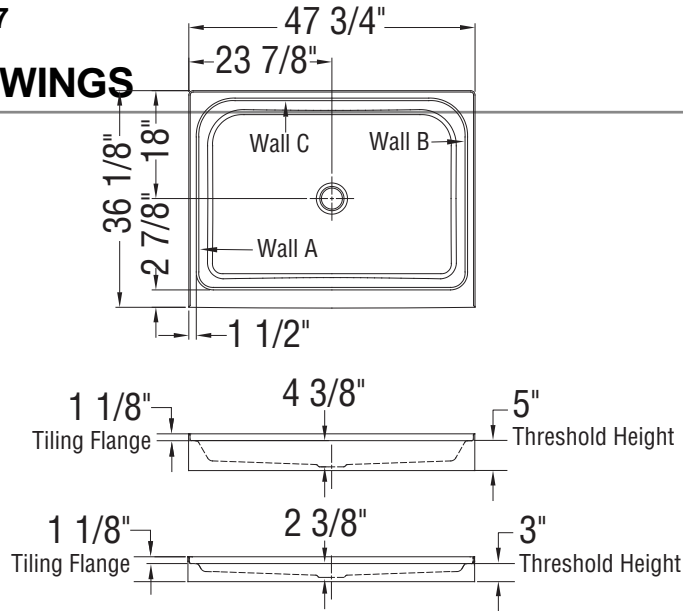
2017-11-09

MAAX SUBMITTAL SPECIFICATIONS

**Rectangular Base 4836
 (Single Threshold, Center
 Drain), LOW Threshold (3"
 Height)**

MODEL NUMBER 105717

TECHNICAL DRAWINGS



All dimensions are approximate. Structure measurements must be verified against the unit to ensure proper fit.