

### Featured Highlights

- Outdoor Coil Fan
- High Capacity Liquid Line Drier
- High Pressure Switch
- Low Pressure Switch
- Scroll Compressor
- Heavy Gauge Steel Cabinet
- Refrigerant Line Connections and Access

### Applications

- 1.5 through 5 tons
- Sound levels as low as 73 dBA
- Single-phase power supply
- Vertical air discharge
- Applicable to indoor air handlers or gas furnaces with indoor add-on coils
- Shipped completely factory assembled, piped and wired

### Approvals

- AHRI Standard 210/240-2023 certified
- AHRI Certified system match-ups and expanded ratings, visit [www.AHRIdirectory.org](http://www.AHRIdirectory.org)
- Sound rated to AHRI Standard 270-2008 test conditions
- Rated According to U.S. Department of Energy (DOE) test procedures
- Region specific models meet the minimum efficiency requirements for U.S. DOE Federal Regional Standards in that area
- Unit and components ETL, NEC and CEC bonded for grounding to meet safety standards for servicing
- ETL certified (U.S. and Canada)
- ISO 9001 Registered Manufacturing Quality System

For the latest AHRI system matches,  
please visit [AHRIdirectory.org](http://AHRIdirectory.org)

## ASA13 SERIES

### SPLIT SYSTEM AIR CONDITIONER

**Minimum Efficiency:  
13.4 SEER2**



Warranty—5 years on parts, 10 years on compressor and heat exchanger  
(Some limitations apply; see printed warranty for details.)

[www.comfort-aire.com](http://www.comfort-aire.com)



## REFRIGERATION SYSTEM

### R-454B Refrigerant

- Low GWP (Global Warming Potential)
- Zero ODP (Ozone Depletion Potential)
- Unit is factory pre-charged

### Outdoor Coil Fan

- Direct drive fan
- Vertical air discharge
- Totally enclosed fan motor
- Sleeve bearings (018 through 048 and 060 models)
- Inherently protected
- Motor rain shield
- Louvered steel fan guard

### Condenser Coil

- Proprietary coil design
- Enhanced aluminum alloy tube/enhanced fin coil
- Superior corrosion resistance
- Ripple-edged aluminum fins
- Aluminum tube construction
- Lanced fins for maximum fin surface exposure
- Fin collars grip tubing for maximum contact area
- Flared shoulder tubing connections
- Factory tested under high pressure
- Entire coil is accessible for cleaning

### High Capacity Liquid Line Drier

- Furnished with unit for field installation
- Drier traps moisture or dirt that could contaminate the system
- 100% molecular-sieve, bead type, drier

### High Pressure Switch

- Protects the system from high pressure conditions that can be a result of fan failure or a blocked/dirty coil
- Manual reset

### Low Pressure Switch

- Shuts off unit if suction pressure falls below setting
- Provides loss of charge and freeze-up protection
- Automatic reset

### Optional Accessories

#### Expansion Valve Kits

- Factory installed with R-454B on all indoor units
- Chatleff-style fitting

#### Freezestat

- Senses suction line temperature
- Cycles compressor off when suction line temperature falls below freezestat setpoint
- Opens at 29°F and closes at 58°F
- Installs on or near the discharge line of the evaporator or on the suction line

#### Loss of Charge Switch Kit

- Protects compressor from damage from low refrigerant charge conditions
- SPST, normally-closed
- Automatic reset

## INDOOR REFRIGERANT DETECTION SYSTEM (RDS)

- Complies with UL 60335-2-40 approved standard
- Required for all systems using R-454B refrigerant
- Factory or field installed on all indoor units
- Consists of a RDS refrigerant detection sensor and an independent RDS control
- If refrigerant is detected the refrigerant detection system will prevent compressor and heating operation until refrigerant is no longer detected
- Refrigeration detection system also energizes the blower if refrigerant is detected to dissipate any concentrations of refrigerant from the space



## COMPRESSOR

### Single-Stage Scroll Compressor

- High volumetric efficiency
- Uniform suction flow
- Constant discharge flow
- High efficiency
- Quiet operation
- Low gas pulses during compression reduces operational sound levels.
- Compressor motor is internally protected from excessive current and temperature
- Muffler in discharge line reduces operating sound levels
- Compressor is installed in the unit on resilient rubber mounts for vibration free operation

### Scroll Compressor Operation

- Two involute spiral scrolls matched together generate a series of crescent-shaped gas pockets between them
- During compression, one scroll remains stationary while the other scroll orbits around it
- Gas is drawn into the outer pocket, the pocket is sealed as the scroll rotates
- As the spiral movement continues, gas pockets are pushed to the center of the scrolls. Volume between the pockets is simultaneously reduced
- When the pocket reaches the center, gas is now at high pressure and is forced out of a port located in the center of the fixed scrolls
- During compression, several pockets are compressed simultaneously resulting in a smooth continuous compression cycle
- Continuous flank contact, maintained by centrifugal force, minimizes gas leakage and maximizes efficiency
- Compressor is tolerant to the effects of slugging and contaminants. If this occurs, scrolls separate, allowing liquid or contaminants to be worked toward the center and discharged

### Compressor Crankcase Heater (041, 042, 047, 048, 060 Models)

- Prevents migration of liquid refrigerant into compressor and ensures proper compressor lubrication

## Optional Accessories

### Compressor Crankcase Heater (018, 024, 030, 036, 042 Models)

- Prevents migration of liquid refrigerant into compressor and ensures proper compressor lubrication

### Compressor Sound Cover

- Polymer outer shell
- 1/2 inch thick polyester fiber insulation
- All open edges are sealed with a one-inch wide hook and loop fastening tape

### Compressor Hard Start Kit

- Single-phase units are equipped with a PSC compressor motor
- This type of motor normally does not need a potential relay and start capacitor
- For conditions such as low voltage, kit may be required to increase the compressor starting torque Compressor Low Ambient Cut-Off Switch
- Non-adjustable switch (low ambient cut-out)
- Prevents compressor operation when outdoor temperature is below 35°F

### Compressor Time-Off Control

- Kit prevents compressor short-cycling
- Allows time for suction and discharge pressure to equalize
- Permits compressor start-up in an unloaded condition.
- Automatic reset with 5 minute delay between compressor shut-off and start-up

### Indoor Blower Off Delay Relay

- Delays the indoor blower-off time during the cooling cycle

### Low Ambient Kit

- Air conditioners can operate down to 45°F outdoor air temperature without additional controls
- Allows unit to operate properly down to 30°F

**NOTE** - Crankcase heater and freezestat should be installed on compressors equipped with a low ambient kit.

**NOTE** - A compressor lock-out thermostat should be added to terminate compressor operation below recommended operation conditions.

## CABINET

- Heavy gauge steel construction
- Louvered heavy gauge steel panels surround unit on all four sides
- Pre-painted cabinet finish
- Control box is conveniently located with all controls factory wired
- Corner patch plate allows access to compressor components
- Drainage holes are provided in base section for moisture removal

### Refrigerant Line Connections, Electrical Inlets, Service Valves

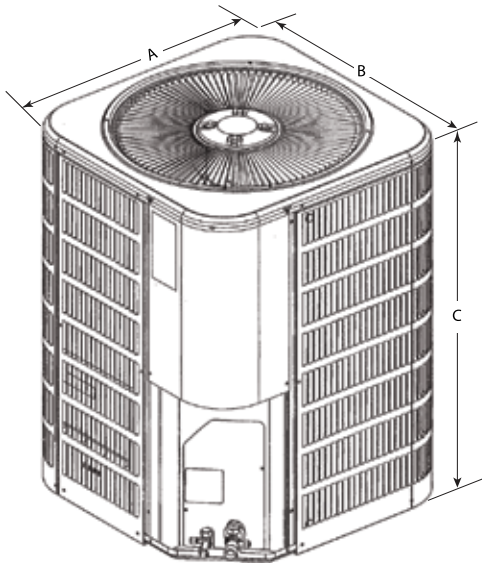
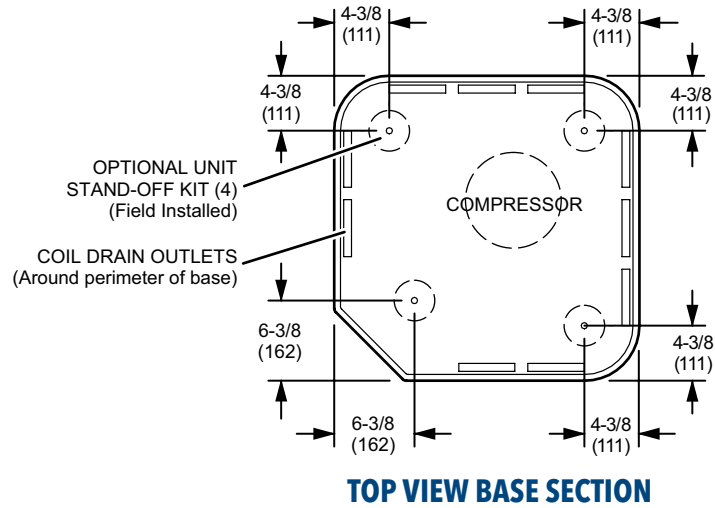
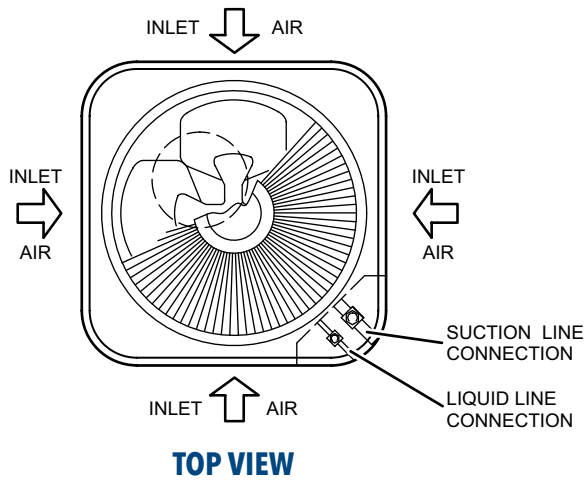
- Sweat connection suction and liquid lines
- Located on corner of unit cabinet
- Suction valve can be fully shut off, while liquid valve may be front seated to manage refrigerant charge while servicing system
- Refrigerant line connections and field wiring inlets are located in one central area of the cabinet
- See dimension drawing

### Braze-Free/Press Fitting Flexibility

- Units can accommodate braze-free or press fittings for installation versatility.

## MODEL NUMBER GUIDE

<b>A</b>	<b>S</b>	<b>A</b>	<b>13</b>	<b>36</b>	<b>S</b>	<b>1</b>	<b>A</b>
Air Conditioner	Residential Split	R-454B	Minimum SEER2	Capacity BTUH x 1000	Single Stage	Power 1 = 208/230-1-60	Revision Level



## UNIT DIMENSIONS

Model	Dimensions (inch)			Shipping Weight (Lbs.)
	A - Width	B - Depth	C - Height	
ASA1318S1	26	26	25	128
ASA1324S1	26	26	29 1/2	134
ASA1330S1	30	30	29 1/2	152
ASA1336S1	30	30	33 1/4	161
ASA1342S1	30	30	37 1/2	195
ASA1348S1	30	30	37 1/2	215
ASA1360S1	30	30	37 1/4	250

Note: Dimensions listed are unit sizes w/o packaging

## SOUND DATA

Size	Octave Band Sound Power Levels dBA, re 10 <sup>-12</sup> Watts Center Frequency - HZ							Sound Rating Number (dBA)	<sup>2</sup> Estimated Sound Pressure Level at Distance From Unit (dBA at distance in ft.)				
	125	250	500	1000	2000	4000	8000		3	5	10	15	50
018	53	58.5	66.5	69.5	65	62.5	54.5	73	66	61	55	52	41
024	56	66	72	71	67	63	56.5	76	69	64	58	55	44
030	55	64.5	70.5	72.5	67.5	61	54	76	69	64	58	55	44
036	58	67.5	71.5	70.5	66.5	61.5	55	76	69	64	58	55	44
042	56	65	71	71.5	67.5	62	55	76	69	64	58	55	44
048	61.5	68	73.5	72.5	69	64	56.5	78	71	66	60	57	46
060	63.5	70	75	75	70.5	68	61	80	73	68	62	59	48

NOTE - the octave sound power data does not include tonal correction.

1. Tested according to AHRI Standard 270-2008 test conditions.

2. Estimated sound pressure level at distance based on AHRI Standard 275-2010 method for equipment located on the ground, roof, or on side of building wall with no adjacent reflective surface within 9.8 feet. Sound pressure levels will increase based on changes to assumptions. For other applications, refer to AHRI Standard 275.

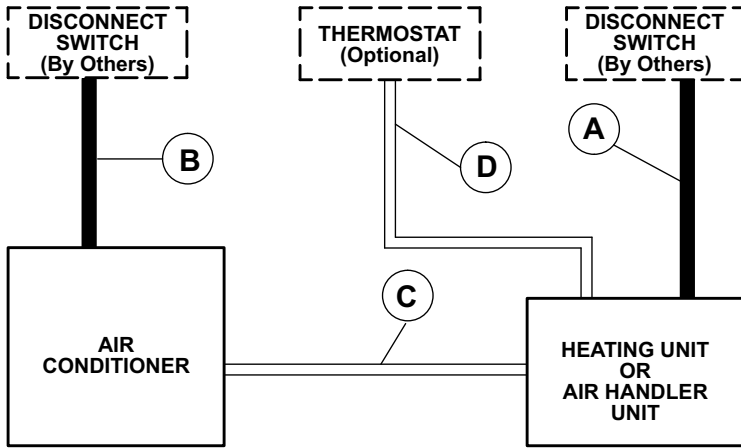
## SPECIFICATIONS

SIZE	ASA1318S1	ASA1324S1	ASA1330S1	ASA1336S1	ASA1342S1	ASA1348S1	ASA1360S1
Nominal Tonnage	1.5	2	2.5	3	3.5	4	5
Sound Rating Number	73	76	76	78	76	78	80
Connections (Sweat)							
Liquid line (OD) - in.	3/8	3/8	3/8	3/8	3/8	3/8	3/8
Suction line (OD) - in.	3/4	3/4	3/4	3/4	3/4	7/8	1-1/8
Compressor Type	1-Stage Scroll	1-Stage Scroll	1-Stage Scroll	1-Stage Scroll	1-Stage Scroll	1-Stage Scroll	1-Stage Scroll
Refrigerant	<b><sup>1</sup>R-454B charge furnished</b>						
	4 lbs. 0 oz.	4 lbs. 7 oz.	4 lbs. 14 oz.	5 lbs. 10 oz.	6 lbs. 2 oz.	7 lbs. 10 oz.	8 lbs. 8 oz.
Indoor Unit Expansion Valve (TXV)	26Z70	26Z70	26Z70	26Z70	26Z71	26Z71	26Z72
Outdoor Coil							
Net face area - ft. <sup>2</sup>	11.33	13.22	16.33	18.67	21.00	16.33	21.00
Tube diameter - in.	5/16	5/16	5/16	5/16	5/16	5/16	5/16
Rows	1	1	1	1	1	2	2
Fins - in.	26	26	26	26	26	22	22
Outdoor Fan							
HP	1/10	1/10	1/6	1/6	1/3	1/4	1/4
Diameter - in.	18	18	22	22	22	22	22
Blades	3	3	3	3	3	3	3
Cfm	2290	2350	2610	2800	2985	2875	3250
Rpm	1075	1075	825	825	825	825	845
Watts	150	155	160	190	150	160	280
Shipping Data - lbs.	128	134	152	161	195	215	250
<b>ELECTRICAL DATA</b>							
Line voltage data (Volts-Phase-Hz)	208/230-1-60	208/230-1-60	208/230-1-60	208/230-1-60	208/230-1-60	208/230-1-60	208/230-1-60
<sup>2</sup> Maximum overcurrent protection (MOCP) amps	15	20	25	30	35	40	50
<sup>3</sup> Minimum circuit ampacity (MCA)	11.1	13.5	16.6	17.8	21.2	24.3	31.3
Compressor							
Rated load amps	8.3	10.2	12.5	13.4	14.9	18.0	23.7
Locked rotor amps	45	60.2	67.8	82.5	109	126	157
Fan Motor							
Full load amps	0.65	0.65	1.0	1.0	2.6	1.7	1.7
Locked rotor amps	1.3	1.3	1.9	1.9	---	3.2	3.2
<b>OPTIONAL ACCESSORIES - ORDER SEPARATELY</b>							
Compressor Hard Start Kit	Copeland 27V63	•	•	•	•	•	Factory Installed
Crankcase Heater	LG 27U16	•	•	•	•	•	Factory Installed
Compressor Hard Start Kit	Copeland 27V63	•				•	•
	LG 27U16		•	•	•	•	•
	LG 10J42	•	•	•	•	•	•
Compressor Low Ambient Cut-Off Switch	45F08	•	•	•	•		
Compressor Timed-Off Control	47J27	•	•	•	•	•	•
Compressor Sound Cover	18J42	•	•	•	•	•	•
Freezestat	93G35	•	•	•	•	•	•
Indoor Blower Off Delay Relay	58M81	•	•	•	•	•	•
Loss of Charge Switch Kit	84M23	•	•	•	•	•	•
4 Low Ambient Kit (Fan Cycling)	34M72	•	•	•	•	•	•

NOTE - Extremes of operating range are plus 10% and minus 5% of line voltage.

1. Refrigerant charge is sufficient for 15 ft. length of refrigerant lines. For longer line set requirements see the Installation Instructions for information about line set length and additional refrigerant charge required.
2. HACR type breaker or fuse.
3. Refer to National or Canadian Electrical Code manual to determine wire, fuse and disconnect size requirements.
4. Crankcase Heater and Freezestat are recommended with Low Ambient Kit.

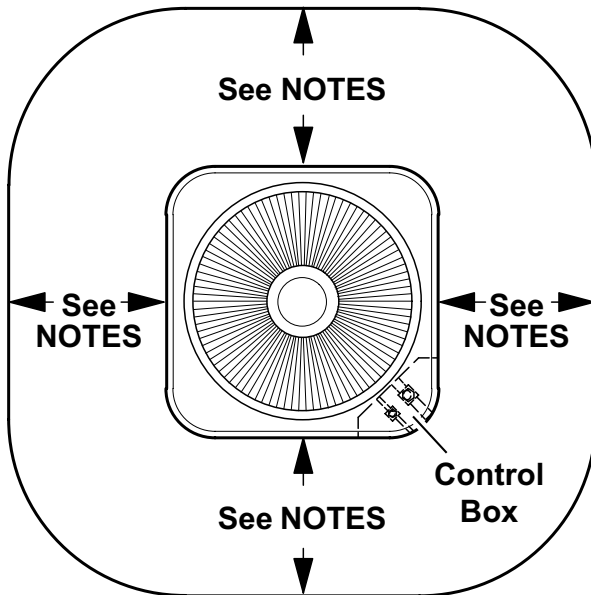
## FIELD WIRING



- A - Two Wire Power (not furnished). See Indoor Unit Electrical Data
- B - Two Wire Power (not furnished). See Electrical Data
- C - Four Wire Low Voltage (not furnished). 18 ga. minimum
- D - Five Wire Low Voltage (not furnished). 18 ga. minimum

All wiring must conform to NEC or CEC and local electrical codes.

## INSTALLATION CLEARANCES



### NOTES:

- Service Clearance – 30 in. (762 mm) must be maintained on one of the sides adjacent to the control box
- Clearance to one of other three sides must be 36 in. (914 mm).
- Clearance to one of the remaining two sides may be 12 in. (305 mm), and the final side may be 6 in. (152 mm).
- A clearance of 24 in. must be maintained between two

*Comfort-Cire*®

## TXV SUBSTITUTION - R-454B

A general guide for replacing the factory installed R-454B TXV if the indoor unit (coil/air handler) is larger or smaller than the outdoor unit.

Outdoor Unit		Indoor Unit		TXV Furnished	TXV Replacement
Size	Tons	Size	Tons		
018	1.5	42	3.5	26Z70	26Z71
018	1.5	48	4	26Z70	26Z71
018	1.5	49	4	26Z70	26Z71
018	1.5	50/60	4/5	26Z70	26Z72
018	1.5	51/61	4/5	26Z70	26Z72
018	1.5	60	5	26Z70	26Z72
024	2	42	3.5	26Z70	26Z71
024	2	48	4	26Z70	26Z71
024	2	49	4	26Z70	26Z71
024	2	50/60	5	26Z70	26Z72
024	2	51/61	5	26Z70	26Z72
024	2	60	5	26Z70	26Z72
030	2.5	42	3.5	26Z70	26Z71
030	2.5	48	4	26Z70	26Z71
030	2.5	49	4	26Z70	26Z71
030	2.5	50/60	4/5	26Z70	26Z72
030	2	51/61	4/5	26Z70	26Z72
030	2.5	60	5	26Z70	26Z72
036	3	42	3.5	26Z70	26Z71
036	3	48	4	26Z70	26Z71
036	3	49	4	26Z70	26Z71
036	3	50/60	5	26Z70	26Z72
036	3	51/61	5	26Z70	26Z72
036	3	60	5	26Z70	26Z72
042	3.5	24	2	26Z71	26Z70
042	3.5	30	2.5	26Z71	26Z70
042	3.5	30/36	3	26Z71	26Z70
042	3.5	36	3	26Z71	26Z70
048	4	30/36	2.5/3	26Z71	26Z70
048	4	36	3	26Z71	26Z70

### TXV RANGES:

**26Z70** - 1.5 to 3 ton systems - Use on 3 ton (036) and lower systems.

**26Z71** - 3.5-4 ton systems - Use down to 3.5 ton (042) systems.

**26Z72** - 5 ton systems - Use on 5 ton (060) systems only.

### ACCESSORIES

DESCRIPTION	WHERE USED	CATALOG NUMBER
Crankcase Heater	18, 24, 30, 36	93M04
Crankcase Heater	42, 48, 60	93M05
Hard Start Kit	18	10J42
Hard Start kit	24, 30, 36, 42, 48, 60	88M91
Compressor Low Ambient Kit	18, 24, 30, 36, 42, 48, 60	34M72
Sound Blanket	18, 24, 30, 36	14W00
	42, 48, 60	14W01
Short Cycle Protector	18, 24, 30, 36, 42, 48, 60	47J27
Freezestat	3/8" tubing	93G35
Freezestat	5/8" tubing	50A93
Loss of Charge Kit	18, 24, 30, 36, 42, 48, 60	84M23
TXV Kit	18 - 30	H4TXV01
TXV Kit	36 - 48	H4TXV02
TXV Kit	60	H4TXV03
TXV Kit	18 - 36	4200
TXV Kit	42 - 60	4202



"This product complies with all California product labeling laws including, but not limited to, the Safe Drinking Water and Toxic Enforcement Act of 1986, more commonly known as Proposition 65."

Due to ongoing product improvements, specifications and dimensions are subject to change and correction without notice or incurring obligations. Determining the application and suitability for use of any product is the responsibility of the installer. Additionally, the installer is responsible for verifying dimensional data on the actual product prior to beginning any installation preparations. Third party incentive and rebate programs have precise requirements as to product performance and certification. All products meet applicable regulations in effect on date of manufacture; however, certifications are not necessarily granted for the life of a product. Therefore, it is the responsibility of the applicant to determine whether a specific model qualifies for these incentive/rebate programs.