

## Features

- 9¾" (247 mm) x 13-1/2" (346 mm) x 5¼" (132 mm)
- For use with KOHLER bathroom vanity and linen tower drawer heights of at least 13¾"
- 5¼"-deep honeycomb-shaped sections keep hair styling tools and beauty products secure and organized
- Thin-yet-rigid, flexible drawer tray is easy to grip for install, removal, and cleaning
- Heat-resistant and dishwasher-safe

## Material

- Silicone

## Recommended Products/Accessories

- K-33524-ASB 36" bathroom vanity cabinet with sink and quartz top
- K-33525-ASB 60" bathroom vanity cabinet with sinks and quartz top
- K-33526-ASB 36" bathroom vanity cabinet with sink and quartz top
- K-33527-ASB 60" bathroom vanity cabinet with sinks and quartz top
- K-33531-ASB 36" bathroom vanity cabinet with sink and quartz top
- K-33532-ASB 60" bathroom vanity cabinet with sinks and quartz top
- K-33537-ASB 36" bathroom vanity cabinet with sink and quartz top
- K-33538-ASB 48" bathroom vanity cabinet with sink and quartz top
- K-33539-ASB 60" bathroom vanity cabinet with sinks and quartz top
- K-33545-ASB 36" bathroom vanity cabinet with sink and quartz top
- K-33546-ASB 48" bathroom vanity cabinet with sink and quartz top
- K-33547-ASB 60" bathroom vanity cabinet with sinks and quartz top
- K-33553-ASB 36" bathroom vanity cabinet with sink and quartz top
- K-33554-ASB 48" bathroom vanity cabinet with sink and quartz top
- K-33555-ASB 60" bathroom vanity cabinet with sinks and quartz top
- K-33579-ASB 36" bathroom vanity cabinet with sink and quartz top
- K-33580-ASB 48" bathroom vanity cabinet with sink and quartz top
- K-33581-ASB 60" bathroom vanity cabinet with sinks and



## Codes/Standards


None Applicable

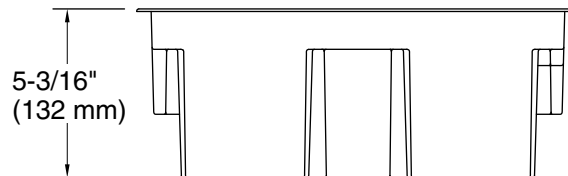
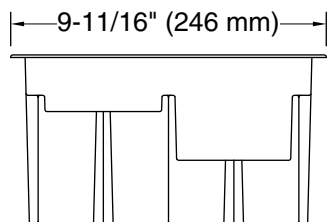
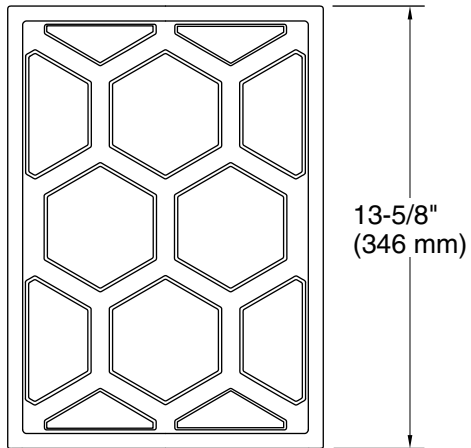
## KOHLER® One-Year Limited Warranty

See website for detailed warranty information.

## Available Colors/Finishes

*Color tiles intended for reference only.*

Color	Code	Description
	1WT	Mohair Grey



## Technical Information

All product dimensions are nominal.

Material: Silicone