

# REPAIR PARTS

Replacement parts may be ordered through your plumber or the local distributor. Parts will be shipped at prevailing prices and billed accordingly.

NOTICE: When ordering replacement parts, have the following information ready:

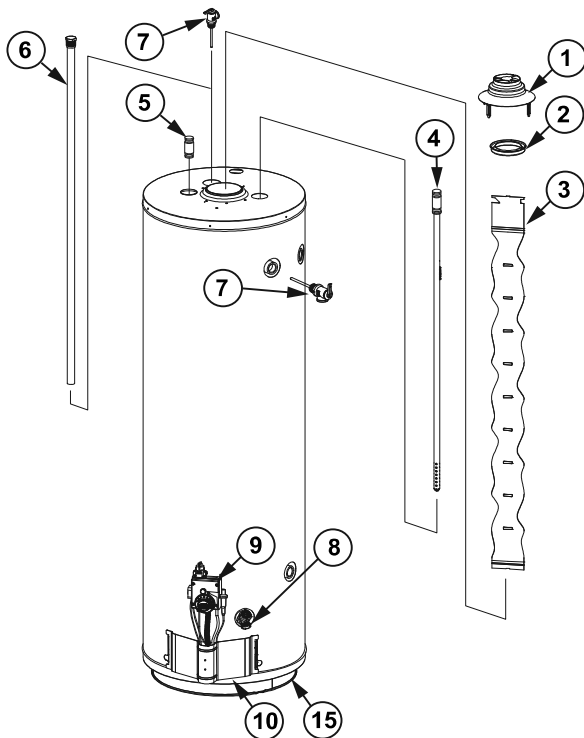
- Model and serial number
- Type of gas used
- Item number
- Parts description

## Legend

- ▲ Special anode rod (see page 26)
- Temperature and Pressure Relief Valve is required but may be factory installed
- ★ Unique: Flammable Vapor Ignition Resistant Safety System parts

## REPAIR PARTS LIST

Item No.	Parts Description	Part Number
1	DRAFT HOOD	-----
2	REDUCER RING - SOME MODELS	-----
3	FLUE BAFFLE	-----
4	COMBINATION DIP TUBE/HEAT TRAP NIPPLE	9009228005
5	HEAT TRAP/NIPPLE	9000415015
6	ANODE ROD - ALUMINUM ▲	9003892005
6	ANODE ROD - MAGNESIUM ▲	9001829005
7	TEMPERATURE & PRESSURE RELIEF VALVE (LOCATED TOP OR SIDE) ■	9000728015
8	DRAIN VALVE	9009084015
9	GAS CONTROL VALVE/THERMOSTAT (NAT) ★	9009224005
9	GAS CONTROL VALVE/THERMOSTAT (LP) ★	9009225005
10	OUTER DOOR	★ -----
11	PILOT/PILOT TUBE ASSEMBLY KIT (NAT) ★	9009203005
11	PILOT/PILOT TUBE ASSEMBLY KIT (LP) ★	9009204005
12	FINAL BURNER ASSEMBLY (NAT) ★	9009202005
12	FINAL BURNER ASSEMBLY (LP) ★	9009201005
13	MANIFOLD DOOR GASKET ★	9006141015
14	BASE RING AIR FILTER	9009174005
15	THERMOCOUPLE ★	186800-000
16	BURNER (NAT)	9007533005
16	BURNER (LP)	9009131005



# REPAIR PARTS

## Listed Parts Kits and Illustrations

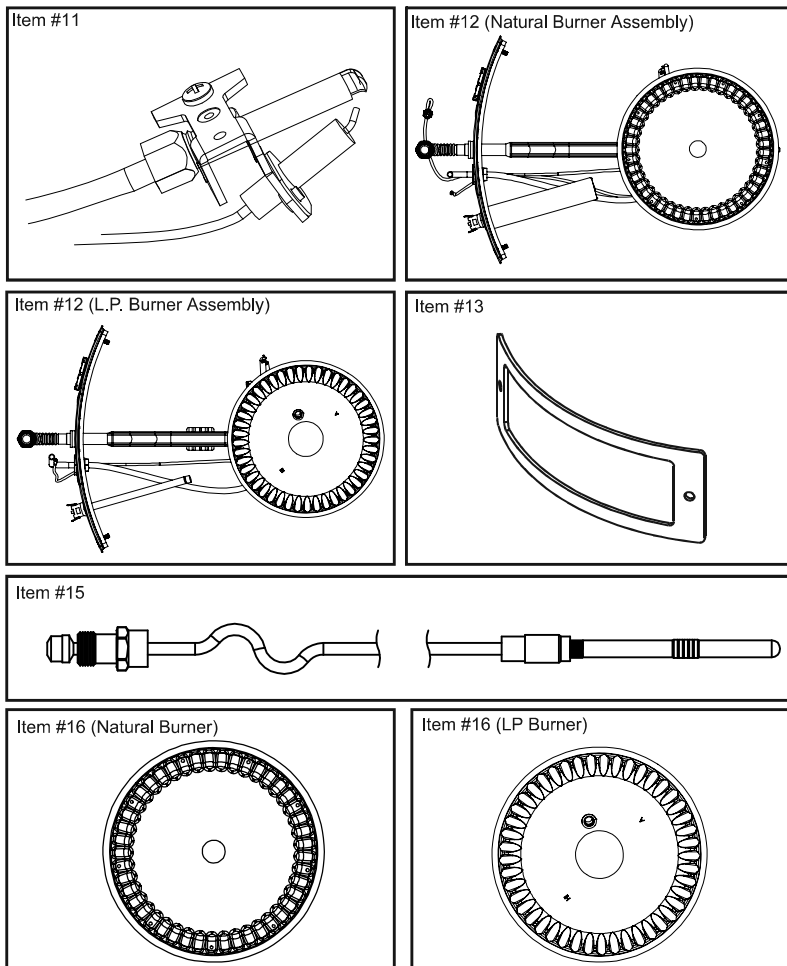
Item 11: Pilot/Pilot Tube assembly kit, which contains the pilot and pilot tubing (Natural Gas or L.P.)

Item 12: Final burner assembly which contains the burner, orifice, manifold tube, gasket, door, pilot tube, thermocouple, manifold component block with retainer clip, thermal switch, and pilot assembly. (Natural Gas/Low Nox or L.P.)

Item 13: Contains manifold door gasket

item 15: Contains thermocouple

item 16: Contains burner



®Teflon is a registered trademark of E.I. Du Pont De Nemours and Company  
© 2013 State Industries, Inc. All Rights Reserved.  
Manufactured under license by American Water Heater Company, Tennessee.  
Limited Warranty provided by Manufacturer.