



Buckley™ | K-35936

Wall-mount bath spout

Features

- 6-3/8" (162 mm) non-diverter bath spout with slip-fit connection
- Coordinates with other products in the Buckley collection



Available Colors/Finishes

Color tiles intended for reference only.

- CP Polished Chrome
- BN Vibrant Brushed Nickel
- BL Matte Black



Codes/Standards

ASME A112.18.1/CSA B125.1

Technical Information

All product dimensions are nominal.

Spout

Spout Reach: 6-3/8" (163 mm)

Material

- Premium metal construction for durability and reliability
 - KOHLER finishes resist corrosion and tarnishing
-

Warranty

See website for detailed warranty information.

KOHLER® Faucet Lifetime Limited Warranty

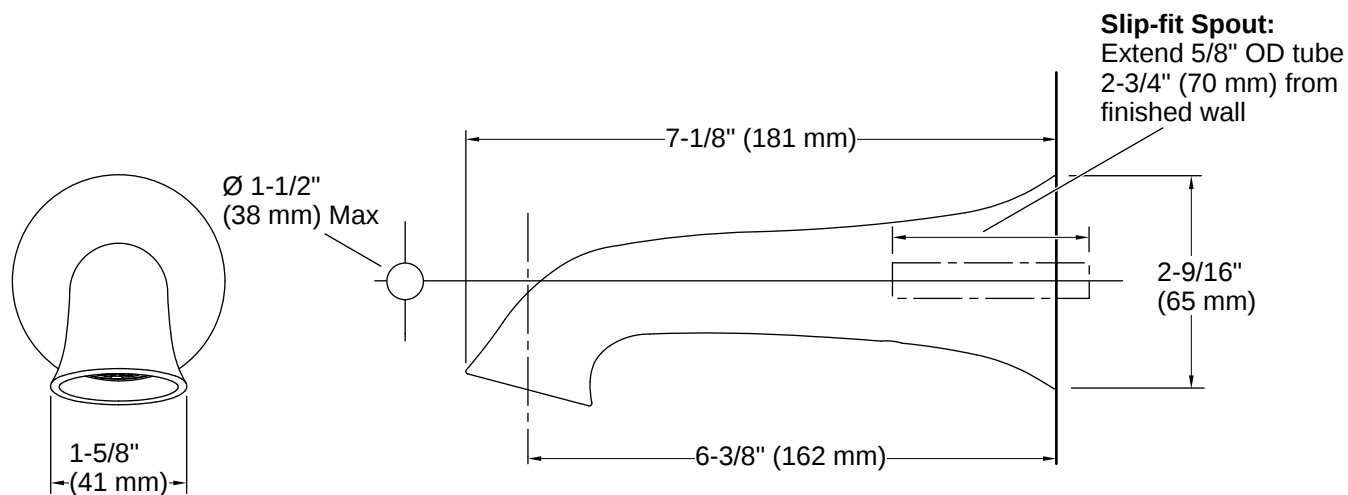


1-800-4KOHLER (1-800-456-4537)

Kohler Co. reserves the right to make revisions without notice to product specifications.

For the most current specification sheet, go to www.kohler.com USA or www.kohler.ca Canada.

3-27-2026 17:41 - US-CA



Installation

- Wall-mount

Installation Notes

Install this product according to the installation instructions.

