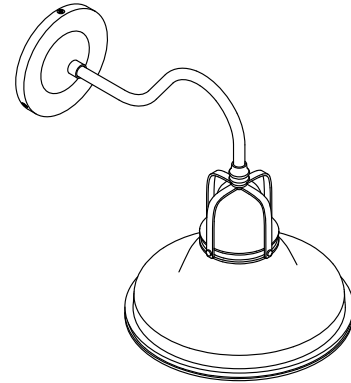


Features

- The double-domed metal shade features a cage detail at the connection
- A perfect piece for any farmhouse- or industrial-style space — kitchen, master bathroom, guest bathroom, hallway, or mudroom
- Medium base (E26) socket, works best with type A or G light bulbs (sold separately)
- Suitable for damp locations, per UL 1598

Material

- Manufactured with quality materials and complemented with a meticulous finishing process
- Durable finishes engineered to last and designed to coordinate with KOHLER faucet finishes



Codes/Standards





UL 1598
CSA C22.2 No. 250.0

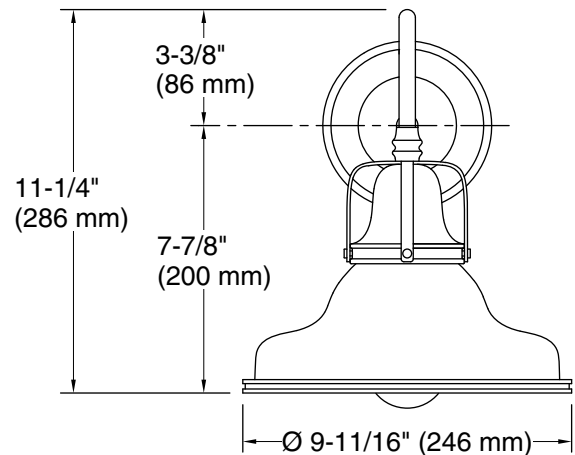
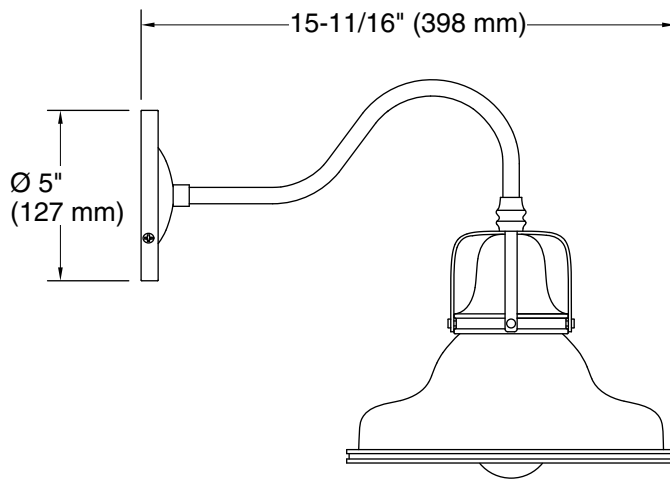
KOHLER® Indoor Lighting Fixtures Limited Warranty

See website for detailed warranty information.

Available Colors/Finishes

Color tiles intended for reference only.

Color	Code	Description
	CPL	Polished Chrome
	BML	Black, Brass Trim
	WCL	White, Chrome Trim
	WGL	White, Gold Trim



Required Electrical Service

One dedicated circuit required.

Lights: 120 V, 12 A, 60 Hz

Technical Information

All product dimensions are nominal.

Installation Type: Wall-mount

Material: Steel, Aluminum

Number of Lights: 1

Lighting Type: Socket-based

Socket Type: E-26 Medium

Number of Shades: 1

Shade Type: Metal

Electrical component Socket Rating: 60 Hz, 100 W
rating: