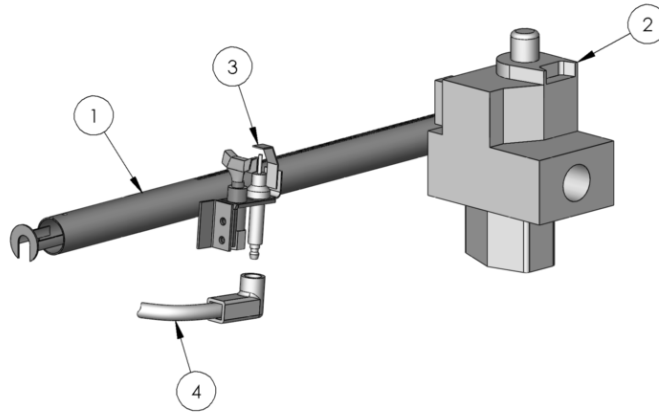


# 12. REPAIR PARTS

Repair parts are available from your local PB Heat, LLC distributor or from Parts To Your Door at 1 (610) 916-5380 ([www.partstoyourdoor.com](http://www.partstoyourdoor.com)).

Note: Remember to include the boiler model number and serial number when ordering parts.



**Figure 12.1: Gas Valve and Pilot**

**Table 12.1: Intermittent Ignition**

	Description	Quantity Required	Stock Code
1	Main Burner w/ Pilot Bracket	–	50163
2	Gas Valve, Hon VR8304M, Natural Gas	–	50589
	Gas Valve, Hon VR8304P, LP Gas	–	50724
3	Pilot, Nat Gas, Q348A1002	–	50558
	Pilot, LP Gas, Q348A1358	–	51814
4	Ignition Cable	–	50627

Part numbers may be subject to change without notice.

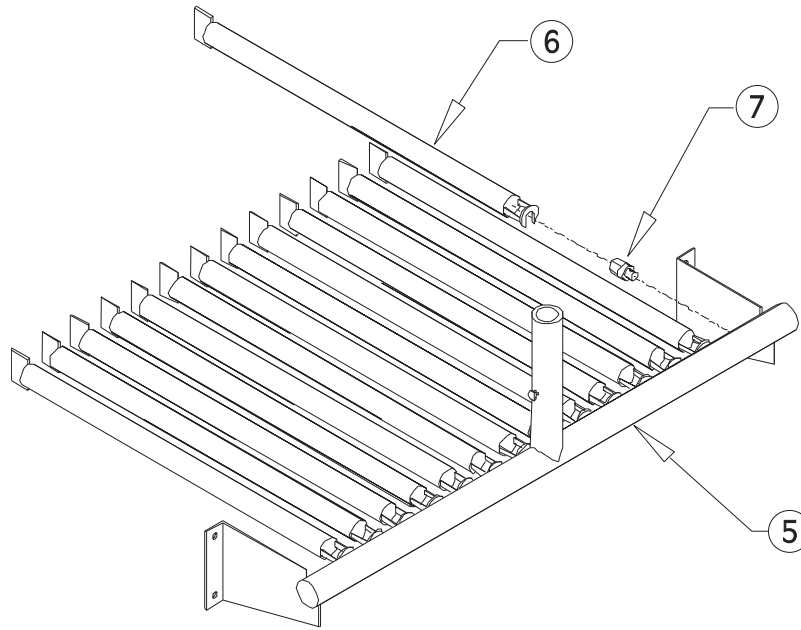


Figure 12.2

Table 12.2

	Description	Quantity Required	Stock Code
5	Gas Manifold – GM-05	–	50712
	Gas Manifold – GM-06	–	50713
	Gas Manifold – GM-07	–	50714
	Gas Manifold – GM-08	–	50715
6	Main Burner – GM-05	7	50192
	Main Burner – GM-06	9	50192
	Main Burner – GM-07	11	50192
	Main Burner – GM-08	13	50192
–	Main Burner w/ Pilot Clip	1	51540
7	Orifice Spud, #40 – Natural Gas – GM-05	8	7157
	Orifice Spud, #40 – Natural Gas – GM-06	10	7157
	Orifice Spud, #40 – Natural Gas – GM-07	12	7157
	Orifice Spud, #40 – Natural Gas – GM-08	14	7157
	Orifice Spud, #40 – LP Gas – GM-05	8	50774
	Orifice Spud, #40 – LP Gas – GM-06	10	50774
	Orifice Spud, #40 – LP Gas – GM-07	12	50774
	Orifice Spud, #40 – LP Gas – GM-08	14	50774

Part numbers may be subject to change without notice.

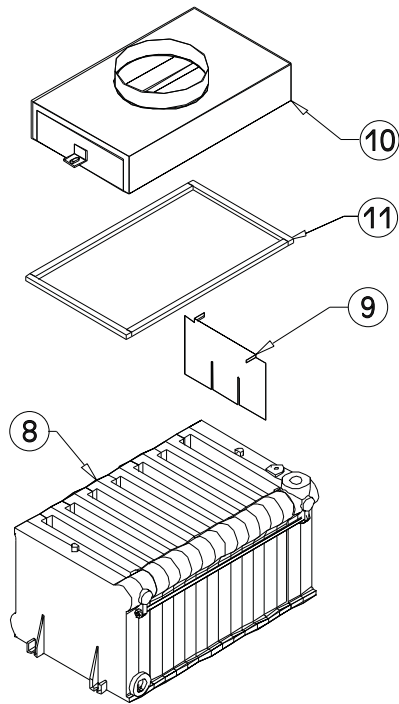


Figure 12.3a

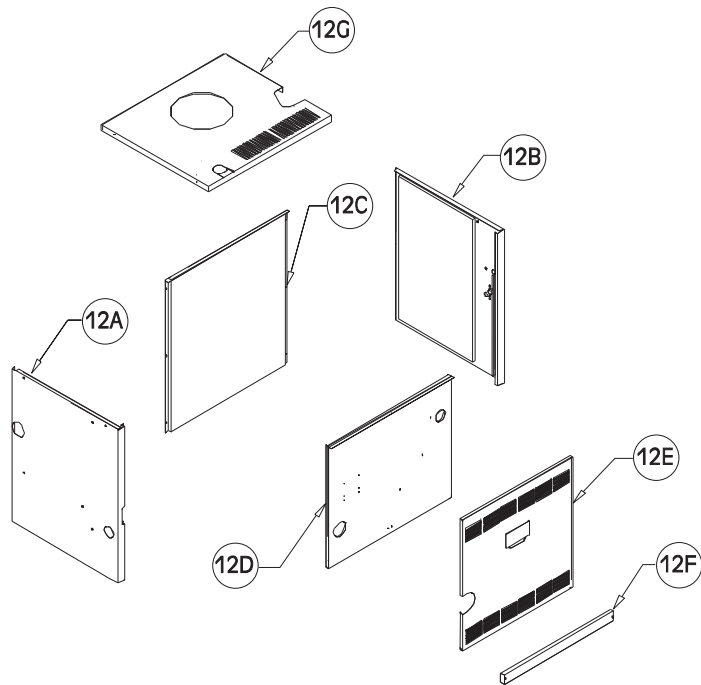


Figure 12.3b

Table 12.3

	Description	Quantity Required	Stock Code
8	Block – GM-05	–	91041
	Block – GM-06	–	91042
	Block – GM-07	–	91043
	Block – GM-08	–	91044
9	Flue Baffle (all sizes)	–	51694
10	Flue Collector, GM-05 (requires 5' of Blanket Strips Item #11)	–	90975
	Flue Collector, GM-06 (requires 6' of Blanket Strips Item #11)	–	90976
	Flue Collector, GM-07 (requires 6' of Blanket Strips Item #11)	–	90987
	Flue Collector, GM-08 (requires 7' of Blanket Strips Item #11)	–	90988
11	Flue Collector Blanket Seal (specify length)	–	50866
12	Jacket Assembly (Complete Jacket*) – GM-05	–	90465
	Jacket Assembly (Complete Jacket*) – GM-06	–	90466
	Jacket Assembly (Complete Jacket*) – GM-07	–	90467
	Jacket Assembly (Complete Jacket*) – GM-08	–	90468
	<b>*Complete Jacket Consists of:</b>		
12A	Left Side Panel		
12B	Right Side Panel		
12C	Rear Panel		
12D	Inner Front Panel		
12E	Removable Front Panel		
12F	Lower Front Panel		
12G	Top Panel		

Part numbers may be subject to change without notice.

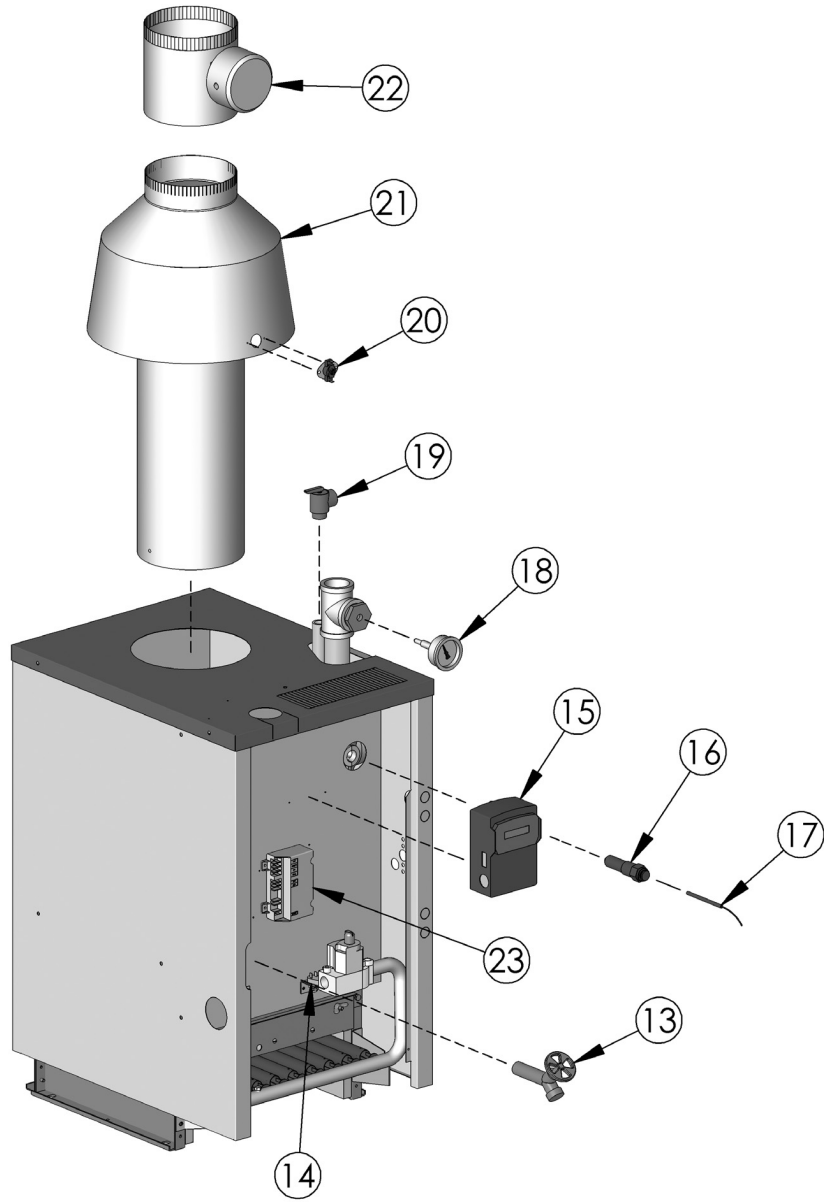


Figure 12.4

Table 12.4

	Description	Quantity Required	Stock Code
13	3/4" Drain Valve, Conbraco 31-602-04	–	50517
14	Flame Rollout Safety Shutoff Switch	–	51587
15	Limit Control, Beckett AquaSmart 7600B	–	50335
	Limit Control, Hydrolevel HydroStat 3200, with sensor	–	50334
16	Immersion Well, Beckett 7600T	–	50341
	Immersion Well, Hydrolevel	–	50723
17	Immersion Sensor, Beckett 7600P	–	50339
	Immersion Sensor, Hydrolevel	–	54522
18	Temperature-Pressure Gage [30, 50 PSI (207 kPa, 345 kPa) safety relief valve]	–	51774
	Temperature-Pressure Gage [80, 100 PSI (552 kPa, 689 kPa) safety relief valve]	–	55845
19	Safety Relief Valve, 30 PSI (207 kPa)	–	50501
	Safety Relief Valve, 50 PSI (345 kPa)	–	99950
	Safety Relief Valve, 80 PSI (552 kPa)	–	99502
	Safety Relief Valve, 100 PSI (689 kPa)	–	50118
20	Blocked Vent Switch (Vent Safety Shutoff)	–	51590
21	Draft Hood, GM-05 (8" outlet)	–	90995
	Draft Hood, GM-06 (9" outlet)	–	90996
	Draft Hood, GM-07, GM-08 (10" outlet)	–	90997
22	Automatic Vent Damper, GM-05 (8" outlet)	–	90611
	Automatic Vent Damper, GM-06 (9" outlet)	–	50167
	Automatic Vent Damper, GM-07, GM-08 (10" outlet)	–	50168
23	Ignition Module, Honeywell S8610M	–	50672
–	Burner Access Panel – GM-05	–	91266
–	Burner Access Panel – GM-06	–	91267
–	Burner Access Panel – GM-07	–	91268
–	Burner Access Panel – GM-08	–	91269

Part numbers may be subject to change without notice.