

VITOROND 100

compatible with Honeywell, HydroLevel and Vitotronic

Vitorond 100	VR1-40	VR1-50	VR1-63	
General Info	Price List Section: 1.4			
	Parts Catalog Section 04			
	Series Name: VR1 (11/2007 - present)			
	Applies to serials nos. beginning with: 7344556...		7344557... 7344558...	
	Accurate as of: 11/11/2013			

Parts List

Please refer to: Parts List
Pos. Description

Part Numbers / Price Categories

0001	5-Point Sensor Well	7812 102 ¹²	7812 102 ¹²	7812 102 ¹²	
0002	Comb.Chbr.Dr.Refr.	7818 456 ²²	7818 456 ²²	7818 456 ²²	
0003	Comb. Chamber Door	7822 661 ²⁹	7822 661 ²⁹	7822 661 ²⁹	
0004	Hinge Bracket	7817 538 ⁸	7817 538 ⁸	7817 538 ⁸	
0005	Gasket GF 16 x 12 l=2000	7820 301 ¹⁰	7820 301 ¹⁰	7820 301 ¹⁰	
0006 ^{*1}	Gasket GF, 3x116mm	7314 414 ^{KIT}	7314 414 ^{KIT}	7314 414 ^{KIT}	
0008	Observ. Port Cover	7819 163 ⁴	7819 163 ⁴	7819 163 ⁴	
0010	Gasket GF 16 x 12 l=1000	7820 851 ⁸	7820 851 ⁸	7820 851 ⁸	
0013	Turbulator Insert	7818 150 ^D	7818 150 ^D	7818 150 ^D	
0014	Turbulator Insert	7824 796 ^D	n.a. n.a.	n.a. n.a.	
0016	Cleaning Brush Handle 800mm	7818 326 ⁷	7818 326 ⁷	7818 326 ⁷	
0017	Cleaning Brush (No Handle)	7818 220 ⁶	7818 220 ⁶	7818 220 ⁶	
0018 ^{*2}	Front Section (ASME)	7823 626 ^D	7823 626 ^D	7823 626 ^D	
0019 ^{*2}	Mid Section (ASME)	7824 797 ^D	7824 797 ^D	7824 797 ^D	
0020 ^{*2}	Rear Section (ASME)	7824 813 ⁶²	7824 813 ⁶²	7824 813 ⁶²	
0023	Comb. Chamber Insert	7820 298 ²²	7820 298 ²²	7820 298 ²²	
0202	Top Panel-Front	7825 226 ²³	7825 226 ²³	7825 226 ²³	
0203	Side Panel, Left	7825 211 ²⁸	7825 212 ²⁸	7825 213 ²⁸	
0204	Insulation Blkt	7822 457 ¹⁵	7822 458 ¹⁶	7822 459 ¹⁷	
0205	Back Panel	7825 222 ²⁰	7825 222 ²⁰	7825 222 ²⁰	
0206	Insulation Blkt-Rear	7823 267 ¹⁰	7823 267 ¹⁰	7823 267 ¹⁰	
0207	Front Panel	7825 238 ²⁰	7825 238 ²⁰	7825 238 ²⁰	
0208	Support Bracket	7825 234 ¹⁸	7825 234 ¹⁸	7825 234 ¹⁸	
0209	Top Panel-Rear	7825 232 ²⁶	7825 207 ²⁶	7825 208 ²³	
0210	Side Panel, Right	7823 633 ²⁸	7823 636 ²⁸	7823 637 ²⁸	
0211	Nameplate "Vitorond 100"	7825 471 ⁵	7825 471 ⁵	7825 471 ⁵	
0212	Cover, Edgemolding	7819 438 ⁴	7819 438 ⁴	7819 438 ⁴	
0215	Cover Plate	7828 145 ¹³	7828 145 ¹³	7828 145 ¹³	
0300	Touch-UP Spray Paint Vitotec, SIL	7819 545 ⁹	7819 545 ⁹	7819 545 ⁹	
0301	Touch-UP Paint Stk Vitotec SIL	7819 546 ⁵	7819 546 ⁵	7819 546 ⁵	
0304	Access. Pack (Insulation)	7825 314 ⁸	7825 314 ⁸	7825 314 ⁸	
0305 ^{*2}	Split Kit, VR1-40/50/63 (1 section)	7821 010 ⁹	7821 010 ⁹	7821 010 ⁹	
0400	Installation Fittings for Honeywell control	7134 850 ³⁶	7134 850 ³⁶	7134 850 ³⁶	
0401	Sediment Faucet, 3/4" NPT	9542 942 ⁵	9542 942 ⁵	9542 942 ⁵	
0402	Pr.Rel Valve, 3/4" (FF) 30PSI	9542 940 ⁸	9542 940 ⁸	9542 940 ⁸	
0403	Vent Pipe Adaptor, 6"	9560 978 ⁷	9560 978 ⁷	9560 978 ⁷	
0404	Sensor Well f HW L8148A1124	9560 935 ¹⁰	9560 935 ¹⁰	9560 935 ¹⁰	
0405	Access. Pack (Brnr.Inst.Hdwr)	7134 482 ⁸	7134 482 ⁸	7134 482 ⁸	
0406	Temp. + Pr. Gage "WAKAI"	7823 242 ⁹	7823 242 ⁹	7823 242 ⁹	
0407	Aquastat (electr) L7248C1006B	9577 488 ²⁴	9577 488 ²⁴	9577 488 ²⁴	
0408	Burner Cable 85" (4-wire)	9516 897 ¹²	9516 897 ¹²	9516 897 ¹²	
0500	Installation Fittings for Vitotronic control	7134 852 ^{Other}	7134 852 ^{Other}	7134 852 ^{Other}	
0501	Sediment Faucet, 3/4" NPT	9542 942 ⁵	9542 942 ⁵	9542 942 ⁵	
0502	Pr.Rel Valve, 3/4" (FF) 30PSI	9542 940 ⁸	9542 940 ⁸	9542 940 ⁸	
0503	Vent Pipe Adaptor, 6"	9560 978 ⁷	9560 978 ⁷	9560 978 ⁷	
0504	Junction Box	7133 638 ¹⁸	7133 638 ¹⁸	7133 638 ¹⁸	
0505	Access. Pack (Brnr.Inst.Hdwr)	7134 482 ⁸	7134 482 ⁸	7134 482 ⁸	
0506	Temp. + Pr. Gage "WAKAI"	7823 242 ⁹	7823 242 ⁹	7823 242 ⁹	
0507	Control Cable w #41 Plug	7196 808 ⁸	7196 808 ⁸	7196 808 ⁸	continued

VITOROND 100

compatible with Honeywell, HydroLevel and Vitotronic

Vitorond 100	VR1-40	VR1-50	VR1-63	
General Info	Price List Section: 1.4			
	Parts Catalog Section 04			
	Series Name: VR1 (11/2007 - present)			
	Applies to serials nos. beginning with: 7344556...		7344557... 7344558...	
	Accurate as of: 11/11/2013			

Parts List

Please refer to: Parts List
Pos. Description

Part Numbers / Price Categories

Pos.	Description	Part Numbers / Price Categories
0508	Burner Cable (#41) f VR1 w Vitotronic	7262 277 ¹³ 7262 277 ¹³ 7262 277 ¹³
0509	Vitotronic Retrofit Housing	7282 852 ²² 7282 852 ²² 7282 852 ²²
0510	Return Injector Nozzle	7828 187 ^D 7828 187 ^D 7828 187 ^D
0600	Install/Service/Oper.Instr.	5351 291 ^L 5351 291 ^L 5351 291 ^L
0602	Warranty Sheet Cast-Iron, Residential	5348 719 ^L 5348 719 ^L 5348 719 ^L
0700	Installation Fittings for HydroLevel control	7536 808 ^{Other} 7536 808 ^{Other} 7536 808 ^{Other}
0701	Hydrostat (HL) Model 3250-Plus	9648 808 ²² 9648 808 ²² 9648 808 ²²
0702	Electro Well (HL), extended 3/4" NPT	9648 802 ⁸ 9648 802 ⁸ 9648 802 ⁸
0703	Hex. Bushing, 1½" x ¾"	9560 944 ⁶ 9560 944 ⁶ 9560 944 ⁶
0704	Temp. + Pr. Gage "WAKAII"	7823 242 ⁹ 7823 242 ⁹ 7823 242 ⁹
0705	Red.Tee 2 x 2 x ½"	9516 533 ^{n.a.} 9516 533 ^{n.a.} 9516 533 ^{n.a.}
0706	Nipple, 2" x 5"	9516 541 ^{n.a.} 9516 541 ^{n.a.} 9516 541 ^{n.a.}
0707	Red.Tee 2 x ¾ x 2"	9516 534 ^{n.a.} 9516 534 ^{n.a.} 9516 534 ^{n.a.}
0708	90° Street Elbow, ¾" BMI	9543 277 ⁴ 9543 277 ⁴ 9543 277 ⁴
0709	Nipple, ¾" x 3½" BLK	9543 293 ⁴ 9543 293 ⁴ 9543 293 ⁴
0710	Pr.Rel Valve, ¾" (FF) 30PSI	9542 940 ⁸ 9542 940 ⁸ 9542 940 ⁸
0711	Red.Tee, 2 x 2 x ¾"	9560 933 ⁸ 9560 933 ⁸ 9560 933 ⁸
0712	Sediment Faucet, ¾"	9542 942 ⁵ 9542 942 ⁵ 9542 942 ⁵
0713	Vent Pipe Adaptor, 6"	9560 978 ⁷ 9560 978 ⁷ 9560 978 ⁷
0715	Burner Cable 85" (4-wire)	9516 897 ¹² 9516 897 ¹² 9516 897 ¹²
0717	Access. Pack (Brnr.Inst.Hdwr)	7134 482 ⁸ 7134 482 ⁸ 7134 482 ⁸
0721	Cable Clamp	9560 934 ^{n.a.} 9560 934 ^{n.a.} 9560 934 ^{n.a.}
0722	Mounting Kit (HL) w 4' Sensor	9648 879 ¹² 9648 879 ¹² 9648 879 ¹²
0730	Install./Serv. Instr. VR1 40-63 HL v6	5583 572 ^L 5583 572 ^L 5583 572 ^L
0731	Install. Instr. Supp. VR1 w HydroLevel	5848 107 ^L 5848 107 ^L 5848 107 ^L
0732	Install./Oper. Instr. Hydrost. 3250-Plus	5848 108 ^L 5848 108 ^L 5848 108 ^L
0733	Warranty Sheet Cast-Iron, Residential v2	5348 719 ^L 5348 719 ^L 5348 719 ^L
0734	Parts List Inst. Set, VR1 (HL)	5348 099 ^L 5348 099 ^L 5348 099 ^L

Notes:

*1 IMPORTANT Ships with 7303945 adhesive.

*2 IMPORTANT Each replacement cast-iron section must be sold with a split kit.

"n.a." indicates not applicable.

"W" indicates wearing part (service).

"L" indicates literature (no charge).

"Kit" or "Other" indicates that this is not a Price Category item; contact Inside Sales for pricing.

"D" indicates discontinued.

Parts List



VITOROND 100 VR1 Series

Model No.	Serial No.
VR1-40	7344556□□□□□□□□
VR1-50	7344557□□□□□□□□
VR1-63	7344558□□□□□□□□

Ordering Replacement Parts:
Please provide boiler Model and Serial Number from rating plate when ordering replacement parts. Order replacement components from your Viessmann distributor.

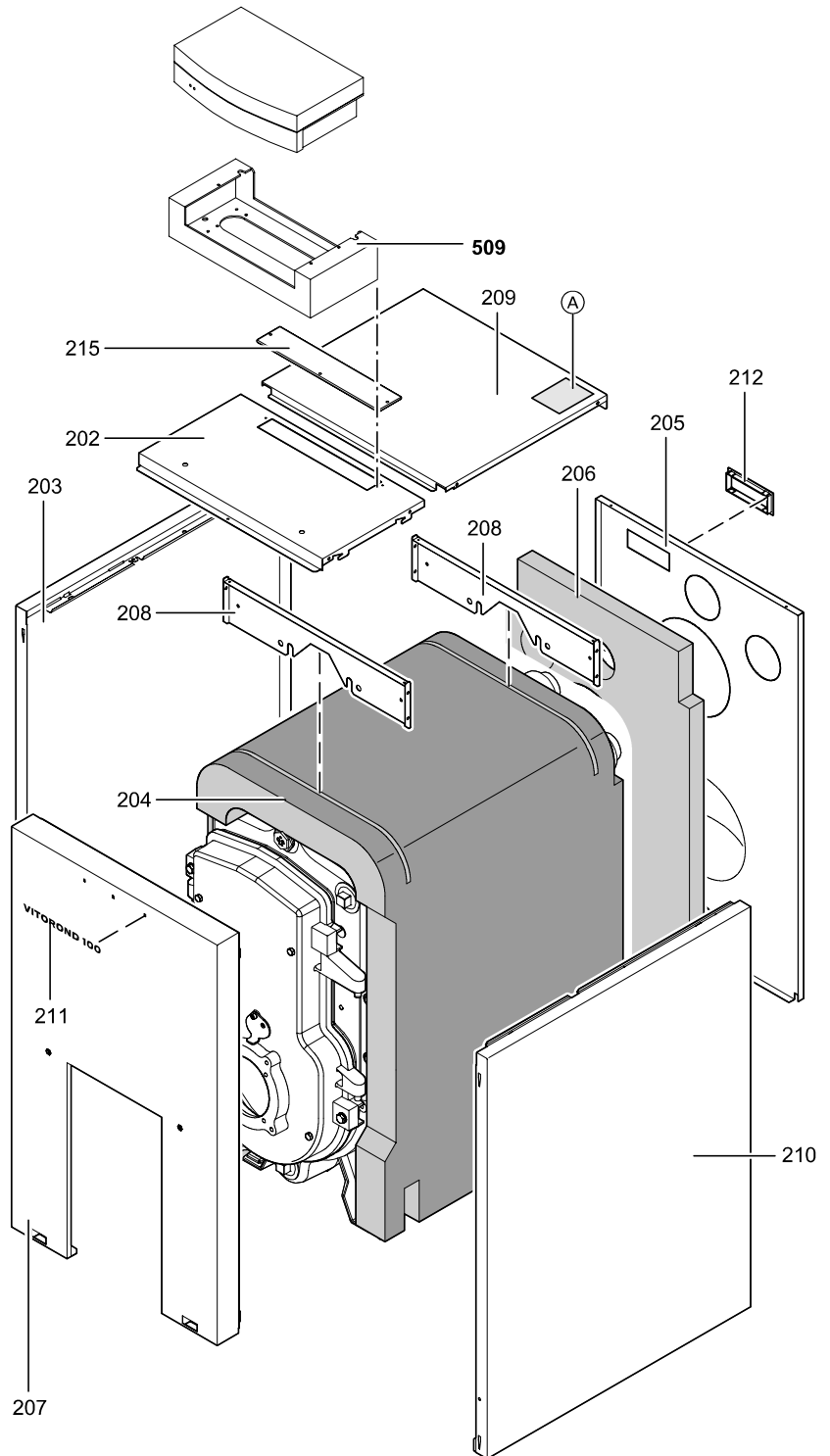
Parts

- 202 Top panel, front
- 203 Side panel, left
- 204 Insulation blanket
- 205 Back panel
- 206 Insulation blanket, rear
- 207 Front panel
- 208 Support bracket
- 209 Top panel, rear
- 210 Side panel, right
- 211 Nameplate "Vitorond 100"
- 212 Cover, edgemolding
- 215 Cover plate
- 509 Vitotronic retrofit housing

Other Parts (not illustrated)

- 300 Touch-up spray paint, Vitotec, silver
- 301 Touch-up paint stick, Vitotec silver
- 304 Accessory pack, small parts for insulation jacket
- 400 Installation fittings for Aquastat applications
- 500 Installation fittings for Vitotronic applications
- 600 Installation, Service and Operating Instructions
- 602 Warranty Sheet, Cast-Iron / Residential

(A) Rating plate (location of serial no.)



Please file in Service Binder

VITOROND 100

VR1 Series

Parts

- 001 5-Point sensor well
- 002 Combustion chamber door refractory
- 003 Combustion chamber door
- 004 Hinge bracket
- 005 Glass-fiber gasket, 16 x 12 L=2000 mm
- 006 Glass-fiber gasket, 3 x 116 mm *1
- 008 Observation port cover
- 010 Glass-fiber gasket, 16 x 12 L=1000 mm
- 013 Turbulator insert *2
- 014 Turbulator insert *3
- 018 Front section (ASME) *6
- 019 Mid section (ASME) *6
- 020 Rear section (ASME) *6
- 023 Combustion chamber insert
- 305 Split kit for 1 cast-iron section *6

400 Installation fittings

for Aquastat applications

- 401 Sediment faucet, 3/4" NPT
- 402 Pressure relief valve, 30 psig
- 403 Vent pipe adaptor, 6"
- 404 Sensor well
- 405 Accessory pack, burner installation hardware
- 406 Temperature and pressure gage
- 407 Aquastat
- 408 Burner cable 85", 4-wire *4

500 Installation fittings

for Vitotronic applications

- 501 Sediment faucet, 3/4" NPT
- 502 Pressure relief valve, 30 psig
- 503 Vent pipe adaptor, 6"
- 504 Junction box *4
- 505 Accessory pack, burner installation hardware
- 506 Temperature and pressure gage
- 507 Control cable with #41 plug *4
- 508 Burner cable (#41) *4
- 510 Return injector nozzle

Wear Parts

- 016 Cleaning brush handle 800mm *5
- 017 Cleaning brush (no handle) *5

*1 sold with adhesive

*2 for VR1-40/50/63

*3 for VR1-40 only

*4 not shown on diagram

*5 optional - not standard equipment of boiler

*6 each replacement cast-iron section must be sold with a split kit

