

# VITODENS 200-W

## B2HA Series

Vitodens 200-W	B2HA 80 B2HAG85	B2HA 88 B2HAG86	B2HA 100 B2HAG87	
<b>General Info</b>	Price List Section: 2.2			
	Parts Catalog Section 10			
	Start Date 9/2015 -			
	End Date present			
	Applies to serials nos. beginning with: 7554705... 7554706... 7554707...			
	As at: 06/07/2016 01			

### Parts List

Please refer to: Parts List  
Pos. Description

### Part Numbers / Price Categories

#### Parts for Main Enclosure Assembly

0001	Cover Panel, boiler	7833 654 <sup>20</sup>	7833 654 <sup>20</sup>	7833 654 <sup>20</sup>	
0002	Nameplate "Viessmann"	7839 162 <sup>9</sup>	7839 162 <sup>9</sup>	7839 162 <sup>9</sup>	
0003	Mounting Clip (Set of 2)	7817 500 <sup>3</sup>	7817 500 <sup>3</sup>	7817 500 <sup>3</sup>	
0004	Cover Panel, electronics	7839 757 <sup>26</sup>	7839 757 <sup>26</sup>	7839 757 <sup>26</sup>	
0005	Ctrl Housing	7833 699 <sup>14</sup>	7833 699 <sup>14</sup>	7833 699 <sup>14</sup>	
0006	Mounting Rail, left	7836 183 <sup>11</sup>	7836 183 <sup>11</sup>	7836 183 <sup>11</sup>	
0007	Mounting Rail, right	7836 184 <sup>11</sup>	7836 184 <sup>11</sup>	7836 184 <sup>11</sup>	
0008	Cover Panel	7833 473 <sup>13</sup>	7833 473 <sup>13</sup>	7833 473 <sup>13</sup>	
0009	Wall-Mount Bracket	7826 547 <sup>7</sup>	7826 547 <sup>7</sup>	7826 547 <sup>7</sup>	
0010	Support Bracket, right	7844 902 <sup>15</sup>	7844 902 <sup>15</sup>	7844 902 <sup>15</sup>	
0011	Support Bracket, left	7844 903 <sup>15</sup>	7844 903 <sup>15</sup>	7844 903 <sup>15</sup>	
0012	Leveling Bolt	7835 110 <sup>10</sup>	7835 110 <sup>10</sup>	7835 110 <sup>10</sup>	
0013	Electrical Box	7843 568 <sup>Other</sup>	7843 568 <sup>Other</sup>	7843 568 <sup>Other</sup>	
0014	Electrical Box Cover	7843 569 <sup>Other</sup>	7843 569 <sup>Other</sup>	7843 569 <sup>Other</sup>	

#### Parts for Pressure Vessel Assembly

0001	Condensate Flex Hose (exit)	7839 794 <sup>7</sup>	7839 794 <sup>7</sup>	7839 794 <sup>7</sup>	
0002	Gasket (Air Intake) d = 150mm	7818 559 <sup>9</sup>	7818 559 <sup>9</sup>	7818 559 <sup>9</sup>	
0003	Gasket (Flue Gas) d = 100mm	7826 553 <sup>7</sup>	7826 553 <sup>7</sup>	7826 553 <sup>7</sup>	
0004	Test Port Cap (Set of 2)	7822 742 <sup>6</sup>	7822 742 <sup>6</sup>	7822 742 <sup>6</sup>	
0005	Sensor #15 (Flue Gas)	7822 767 <sup>8</sup>	7822 767 <sup>8</sup>	7822 767 <sup>8</sup>	
0006	Heat Exchanger Assly, ASME	7843 753 <sup>98</sup>	7843 753 <sup>98</sup>	7843 753 <sup>98</sup>	
0007	Condensate Drain Kit	7836 593 <sup>17</sup>	7836 593 <sup>17</sup>	7836 593 <sup>17</sup>	
0008	Gas Distribution Pipe 2	7839 713 <sup>15</sup>	7839 713 <sup>15</sup>	7839 713 <sup>15</sup>	
0009	Grommet (Flue Gas), DN110	7817 688 <sup>5</sup>	7817 688 <sup>5</sup>	7817 688 <sup>5</sup>	
0010	Vent Pipe Adaptor 110/150	7835 050 <sup>16</sup>	7835 050 <sup>16</sup>	7835 050 <sup>16</sup>	
0011	Comb.Chbr.Refr.	7828 793 <sup>12</sup>	7828 793 <sup>12</sup>	7828 793 <sup>12</sup>	
0012	P-Trap	7843 045 <sup>11</sup>	7843 045 <sup>11</sup>	7843 045 <sup>11</sup>	
0013	Gasket (Set of 5, 21x30x2)	7842 392 <sup>6</sup>	7842 392 <sup>6</sup>	7842 392 <sup>6</sup>	
0014	Gas Distribution Pipe 1	7828 798 <sup>16</sup>	7828 798 <sup>16</sup>	7828 798 <sup>16</sup>	
0016	Sealing Grommet (each)	7839 724 <sup>7</sup>	7839 724 <sup>7</sup>	7839 724 <sup>7</sup>	
0017	Grommet (P-Trap)	7843 046 <sup>8</sup>	7843 046 <sup>8</sup>	7843 046 <sup>8</sup>	
0018	Pipe Clamp DN25 (Set of 5)	7827 429 <sup>6</sup>	7827 429 <sup>6</sup>	7827 429 <sup>6</sup>	
0019	Extension Pipe 1" NPT (gas)	7839 718 <sup>13</sup>	7839 718 <sup>13</sup>	7839 718 <sup>13</sup>	
0020	O-Ring (Set of 5, 24X2.5)	7839 650 <sup>8</sup>	7839 650 <sup>8</sup>	7839 650 <sup>8</sup>	
0021	Connector D21 (htg.supp)	7839 651 <sup>13</sup>	7839 651 <sup>13</sup>	7839 651 <sup>13</sup>	
0022	Gaskets, NG/LP (5 Pcs)	7831 673 <sup>7</sup>	7831 673 <sup>7</sup>	7831 673 <sup>7</sup>	

# VITODENS 200-W

## B2HA Series

Vitodens 200-W		B2HA 80 B2HAG85	B2HA 88 B2HAG86	B2HA 100 B2HAG87	
<b>General Info</b>	Price List Section:	2.2			
	Parts Catalog Section	10			
	Start Date	9/2015 -			
	End Date	present			
	Applies to serials nos. beginning with:	7554705...	7554706...	7554707...	
	As at:	06/07/2016 01			

### Parts List

Please refer to: Parts List  
Pos. Description

### Part Numbers / Price Categories

#### Parts for Burner Assembly

0001	Burner Gasket, 299x5.6mm	7836 178 <sup>14</sup>	7836 178 <sup>14</sup>	7836 178 <sup>14</sup>	
0002	Insulating Ring	7844 913 <sup>16</sup>	7844 913 <sup>16</sup>	7844 913 <sup>16</sup>	
0003	Burner Tube, NG/LP	7832 826 <sup>43</sup>	7832 826 <sup>43</sup>	7832 826 <sup>43</sup>	
0004	Gasket (Burner Tube)	7826 524 <sup>6</sup>	7826 524 <sup>6</sup>	7826 524 <sup>6</sup>	
0005	Ignition Electr. w Gskt	7829 798 <sup>10</sup>	7829 798 <sup>10</sup>	7829 798 <sup>10</sup>	
0006	Ionization Electr. w Gskt	7836 489 <sup>13</sup>	7836 489 <sup>13</sup>	7836 489 <sup>13</sup>	
0007	Flapper	7835 111 <sup>10</sup>	7835 111 <sup>10</sup>	7835 111 <sup>10</sup>	
0008	Radial Fan RG148	7842 421 <sup>53</sup>	7842 421 <sup>53</sup>	7842 421 <sup>53</sup>	
0009	Gas Valve CES10 (w Gskt)	7839 704 <sup>21</sup>	7839 704 <sup>21</sup>	7839 704 <sup>21</sup>	
0010	Burner Mounting Flange Assly	7844 914 <sup>29</sup>	7844 914 <sup>29</sup>	7844 914 <sup>29</sup>	
0011	Ignition Module	7839 612 <sup>13</sup>	7839 612 <sup>13</sup>	7839 612 <sup>13</sup>	
0012	Gasket (Ioniz. Electrode)	7827 031 <sup>6</sup>	7827 031 <sup>6</sup>	7827 031 <sup>6</sup>	
0013	Gasket (Ignition Electrode)	7827 025 <sup>6</sup>	7827 025 <sup>6</sup>	7827 025 <sup>6</sup>	
0014	Ground Terminal (Set of 10)	7819 839 <sup>6</sup>	7819 839 <sup>6</sup>	7819 839 <sup>6</sup>	
0015	Orifice	7833 979 <sup>7</sup>	7833 979 <sup>7</sup>	7833 979 <sup>7</sup>	
0016	Bracket (Set of 3)	7839 706 <sup>9</sup>	7839 706 <sup>9</sup>	7839 706 <sup>9</sup>	
0017	Mounting Plate (Ign.Module)	7839 600 <sup>8</sup>	7839 600 <sup>8</sup>	7839 600 <sup>8</sup>	
0018	Cover Panel, gas valve	7839 966 <sup>9</sup>	7839 966 <sup>9</sup>	7839 966 <sup>9</sup>	
0019	Access. Pack (Bnr Scr,Set 6)	7844 909 <sup>8</sup>	7844 909 <sup>8</sup>	7844 909 <sup>8</sup>	
0020	Sight Glass	7843 269 <sup>16</sup>	7843 269 <sup>16</sup>	7843 269 <sup>16</sup>	

#### Parts for Hydronic Assembly

0001	O-Ring (Set of 3, ht.exch)	7835 467 <sup>5</sup>	7835 467 <sup>5</sup>	7835 467 <sup>5</sup>	
0002	Conn. Pipe 1 (htg rtn)	7828 931 <sup>19</sup>	7828 931 <sup>19</sup>	7828 931 <sup>19</sup>	
0003	Gasket 1 ¼ (Set of 5)	7835 225 <sup>6</sup>	7835 225 <sup>6</sup>	7835 225 <sup>6</sup>	
0004	Ball Valve w Gasket (Supply/Return Pipe)	7828 933 <sup>14</sup>	7828 933 <sup>14</sup>	7828 933 <sup>14</sup>	
0005	Flow Switch VK332M	7828 795 <sup>12</sup>	7828 795 <sup>12</sup>	7828 795 <sup>12</sup>	
0006	Conn. Pipe 2 (htg rtn)	7839 760 <sup>34</sup>	7839 760 <sup>34</sup>	7839 760 <sup>34</sup>	
0007	Sealing Grommet, Di= 28.0 W= 7	7839 761 <sup>6</sup>	7839 761 <sup>6</sup>	7839 761 <sup>6</sup>	
0008	O-Ring (Set of 5, supp/ret)	7839 721 <sup>8</sup>	7839 721 <sup>8</sup>	7839 721 <sup>8</sup>	
0009	Extension Pipe (supp/ret)	7839 722 <sup>15</sup>	7839 722 <sup>15</sup>	7839 722 <sup>15</sup>	
0010	Connector D32 (htg.supp)	7839 762 <sup>13</sup>	7839 762 <sup>13</sup>	7839 762 <sup>13</sup>	
0011	Heating Supply Conn. Pipe	7839 763 <sup>28</sup>	7839 763 <sup>28</sup>	7839 763 <sup>28</sup>	
0012	O-Ring, 8x2mm (5 Pcs)	7831 409 <sup>8</sup>	7831 409 <sup>8</sup>	7831 409 <sup>8</sup>	
0013	Clip D= 8 (Set of 5)	7827 943 <sup>6</sup>	7827 943 <sup>6</sup>	7827 943 <sup>6</sup>	
0014	Press. Gage (PSI) w clip/gsk	7839 764 <sup>11</sup>	7839 764 <sup>11</sup>	7839 764 <sup>11</sup>	
0015	Sealing Grommet, 60x30	7839 765 <sup>6</sup>	7839 765 <sup>6</sup>	7839 765 <sup>6</sup>	
0016	Sensor #3 (Boiler, Set of 2)	7835 112 <sup>13</sup>	7835 112 <sup>13</sup>	7835 112 <sup>13</sup>	

# VITODENS 200-W

## B2HA Series

Vitodens 200-W	B2HA 80 B2HAG85	B2HA 88 B2HAG86	B2HA 100 B2HAG87	
<b>General Info</b>	Price List Section:	2.2		
	Parts Catalog Section	10		
	Start Date	9/2015 -		
	End Date	present		
	Applies to serials nos. beginning with:	7554705...	7554706...	7554707...
	As at:	06/07/2016 01		

### Parts List

Please refer to: Parts List  
Pos. Description

### Part Numbers / Price Categories

#### Parts for Control Assembly

0001	Control Console	7849 642 <sup>49</sup>	7849 642 <sup>49</sup>	7849 642 <sup>49</sup>	
0002	Ctrl Housing, Rear	7841 005 <sup>18</sup>	7841 005 <sup>18</sup>	7841 005 <sup>18</sup>	
0003	Coding Plug	7849 828 <sup>8</sup>	7849 829 <sup>8</sup>	7849 830 <sup>8</sup>	
0004	Fuse, T6.3A/250V (Set of 10)	7404 365 <sup>6</sup>	7404 365 <sup>6</sup>	7404 365 <sup>6</sup>	
0005	Fuse Holder	7823 502 <sup>4</sup>	7823 502 <sup>4</sup>	7823 502 <sup>4</sup>	
0007	Vitotronic 200 HO1B	7841 544 <sup>25</sup>	7841 544 <sup>25</sup>	7841 544 <sup>25</sup>	
0008	Communication Module (LON)	7179 113 <sup>33</sup>	7179 113 <sup>33</sup>	7179 113 <sup>33</sup>	
0009	Circuit Board (LON Module Adaptor)	7823 033 <sup>10</sup>	7823 033 <sup>10</sup>	7823 033 <sup>10</sup>	
0010	Cable Harness X8/X9/Ioniz.	7836 840 <sup>16</sup>	7836 840 <sup>16</sup>	7836 840 <sup>16</sup>	
0011	Cable Harness 100/35/54/PE	7839 496 <sup>12</sup>	7839 496 <sup>12</sup>	7839 496 <sup>12</sup>	
0013	Counter Plug Neptune	7837 898 <sup>12</sup>	7837 898 <sup>12</sup>	7837 898 <sup>12</sup>	
0014	Strain Relief (Set of 10)	7823 516 <sup>6</sup>	7823 516 <sup>6</sup>	7823 516 <sup>6</sup>	
0015	Locking Assly (left/right)	7831 618 <sup>13</sup>	7831 618 <sup>13</sup>	7831 618 <sup>13</sup>	
0016	Sensor #1 (outdoor, NTC)	7837 053 <sup>21</sup>	7837 053 <sup>21</sup>	7837 053 <sup>21</sup>	
0017	Circuit Board (exp. functions)	7509 610 <sup>16</sup>	7509 610 <sup>16</sup>	7509 610 <sup>16</sup>	
0020	Power/Pump Ctrl Module	7839 389 <sup>32</sup>	7839 389 <sup>32</sup>	7839 389 <sup>32</sup>	
0021	Replacement Extension Module EA1	7509 475 <sup>24</sup>	7509 475 <sup>24</sup>	7509 475 <sup>24</sup>	
0022	Fuse, 2.0A/250V (Pkg of 10)	7404 363 <sup>6</sup>	7404 363 <sup>6</sup>	7404 363 <sup>6</sup>	
0023	Harness Set, PPC Module	7839 397 <sup>17</sup>	7839 397 <sup>17</sup>	7839 397 <sup>17</sup>	

# VITODENS 200-W

## B2HA Series

Vitodens 200-W	B2HA 80 B2HAG85	B2HA 88 B2HAG86	B2HA 100 B2HAG87	
<b>General Info</b>	Price List Section: 2.2			
	Parts Catalog Section: 10			
	Start Date: 9/2015 -			
	End Date: present			
	Applies to serials nos. beginning with: 7554705... 7554706... 7554707...			
	As at: 06/07/2016 01			

### Parts List

Please refer to: Parts List  
Pos. Description

Part Numbers / Price Categories

#### Parts for Installation Set

Part No.	Description	7529 679 <sup>Other</sup>	7529 679 <sup>Other</sup>	7529 679 <sup>Other</sup>
0100	Installation Set, B2HA 45-100			
0101	Nipple, 3/4" x 1 1/2"	9543 294 <sup>4</sup>	9543 294 <sup>4</sup>	9543 294 <sup>4</sup>
0102	Sediment Faucet, 3/4"	9653 664 <sup>5</sup>	9653 664 <sup>5</sup>	9653 664 <sup>5</sup>
0103	Tee, 3/4"	9544 337 <sup>4</sup>	9544 337 <sup>4</sup>	9544 337 <sup>4</sup>
0104	Nipple, 3/4" x 3 1/2"	9543 293 <sup>4</sup>	9543 293 <sup>4</sup>	9543 293 <sup>4</sup>
0105	Red.Tee, 1 1/2" x 1 1/2" x 3/4"	9549 661 <sup>8</sup>	9549 661 <sup>8</sup>	9549 661 <sup>8</sup>
0106	Gas Ball Valve	7424 391 <sup>7</sup>	7424 391 <sup>7</sup>	7424 391 <sup>7</sup>
0109	Access. Pack (Mtl.Stud Mt.Kit)	7134 206 <sup>5</sup>	7134 206 <sup>5</sup>	7134 206 <sup>5</sup>
0110	Access. Pack (Venting Fasteners)	7455 794 <sup>8</sup>	7455 794 <sup>8</sup>	7455 794 <sup>8</sup>
0111	Sensor #1 (outdoor, NTC) 10K	7508 904 <sup>11</sup>	7508 904 <sup>11</sup>	7508 904 <sup>11</sup>
0112	Pr.Rel Valve (Conbr.) 3/4" (FF) 30PSI	9542 940 <sup>8</sup>	9542 940 <sup>8</sup>	9542 940 <sup>8</sup>
0113	Pr.Rel Valve (Conbr.) 3/4" x 3/4" 45PSI	9549 944 <sup>11</sup>	9549 944 <sup>11</sup>	9549 944 <sup>11</sup>
0114	Pr.Rel Valve (Conbr.) 3/4" x 3/4" 60PSI	9560 183 <sup>11</sup>	9560 183 <sup>11</sup>	9560 183 <sup>11</sup>
0116	Keychain w Air Bleed Key "Viessmann mth"	9561 042 <sup>Other</sup>	9561 042 <sup>Other</sup>	9561 042 <sup>Other</sup>
0117	Thermometer (Winters) 2" 30-250°F	9653 218 <sup>13</sup>	9653 218 <sup>13</sup>	9653 218 <sup>13</sup>
0119	Sensor #5 (LLH, Immersion NTC)	7179 488 <sup>20</sup>	7179 488 <sup>20</sup>	7179 488 <sup>20</sup>
0120	Tech Lit Set B2HA 80/88/100 (CDN)	7661 185 <sup>L</sup>	7661 185 <sup>L</sup>	7661 185 <sup>L</sup>
0121	Install. Instr. B2HA 80/88/100	5685 827 <sup>L</sup>	5685 827 <sup>L</sup>	5685 827 <sup>L</sup>
0122	Service Instr. B2HA 80/88/100	5685 828 <sup>L</sup>	5685 828 <sup>L</sup>	5685 828 <sup>L</sup>
0123	Oper. Instr./User's Info. B2HB/B2TB	5461 885 <sup>L</sup>	5461 885 <sup>L</sup>	5461 885 <sup>L</sup>
0124	Parts List B2HA 80/88/100	5685 738 <sup>L</sup>	5685 738 <sup>L</sup>	5685 738 <sup>L</sup>
0125	Parts List B2HA inst.set	5774 184 <sup>L</sup>	5774 184 <sup>L</sup>	5774 184 <sup>L</sup>
0130	Install. Instr. Vent.Sys (Coax) 2014	5547 909 <sup>L</sup>	5547 909 <sup>L</sup>	5547 909 <sup>L</sup>
0131	Install. Instr. Vent.Sys (Flex) 2014	5547 910 <sup>L</sup>	5547 910 <sup>L</sup>	5547 910 <sup>L</sup>
0140	Warranty Sheet Condensing, Resid v2	5348 723 <sup>L</sup>	5348 723 <sup>L</sup>	5348 723 <sup>L</sup>
0150	Conv. Kit NG > LP	7542 022 <sup>4</sup>	7542 022 <sup>4</sup>	7542 022 <sup>4</sup>
0160	Touch-UP Spray Paint "Vitowhite"	7822 681 <sup>9</sup>	7822 681 <sup>9</sup>	7822 681 <sup>9</sup>
0161	Touch-UP Paint Stick "Vitowhite"	7822 682 <sup>5</sup>	7822 682 <sup>5</sup>	7822 682 <sup>5</sup>
0162	Lubricant 6g	7819 602 <sup>5</sup>	7819 602 <sup>5</sup>	7819 602 <sup>5</sup>

#### Notes:

"n.a." indicates not applicable.

"W" indicates wearing part (service).

"L" indicates literature (no charge).

"Kit" or "Other" indicates that this is not a Price Category item; contact Inside Sales for pricing.

"D" indicates discontinued.

## VITODENS 200-W B2HA Series

Model No.	Serial No.
B2HA 80 Boiler	7554705□□□□□□□□
B2HA 88 Boiler	7554706□□□□□□□□
B2HA 100 Boiler	7554707□□□□□□□□

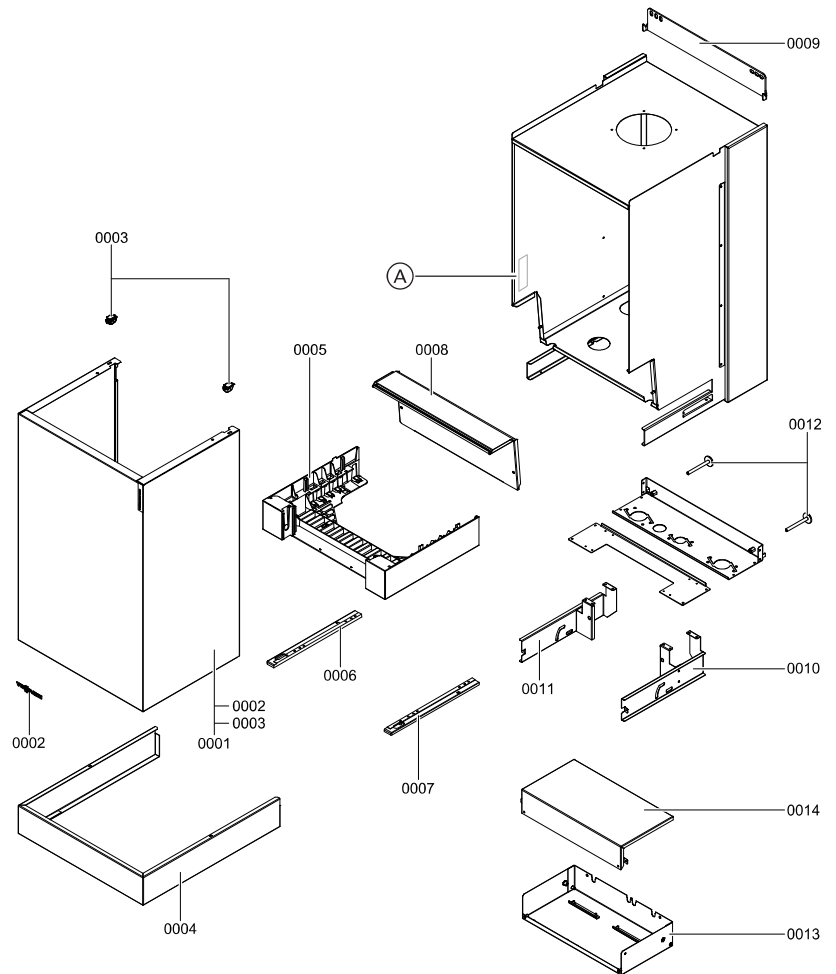
**Ordering Parts:**  
Please provide Model and Serial Number (A) when ordering replacement parts. Order replacement components from your Viessmann distributor.

### Parts for Main Enclosure Assembly

- 0001 Cover panel for boiler
- 0002 Nameplate "Viessmann"
- 0003 Mounting clip (set of 2)
- 0004 Cover panel for electronics
- 0005 Control housing
- 0006 Mounting rail, left
- 0007 Mounting rail, right
- 0008 Cover panel
- 0009 Wall-mount bracket
- 0010 Support bracket, right
- 0011 Support bracket, left
- 0012 Leveling bolt
- 0013 Electrical box
- 0014 Electrical box cover

### Other Parts (not illustrated)

- 0100 Installation Set \*1
- 0120 Technical Literature Set
- 0121 Installation Instructions, Vitodens 200-W
- 0122 Service Instructions, Vitodens 200-W
- 0123 Operating Instructions, Vitodens 200-W
- 0124 Parts List, Vitodens 200-W
- 0125 Parts List, Installation Set
- 0130 Installation Instructions, Coaxial Venting System
- 0131 Installation Instructions, Flexible Venting System
- 0140 Warranty Sheet
- 0150 Conversion kit NG > LP
- 0160 Touch-up spray paint "Vitowhite"
- 0161 Touch-up paint stick "Vitowhite"
- 0162 Lubricant 6g



6/2016

5685 738 02

\*1 For Installation Set please see separate Parts List.

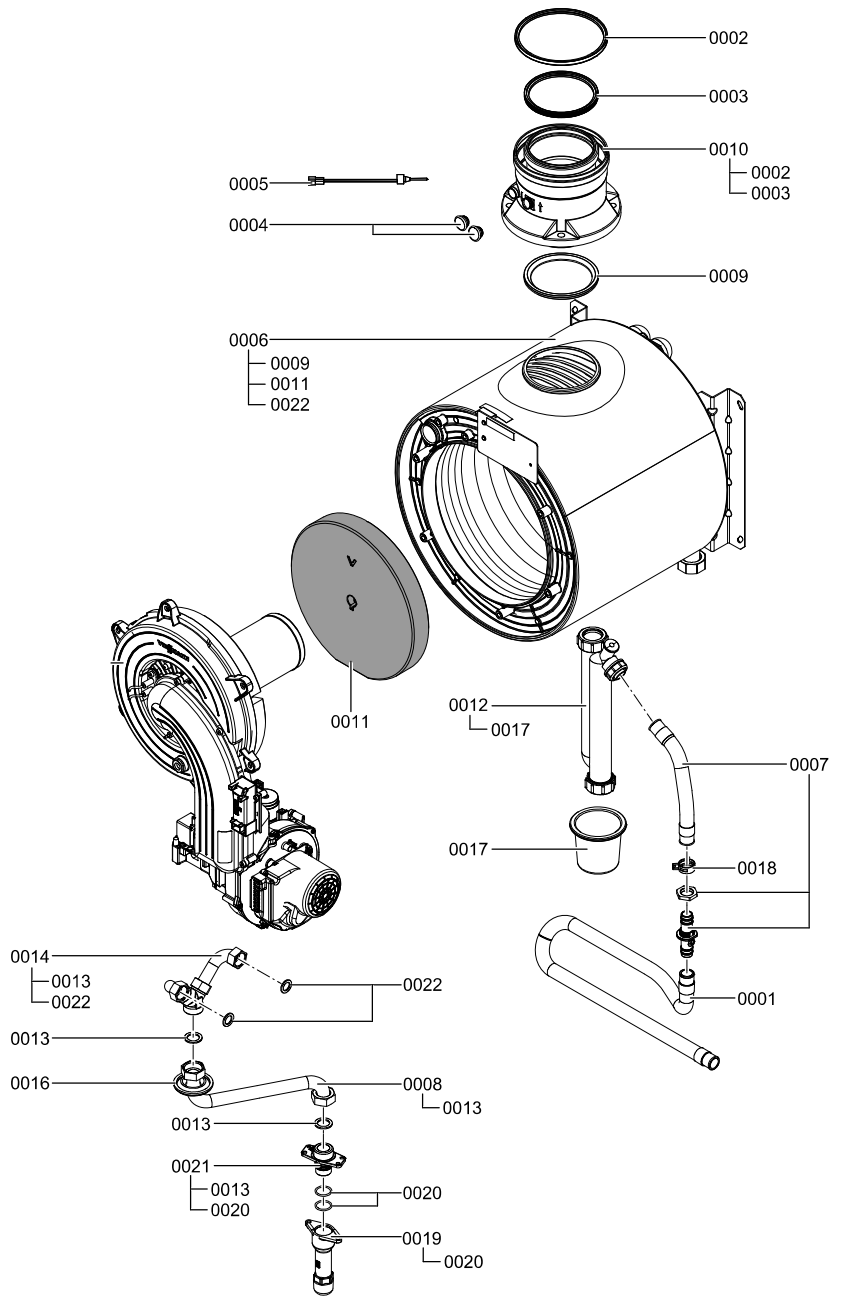
# VITODENS 200-W

## B2HA Series

Model No.	Serial No.
B2HA 80 Boiler	7554705□□□□□□□□
B2HA 88 Boiler	7554706□□□□□□□□
B2HA 100 Boiler	7554707□□□□□□□□

### Parts for Pressure Vessel Assembly

- 0001 Condensate flex hose, exit
- 0002 Gasket for air intake, d = 150mm
- 0003 Gasket for flue gas, d = 100mm
- 0004 Test port cap (set of 2)
- 0005 Flue gas sensor #15
- 0006 Heat exchanger assembly, ASME
- 0007 Condensate drain kit
- 0008 Gas distribution pipe 2
- 0009 Grommet for flue gas, DN110
- 0010 Vent pipe adaptor, 110/150
- 0011 Combustion chamber refractory
- 0012 P-trap
- 0013 Gasket, 21x30x2mm (set of 5)
- 0014 Gas distribution pipe 1
- 0016 Sealing grommet (each)
- 0017 Grommet for p-trap
- 0018 Pipe clamp DN25 (set of 5)
- 0019 Extension pipe 1" NPT for gas
- 0020 O-ring, 24x2.5mm (set of 5)
- 0021 Connector D21 for heating supply
- 0022 Gaskets NG/LP (set of 5)



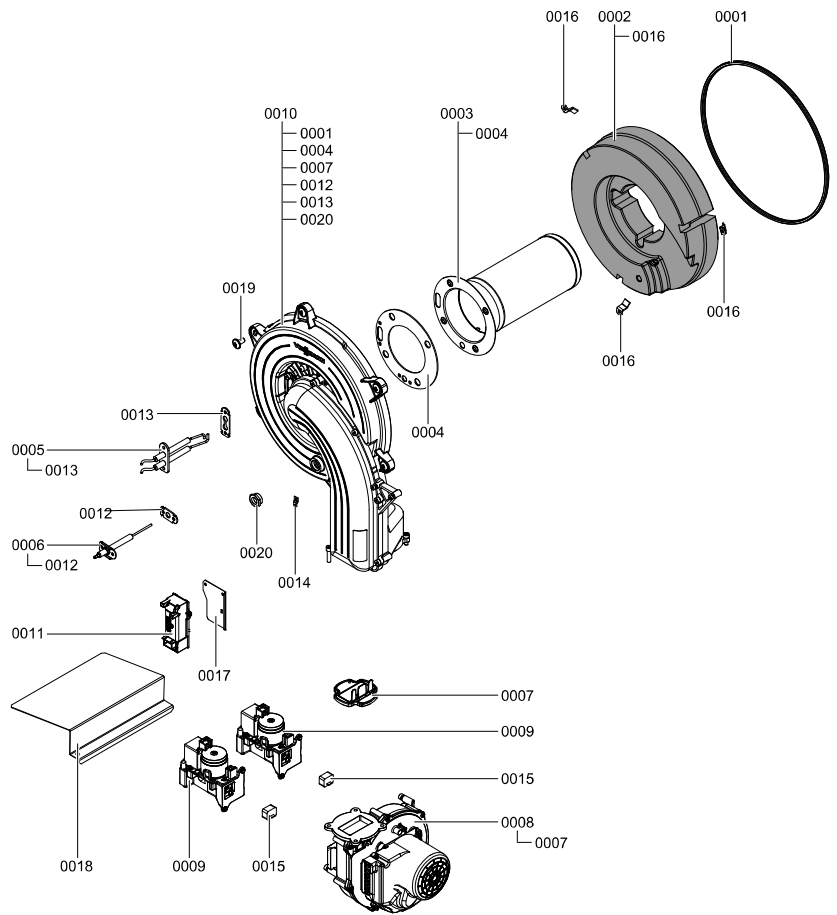
# VITODENS 200-W

## B2HA Series

Model No.	Serial No.
B2HA 80 Boiler	7554705□□□□□□□□
B2HA 88 Boiler	7554706□□□□□□□□
B2HA 100 Boiler	7554707□□□□□□□□

### Parts for Burner Assembly

- 0001 Burner gasket, 299x5.6mm
- 0002 Insulating ring
- 0003 Burner tube, NG/LP
- 0004 Gasket for burner tube
- 0005 Ignition electrode with gasket
- 0006 Ionization electrode with gasket
- 0007 Flapper
- 0008 Radial fan, RG148
- 0009 Gas valve, CES10 with gasket
- 0010 Burner mounting flange assembly
- 0011 Ignition module
- 0012 Gasket for ionization electrode
- 0013 Gasket for ignition electrode
- 0014 Ground terminal (set of 10)
- 0015 Orifice
- 0016 Bracket (set of 3)
- 0017 Mounting plate for ignition module
- 0018 Cover panel for gas valve
- 0019 Accessory pack,  
burner screws (set of 6)
- 0020 Sight glass



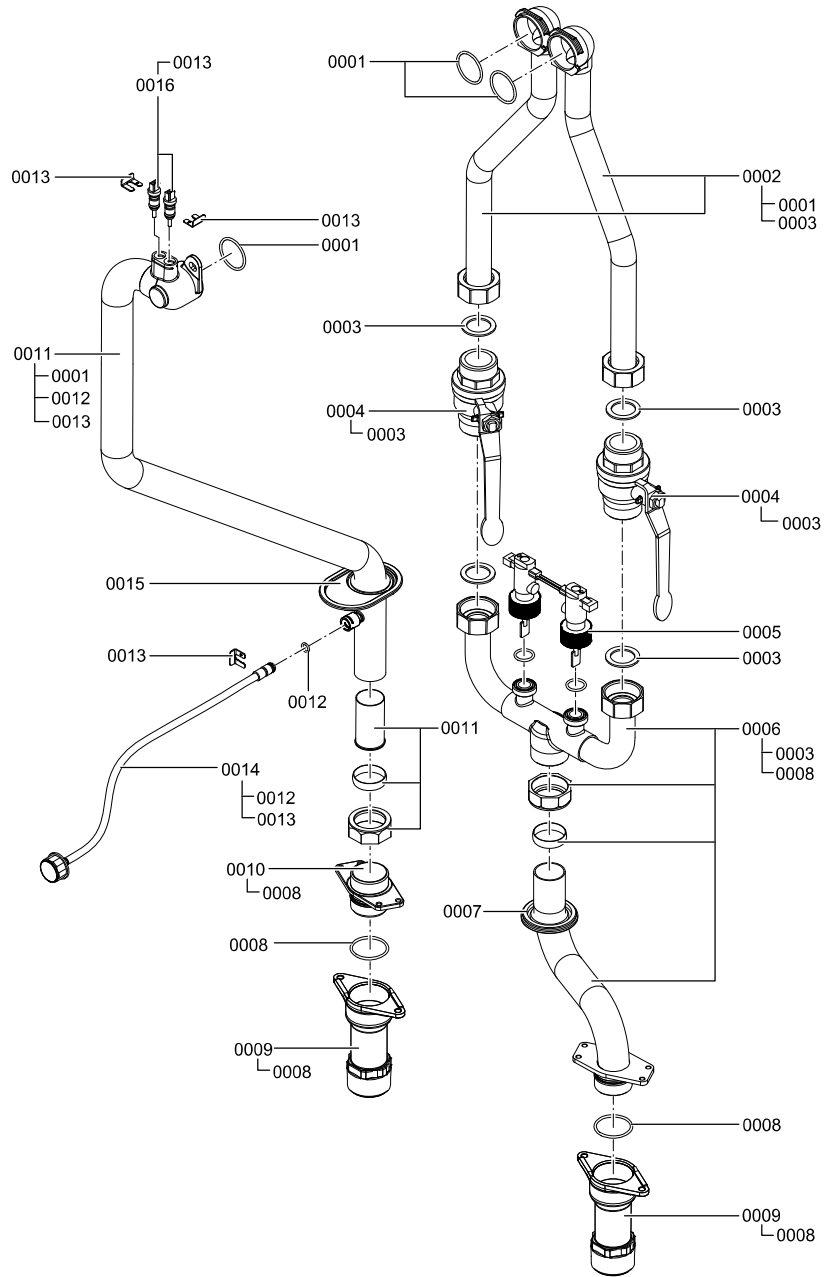
# VITODENS 200-W

## B2HA Series

Model No.	Serial No.
B2HA 80 Boiler	7554705□□□□□□□□
B2HA 88 Boiler	7554706□□□□□□□□
B2HA 100 Boiler	7554707□□□□□□□□

### Parts for Hydronic Assembly

- 0001 O-ring for heat exchanger (set of 3)
- 0002 Connection pipe 1 for heating return
- 0003 Gasket, 1 ¼ (set of 5)
- 0004 Ball valve with gasket for supply/return pipe
- 0005 Flow switch, VK332M
- 0006 Connection pipe 2 for heating return
- 0007 Sealing grommet, di = 28.0 w = 7
- 0008 O-ring for supply/return (set of 5)
- 0009 Extension pipe for supply/return
- 0010 Connector D32 for heating supply
- 0011 Heating supply connection pipe
- 0012 O-ring, 8x2mm (set of 5)
- 0013 Clip, d = 8mm (set of 5)
- 0014 Pressure gage (psi) with clip and gasket
- 0015 Sealing grommet, 60x30mm
- 0016 Boiler temperature sensor #3 (set of 2)



# VITODENS 200-W

## B2HA Series

Model No.	Serial No.
B2HA 80 Boiler	7554705□□□□□□□□
B2HA 88 Boiler	7554706□□□□□□□□
B2HA 100 Boiler	7554707□□□□□□□□

### Parts for Control Assembly

- 0001 Control console
- 0002 Control housing, rear
- 0003 Coding plug
- 0004 Fuse, T6.3A/250V (set of 10)
- 0005 Fuse holder
- 0007 Vitotronic 200 HO1B
- 0008 LON communication module
- 0009 Circuit board with LON module adaptor
- 0010 Cable harness X8/X9/ionization
- 0011 Cable harness 100/35/54/PE
- 0013 Counter plug, Neptune
- 0014 Strain relief (set of 10)
- 0015 Locking assembly (left/right)
- 0016 Outdoor temperature sensor #1 (NTC)
- 0017 Circuit board for expanded functions
- 0020 Power/pump control module
- 0021 Replacement extension module EA1
- 0022 Fuse, 2.0A/250V (set of 10)
- 0023 Harness set for power pump control module

