

### Features

- 7-7/16" (189 mm) diverter spout
- 11.0 gpm (41.6 lpm) maximum flow rate at 45 psi (3.1 bar)
- Remote-valve handle allows for ease of access
- Single lever handle allows for both on/off activation and temperature setting
- High-temperature limit setting for added safety
- MasterClean™ sprayface features an easy-to-clean surface that withstands mineral buildup
- KOHLER® ceramic disc valves exceed industry longevity standards for a lifetime of durable performance

### Material

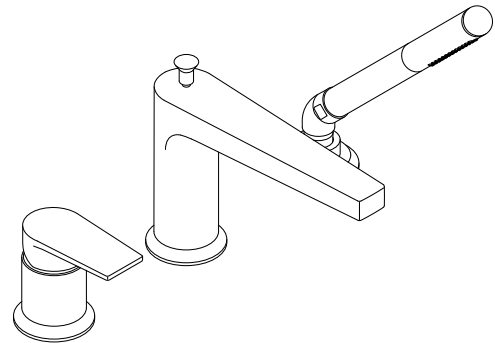
- Premium metal construction for durability and reliability
- KOHLER® finishes resist corrosion and tarnishing

### Installation

- Coordinates with Pitch® bath and shower trim
- Deck- or bath-mount

### Recommended Products/Accessories

K-23723 Faucet cleaner



### Codes/Standards


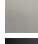

ASME A112.18.1/CSA B125.1  
DOE - Energy Policy Act 1992  
EPA WaterSense®  
California Energy Commission (CEC)

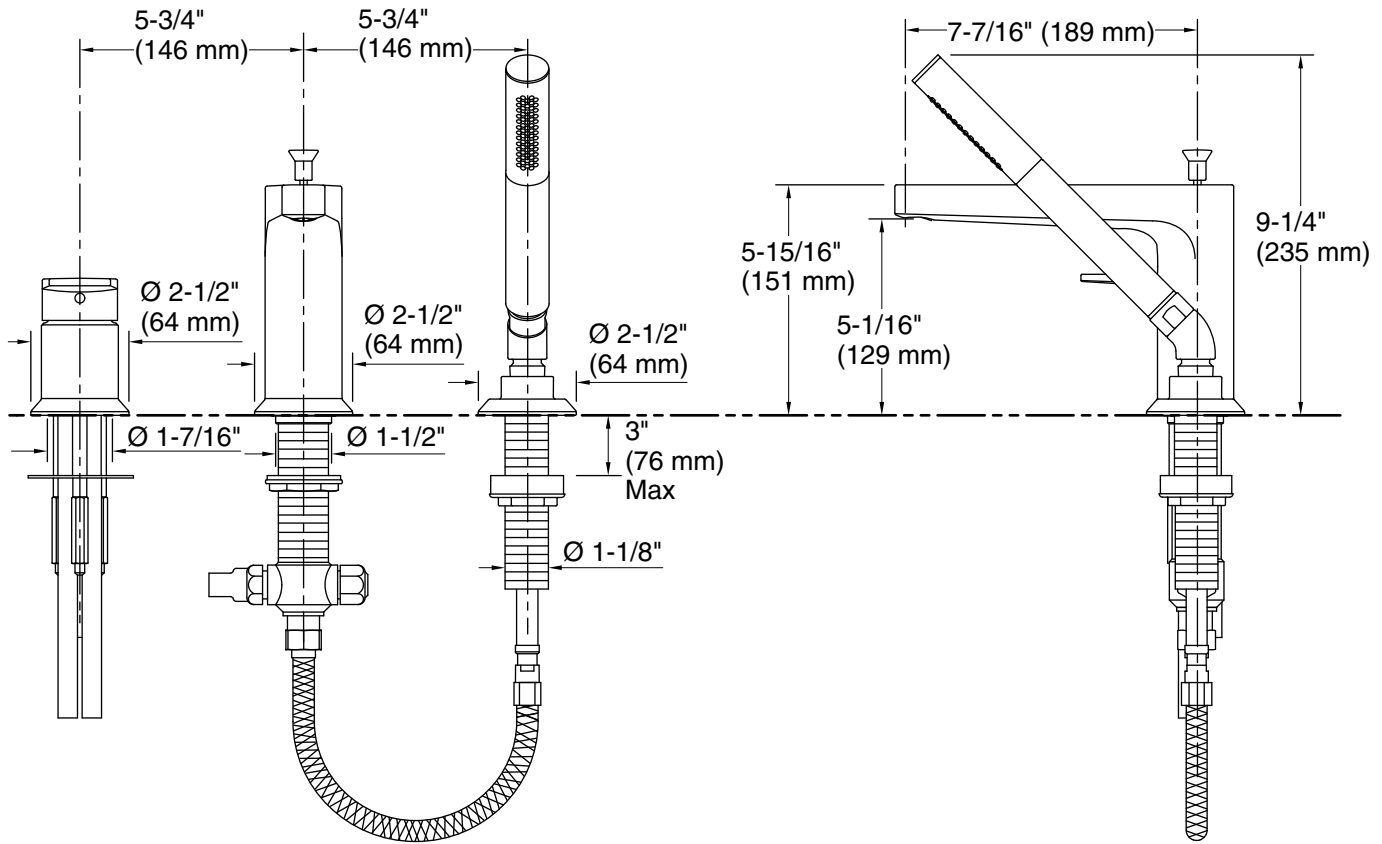
### KOHLER® Faucet Lifetime Limited Warranty

See website for detailed warranty information.

### Available Colors/Finishes

*Color tiles intended for reference only.*

Color	Code	Description
	CP	Polished Chrome
	BN	Vibrant® Brushed Nickel
	BL	Matte Black
	2MB	Vibrant® Brushed Moderne Brass



### Technical Information

All product dimensions are nominal.

#### Faucet:

Flow rate: 11 gal/min (41.6 l/min)

Pressure: 45 psi (3.1 bar)

Drain included: No

#### Spout:

Spout reach: 7-7/16" (189 mm)

#### Handshower:

Rated maximum flow: 1.75 gal/min (6.6 l/min)

Pressure: 45 psi (3.1 bar)

### Notes

Install this product according to the installation instructions.

**WARNING:** Risk of personal injury. Do not install the bath faucet in an area where it may inadvertently be used for support by the bather.