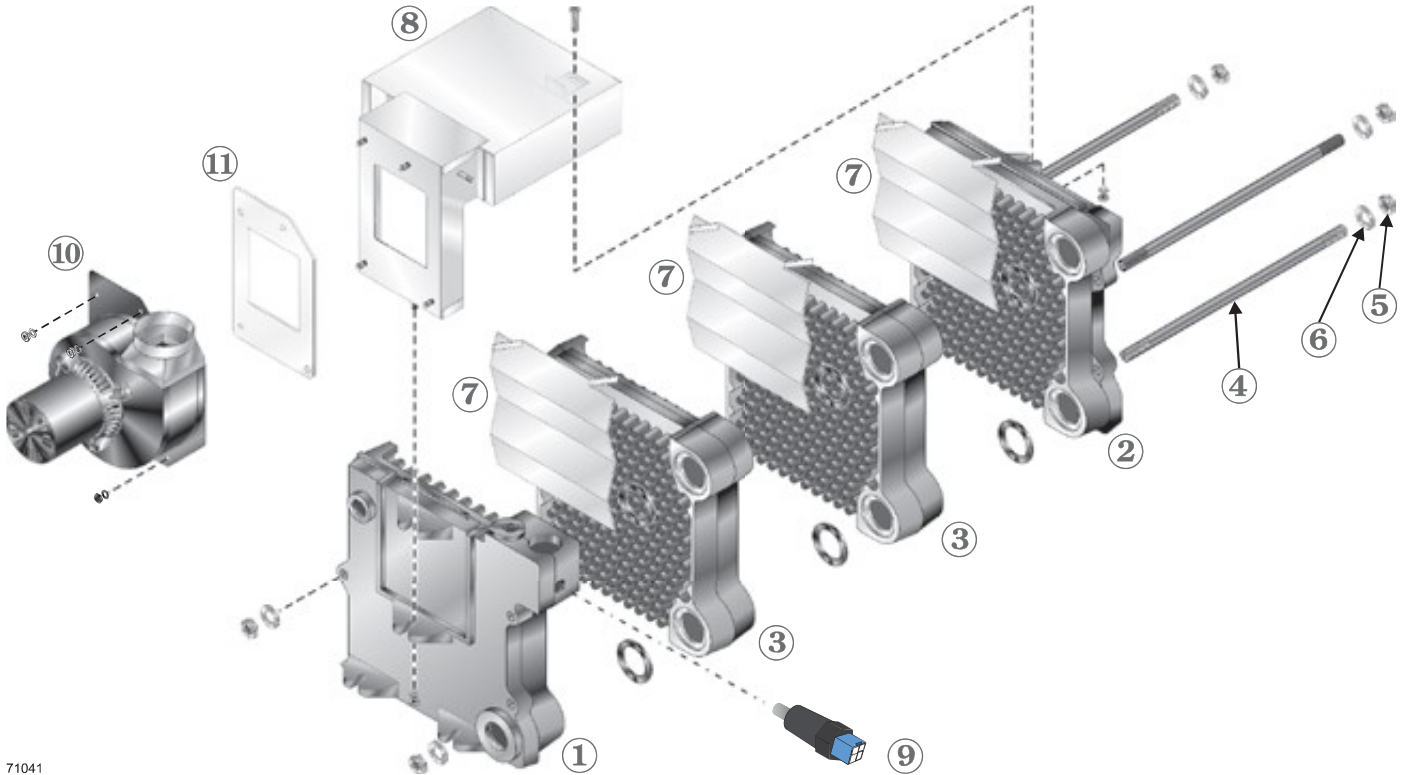


12b Replacement parts – section assembly

Figure 39 Section assembly



71041

Item	Description	Weil-McLain part number
1	End section, left hand, 51124	311-103-851
2	End section, right hand 51128	311-103-821
3	Intermediate section, 51127	311-103-845
not shown	Replacement section assembly	CGi-25 and CGi-3 321-114-360 CGi-4 321-114-361 CGi-5 321-114-362 CGi-6 321-114-363 CGi-7 321-114-364 CGi-8 321-114-365
not shown	Section replacement kit, includes seals and sealant for 1 joint	381-354-527
4	Tie rod, 7/16" without nut (3 per boiler):	CGi-25 and CGi-3 560-234-500 CGi-4 560-234-501 CGi-5 560-234-502 CGi-6 560-234-503 CGi-7 560-234-504 CGi-8 560-234-505
5	Nut, 7/16" (2 per tie rod)	561-928-235

Item	Description	Weil-McLain part number
6	Washer, 7/16" (1 per tie rod)	562-248-684
7	Radiation plate (1 per joint)	CGi 4-8 460-003-017
8	Collector hood and transition assembly	CGi-25 381-359-286 CGi-3 381-354-595 CGi-4 381-359-288 CGi-5 381-359-289 CGi-6 381-359-290 CGi-7 381-359-291 CGi-8 381-359-292
9	Temperature/LWCO Sensor	511-724-305
10	Inducer fan assembly kit, includes inducer fan assembly, gasket and nuts	CGi 25 & 3 381-354-588 CGi 4-6 381-359-293 CGi 7 & 8 381-359-294
11	Gasket, inducer	590-317-627

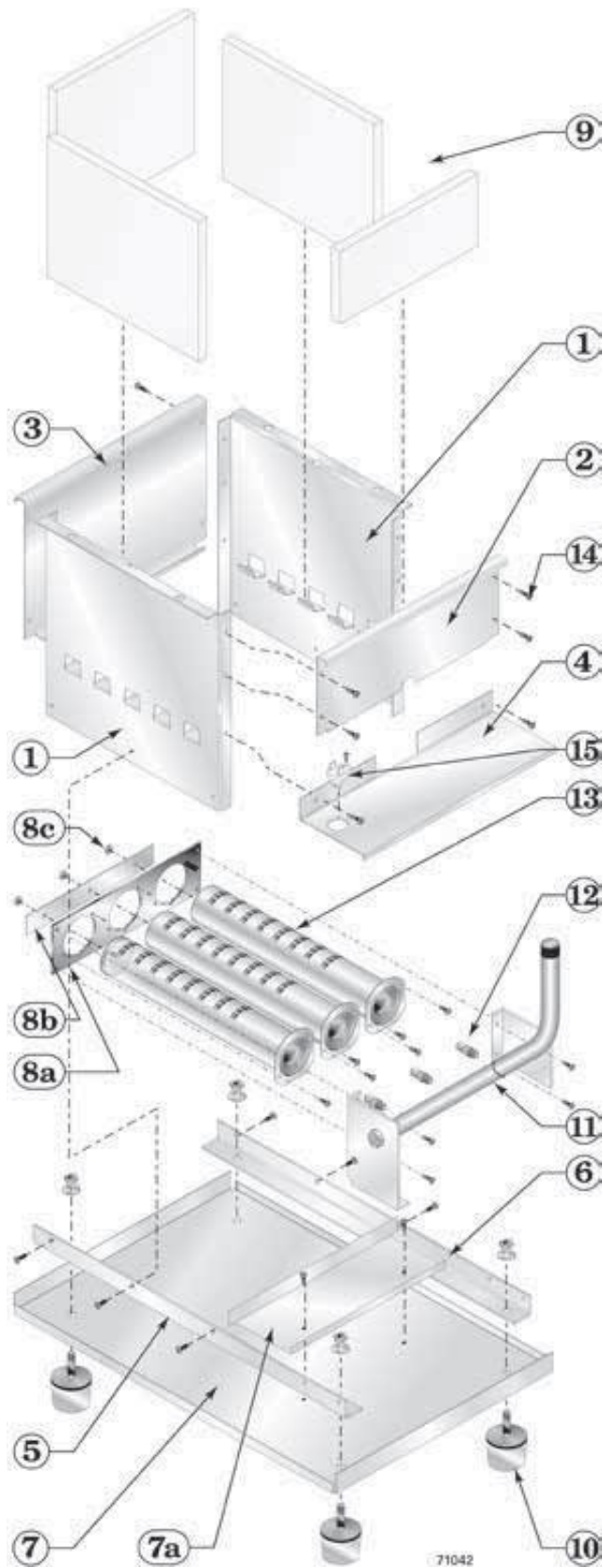
12c Replacement parts – base

Figure 40 Base assembly

Item	Description		Weil-McLain part number
	Base assembly kit (includes base panels items 1, 2, 3, 4, 5, 6 and 7)	CGi-25 & CGi-3 CGi-4 CGi-5 CGi-6 CGi-7 CGi-8	381-354-337 381-354-338 381-354-339 381-354-340 381-354-341 381-354-342
1	Base side panel (in Base assembly)		
2	Base front cross-tie assembly (in Base assembly)		
3	Base back cross-tie assembly (in Base assembly)		
4	Burner shield (in Base assembly)		
5	Base pan angle, left side (in Base assembly)		
6	Base pan angle, right side (in Base assembly)		
7	Base pan (in Base assembly)		
7a	Base pan air baffle (in Base assembly)		
8a	Burner mounting plate	CGi-25 & CGi-3 CGi-4 CGi-5 CGi-6 CGi-7 CGi-8	450-003-690 450-003-691 450-003-692 450-003-693 450-003-795 450-003-796
8b	Rear spacing strip	CGi-25 & CGi-3 CGi-4 CGi-5 CGi-6 CGi-7 CGi-8	550-320-160 550-320-161 550-320-162 550-320-163 550-320-164 550-320-165
8c	Nut, hex 5mm Zp		550-320-170
9	Base insulation kit	CGi-25 & CGi-3 CGi-4 CGi-5 CGi-6 CGi-7 CGi-8	381-354-330 381-354-331 381-354-332 381-354-333 381-354-334 381-354-335
10	Boiler leg kit		550-320-219
11	Manifold	CGi-25 & CGi-3 CGi-4 CGi-5 CGi-6 CGi-7 CGi-8	591-126-735 591-126-736 591-126-737 591-126-738 591-126-739 591-126-740
12	Main burner orifice — Natural gas, sea level (see Table 2, page 12 for orifice size) CGi-25 CGi-3 - CGi-5 CGi-6 - CGi-8 Main burner orifice — Liquefied Petroleum (Propane) gas, sea level (see Table 2, page 12 for orifice size) CGi-25 CGi-3 - CGi-5 CGi-6 - CGi-8		560-529-090 560-529-126 560-529-077 560-529-084 560-529-111 560-529-078
13	Burner		512-200-076
14	Screw, 10-32 x 0.38 STP type 23 hex, washer head slot		562-135-710
15	Rollout thermal fuse element		512-050-230



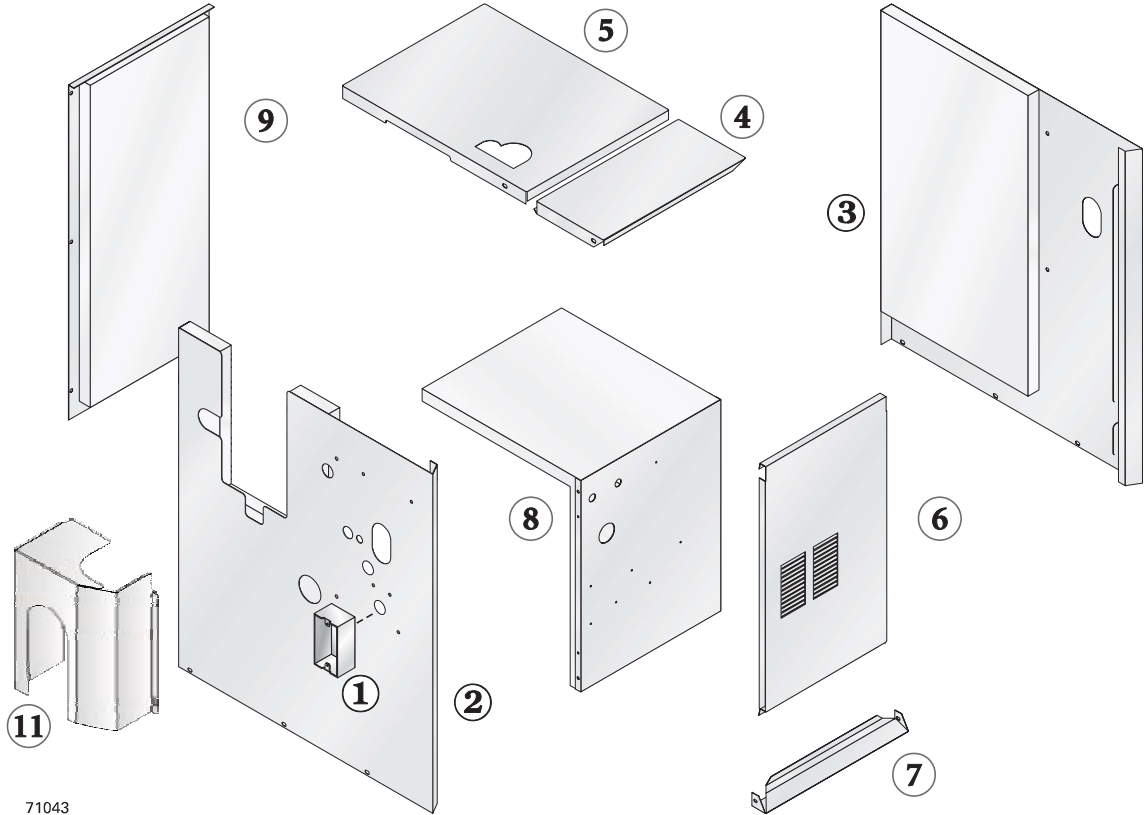
12c Replacement parts – base (continued)





12d Replacement parts — jacket

Figure 41 Jacket assembly



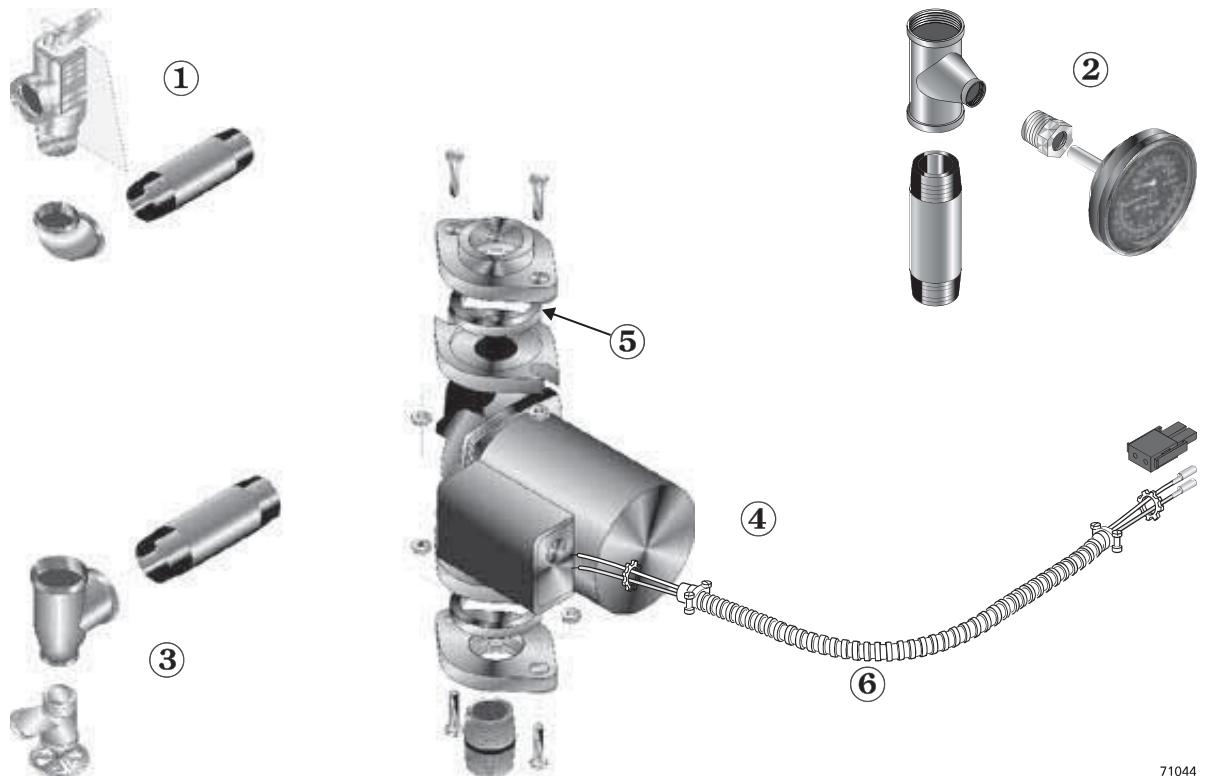
71043

	1	2		3	4	5	
	Junction box, 2 x 4	Panel, left side, with insulation		Panel, right side, with insulation	Panel, top front, with insulation	Panel, top rear, with insulation	
Boiler Model		Natural Gas	Propane Gas				Boiler Model
	Weil-McLain part number						
CGi-25	(Available at local supply house)	381-359-215	381-359-222	381-359-229	381-359-230	381-359-242	CGi-25
CGi-3		381-359-216	381-359-223	381-359-229	381-359-230	381-359-242	CGi-3
CGi-4		381-359-217	381-359-224	381-359-229	381-359-231	381-359-243	CGi-4
CGi-5		381-359-218	381-359-225	381-359-229	381-359-232	381-359-244	CGi-5
CGi-6		381-359-219	381-359-226	381-359-229	381-359-233	381-359-245	CGi-6
CGi-7		381-359-220	381-359-227	381-359-229	381-359-234	381-359-246	CGi-7
CGi-8		381-359-221	381-359-228	381-359-229	381-359-235	381-359-247	CGi-8
Boiler Model		6	7	8	9	10	11
	Panel, door	Cross tie, bottom front	Panel, interior, with insulation	Panel, rear, with insulation	Not shown — touch-up paint	Blower cover	
Weil-McLain part number							
CGi-25	381-359-254	381-359-260	381-359-266	381-359-272	381-359-278 Cloud	381-359-200	CGi-25
CGi-3	381-359-254	381-359-260	381-359-266	381-359-272			CGi-3
CGi-4	381-359-255	381-359-261	381-359-267	381-359-273	CGi-4		
CGi-5	381-359-256	381-359-262	381-359-268	381-359-274	384-000-141		CGi-5
CGi-6	381-359-257	381-359-263	381-359-269	381-359-275	Slate	CGi-6	
CGi-7	381-359-258	381-359-264	381-359-270	381-359-276		CGi-7	
CGi-8	381-359-259	381-359-265	381-359-271	381-359-277	Optional	CGi-8	



12e Replacement parts – trim

Figure 42 Trim assembly



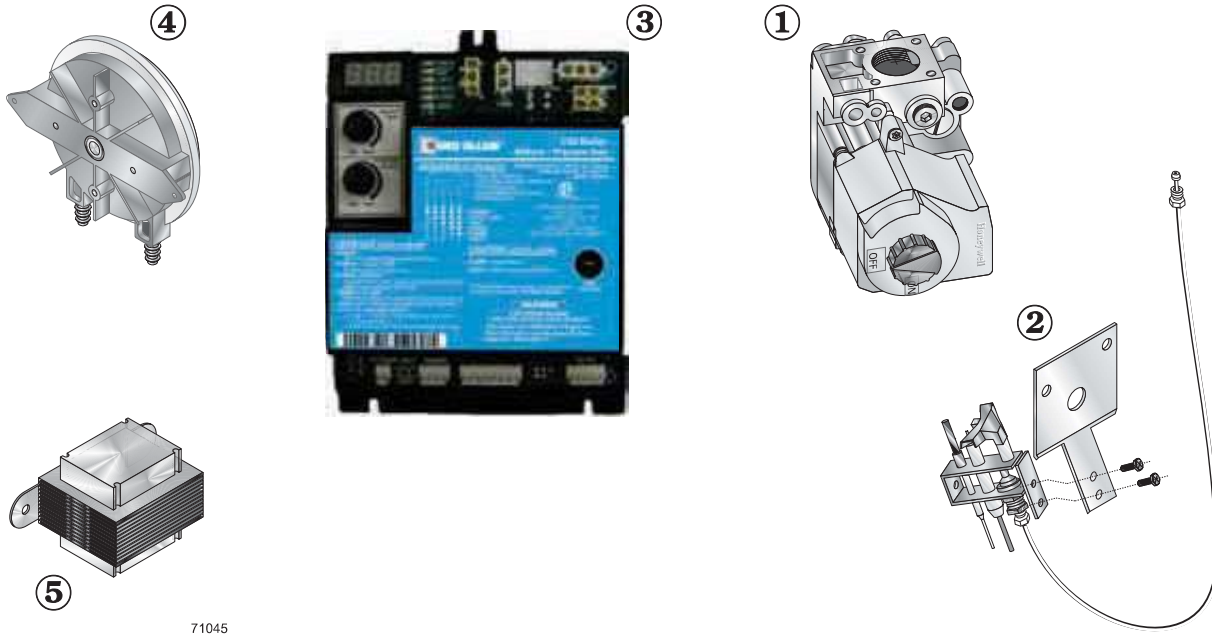
71044

Item number	Description	Weil-McLain part number
1	Pressure relief valve, ASME, 30 PSIG, 3/4" male inlet	511-546-920
	Pressure relief valve, ASME, 30 PSIG, 3/4" female inlet <i>(Fittings shown are factory-installed on boiler.)</i>	511-546-924
2	Combination pressure-temperature gauge, 3 1/8" diameter, short shank <i>(Fittings shown are shipped loose with boiler.)</i>	380-000-000
3	Drain valve, 3/4" <i>(Fittings shown are included with boiler.)</i>	511-210-423
		511-246-392
		511-246-392
4	Circulator <i>(Fittings shown are shipped loose with boiler.)</i>	CGi-25 through CGi-5 511-405-153
		CGi-6 through CGi-8 511-405-113
5	Circulator gasket, universal (2 per boiler)	590-317-535
not shown	Circulator hardware kit, includes: 1 flange, 2 nuts, 2 screws, 1 gasket —	
	3/4" NPT — CGi-25	381-354-530
	1" NPT — CGi-3 through CGi-5	381-354-525
	1 1/4" NPT — CGi-6 and CGi-7	381-354-526
	1/2" NPT — CGi-8	381-354-531
6	Circulator wiring harness kit, with Molex <i>(loose)</i>	381-356-528



12f Replacement parts – controls

Figure 43 Gas control assembly



71045

Item number	Description	Boiler model	Weil-McLain part number
Natural gas components			
1	Gas valve, 1/2" x 1/2"	CGi-25 thru -6	511-044-381 511-044-381
	Gas valve, 3/4" x 3/4"	CGi-7 & CGi-8	511-044-353 511-044-353
2	Pilot kit w/orifice & aluminum pilot gas tubing		511-330-080
Propane gas components			
1	Gas valve, 1/2" x 1/2"	CGi-25 thru -6	511-044-354 511-044-354
	Gas valve, 3/4" x 3/4"	CGi-7 & CGi-8	511-044-355 511-044-355
2	Pilot kit w/orifice & aluminum pilot gas tubing		511-330-081
Natural gas and propane gas components			
3	Control module		381-330-040
not shown	Wiring harness - Controls to control module		591-391-978
4	Air pressure switch	CGi-25 CGi-3 CGi-4 CGi-5 CGi-6 CGi-7 CGi-8	381-359-280 381-359-280 381-359-281 381-359-282 381-359-283 381-359-284 381-359-285
5	Control transformer		381-356-578
not shown	Tubing, air pressure switch, 0.12 I.D. silicone red, to collector hood white, to transition		590-317-650 590-317-651
not shown	Wiring harness - J-box to control module		591-391-975
not shown	Wiring harness - Thermostat		591-392-006
not shown	Wiring harness - Water Temperature Sensor		591-391-995
not shown	Wiring harness - Inducer motor to control module		591-391-980