

Features

- Column lets you customize your shower with a showerhead and handshower
- Designed for new installations or retrofit to replace an existing installed shower arm
- Diverter at base of column makes for easy toggling between handshower and showerhead
- Slidebar bracket allows you to adjust the height and angle of the handshower
- Showerhead, handshower, and shower hose are sold separately to allow for customized decor and functionality



Material

- KOHLER® finishes resist corrosion and tarnishing
- Premium metal construction for durability and reliability

Installation

- Wall-mount bath or shower installation
- Installs in less than 60 minutes without changes to in-wall plumbing (subject to condition of existing installation)
- May require additional service parts based on installation type (see installation guide for details)
- Includes an adapter that will fit with most installations but may require one or more kits (sold separately)
- Includes an adapter that will fit with most installations but may require K-1194630, K-1187917 or K-1194302

Adapters, Rough-in and Extension Kits

1194630	Range: 2-7/8" (73 mm) - 4" (102 mm)
1187917	Range: 0" (0 mm) - 1-3/8" (35 mm)
1194302	Range: 1-1/4" (32 mm) - 2-1/4" (57 mm)

Recommended Products/Accessories

K-23723 Faucet cleaner

ADA

Codes/Standards

ASME A112.18.1/CSA B125.1
ADA
IAPMO Certification

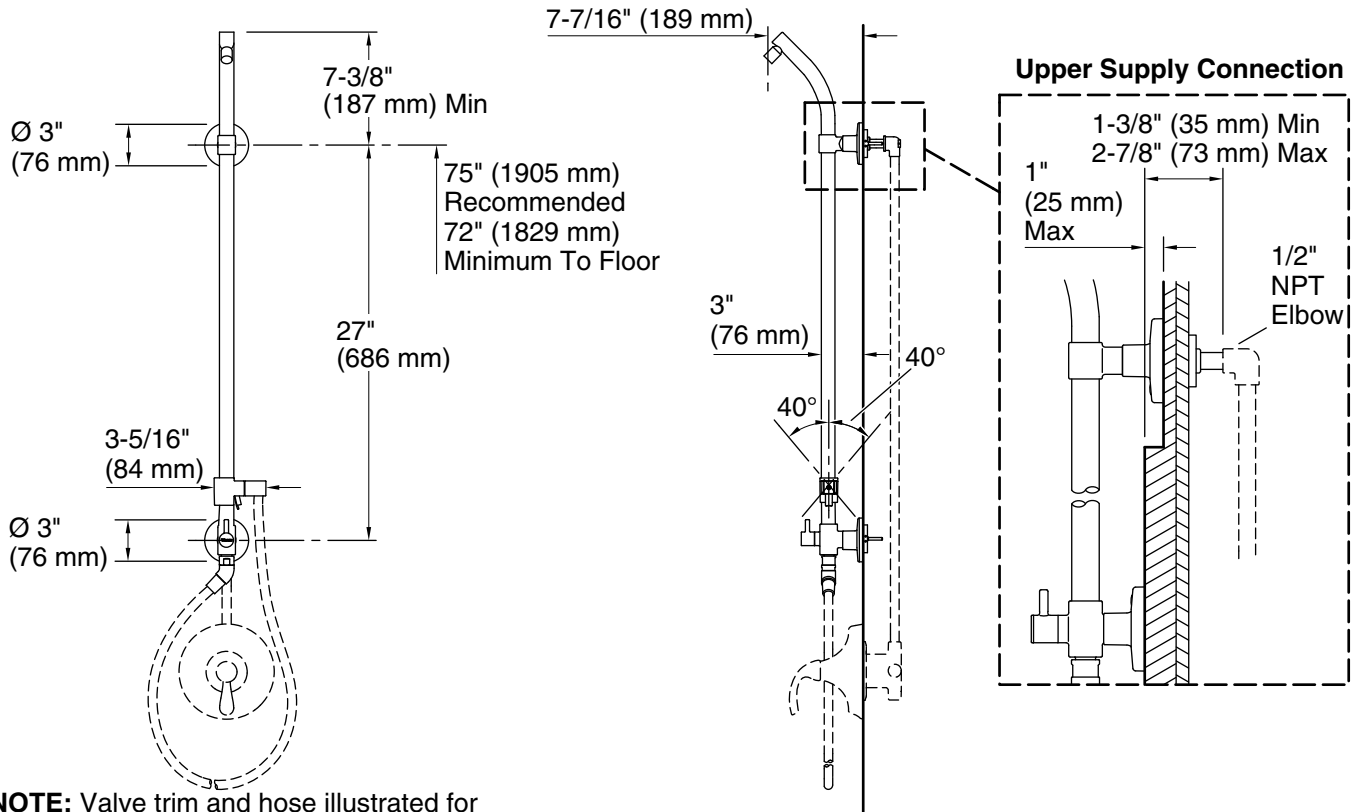
KOHLER® Faucet Lifetime Limited Warranty

See website for detailed warranty information.

Available Colors/Finishes

Color tiles intended for reference only.

Color	Code	Description
	CP	Polished Chrome
	SN	Vibrant® Polished Nickel
	BN	Vibrant® Brushed Nickel
	BV	Vibrant® Brushed Bronze
	2BZ	Oil-Rubbed Bronze
	BL	Matte Black
	2MB	Vibrant® Brushed Moderne Brass



NOTE: Valve trim and hose illustrated for dimensioning only, not included in the product.

Technical Information

All product dimensions are nominal.

Drain included: No

Notes

Install this product according to the installation guide.

Order deep roughing-in kit 1194630 if the distance from the elbow to the finished wall surface is between 2-7/8" (73 mm) to 4" (102 mm).

Order shallow roughing-in kit 1187917 if the distance from the elbow to the finished wall surface is less than 1-3/8" (35 mm).

A 3" (76 mm) escutcheon/mounting collar is supplied to fit a 1" (25 mm) to 1-1/4" (32 mm) supply connection hole diameter. Order 1194302 large escutcheon/mounting collar kit if the supply connection hole diameter is between 1-1/4" (32mm) to 2-1/4" (57 mm).

ADA compliant for shower-only installations.

ADA compliant when installed to the specific requirements of these regulations.