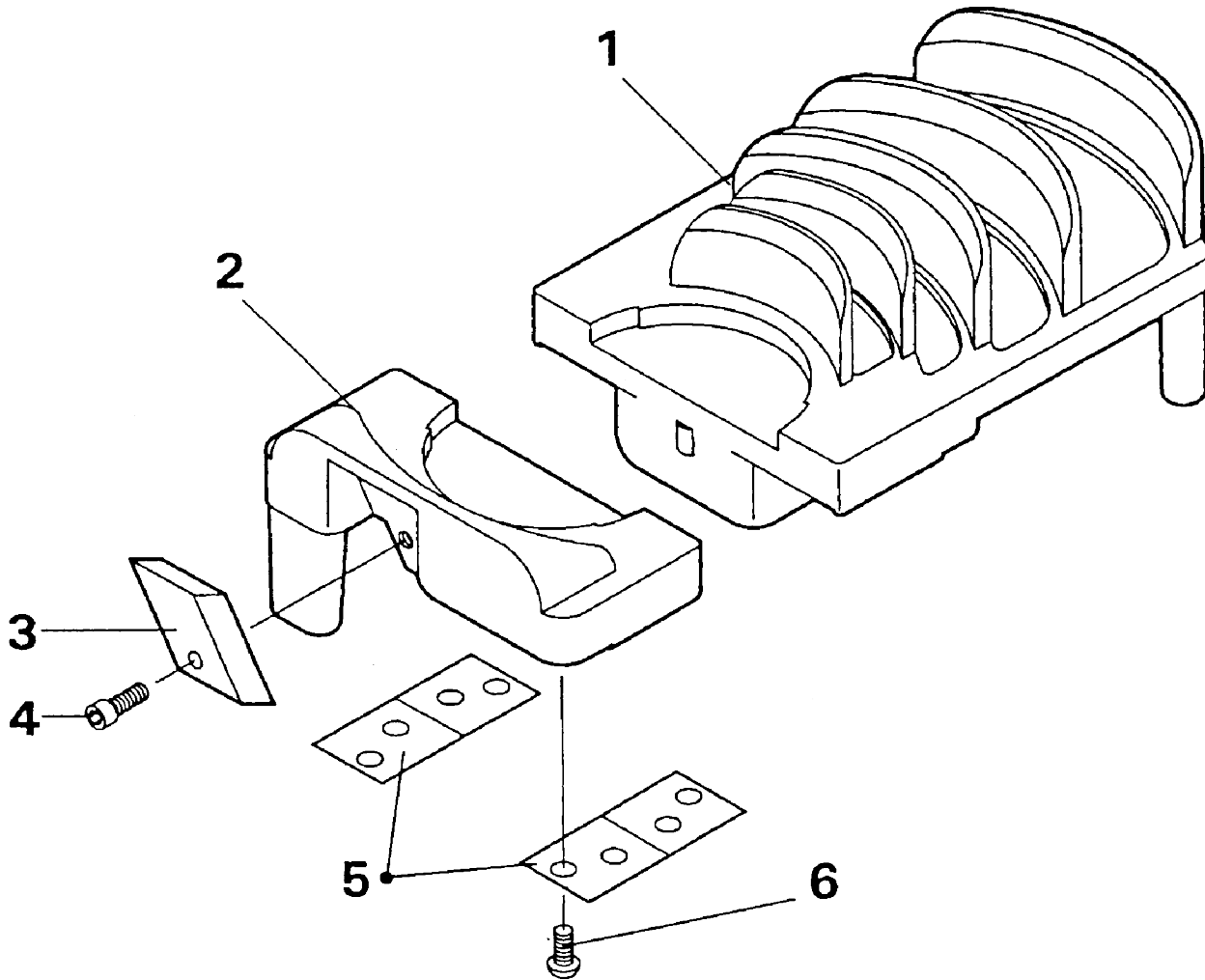




PIPE TOOLS & VISES  
SINCE 1896

# DEB4 Deburring Tool

## Replacement Parts



### Parts List

Ref. No.	Description	Item Code	Qty.
1	BODY	94089	1
2	CUTTING HEAD	94090	1
3	BLADE	94430	1
4	CAP SCREW FOR BLADE	30105	1
5	SPRING	40188	2
6	MACHINE SCREWS	30106	8