



# Single Mode Shower Head, 4-141

## Specification Submittal



### Feature Highlights

- Single mode shower head with full drenching spray
- Self cleaning
- Flood or mist spray
- Standard 1/2 inch female ball-joint connection
- Standard flow rate is 2.5 gpm (9.5 L/min)

### Warranty

- Limited Lifetime - to the original end purchaser in residential / consumer installations.
- 5 years - for commercial installations

### Standards / Certifications

- ASME A112.18.1/CSA B125.1
- WaterSense 2.0 gpm (7.6 L/min)  
1.5 gpm (5.7 L/min)



### Options / Modifications

Append appropriate -suffix to model number.

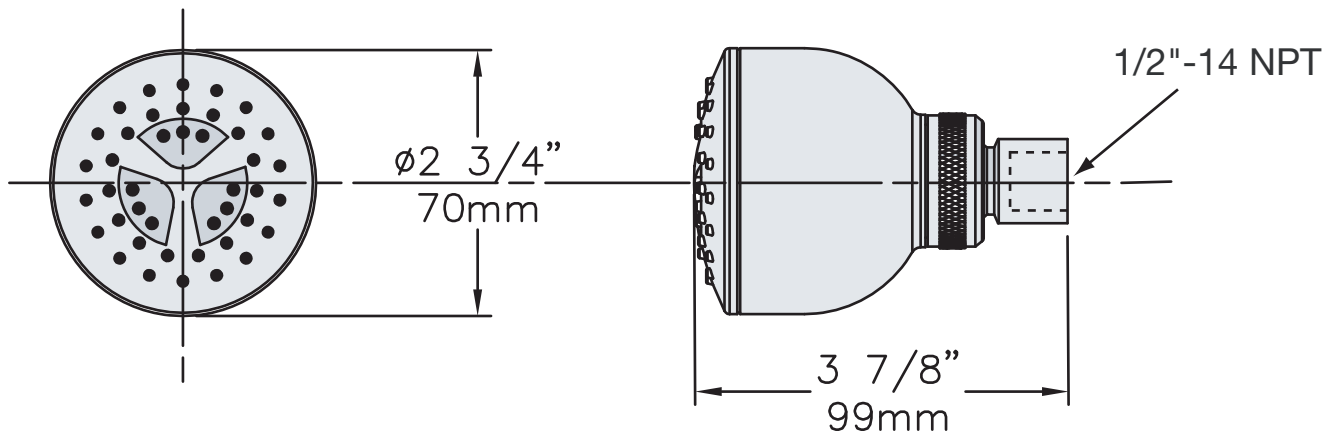
- 2.0 2.0 (7.6 L/min) Flow rate restrictor
- 1.75 1.75 (6.6 L/min) Flow rate restrictor
- 1.5 1.5 (5.7 L/min) Flow rate restrictor

### Finish Options / Modifications

Append appropriate -suffix to model number.

- STN Satin nickel

### Dimensions Shower Head, 4-141



**Note:** Dimensions subject to change without notice.

Symmons Industries, Inc. ■ 31 Brooks Drive ■ Braintree, MA 02184  
 Phone: (800) 796-6667 ■ Fax (800) 961-9621  
 Website: symmons.com ■ Email: gethelp@symmons.com

Copyright © 2017 Symmons Industries, Inc. ■ ZV-1743 REV A ■ 061217

