



Landshapes® by Daniel Arsham

21-1/2" oval vessel bathroom sink, no overflow
K-32300

Features

- Designed in collaboration with Daniel Arsham
- Asymmetrical oval basin
- No faucet holes; requires wall- or counter-mount faucet
- Color-matched vitreous china drain cover
- No overflow
- Coordinates with other products in the Landshapes™ by Daniel Arsham collection

Material

- Vitreous china

Installation

- Vessel

Required Products/Accessories

K-7108 Decorative Drain

or

K-7107 Decorative Drain

or

K-7129 Drain

Recommended Products/Accessories

K-32307 31" Dekton® vanity top

K-T77981-CLG Wall-mount bathroom sink faucet handle trim

K-5401-DA One-piece elongated smart toilet, dual-flush

K-32131 69-1/2" x 34-1/2" freestanding bath

K-32693-SCLED One-light LED sconce

K-32694-SCLED One-light LED sconce

K-32695-PELED 14-3/4" pendant



Codes/Standards

ASME A112.19.2/CSA B45.1

KOHLER® Vitreous China Bathroom Sink Lifetime Limited Warranty

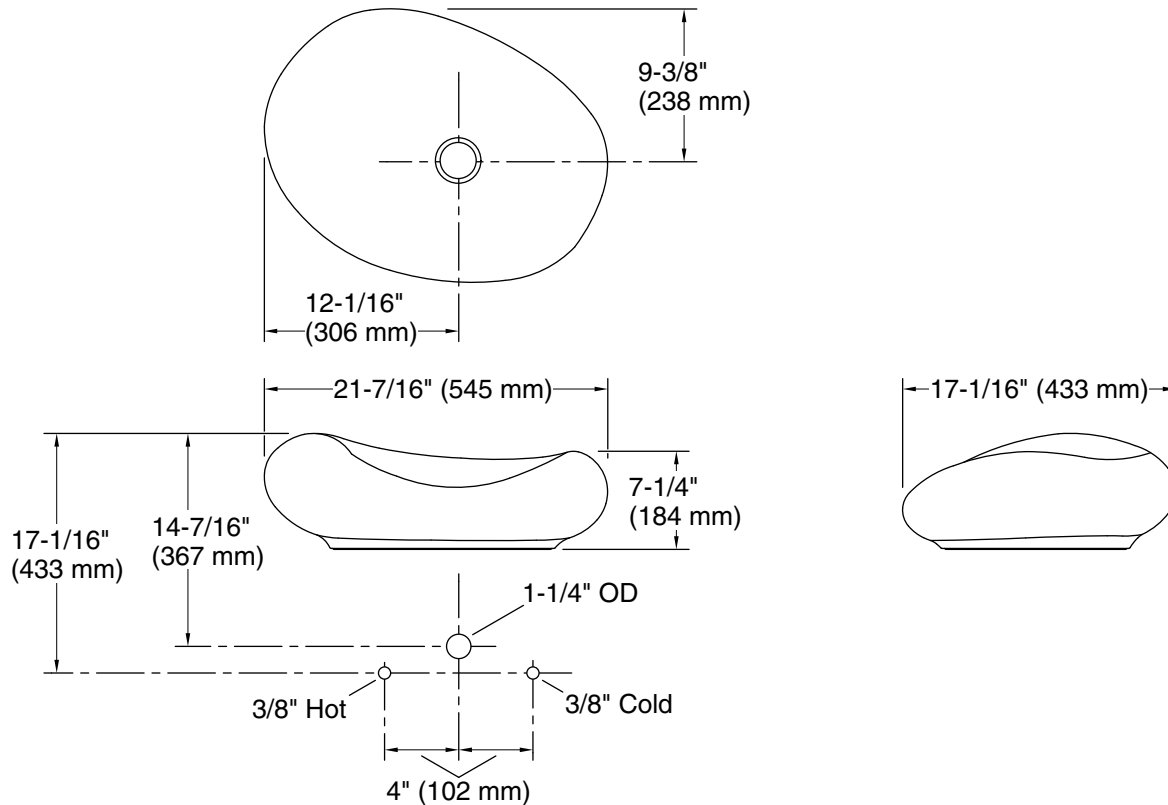
See website for detailed warranty information.

Available Colors/Finishes

Color tiles intended for reference only.

Color	Code	Description
-------	------	-------------

	0	White
---	---	-------



Technical Information

All product dimensions are nominal.

Basin configuration:	Single Bowl
Cutout:	Top-mount, 4" x 4" (102 mm x 102 mm) with 2" (51 mm) radius corners
Min. base cabinet width:	25" (635 mm)
Bowl area (Basin #1):	Length: 15" (381 mm) Width: 10" (254 mm) Bowl depth: 2-13/16" (71 mm) Water depth: 2-13/16" (71 mm)
With overflow:	No
Drain hole:	1-3/4" (44 mm)
Template:	Top-mount, 1609669-7, required, included

Notes

Install this product according to the installation instructions.

"NOTICE: Countertop manufacturer or cutter must use the current product template available at www.kohler.com or by calling 1-800-4KOHLER. Kohler Co. is not responsible for cutout errors when the incorrect cut-out template is used."

If installing the Landshapes™ by Daniel Arsham vanity, vanity top, and vessel sink together, the bathroom sink drain outlet must be installed 28" (711 mm) or higher from the floor.

Product dimensions are nominal and may vary per ASME A112.19.2 tolerances.